

NOTICE!!

These documents have been scanned!

Do not place un-scanned documents beneath this notice!

Do not remove this notice from this file!

GPO Jacket No. 560-102
Print Order 61540
Rise Business Services, LLC
Job=AZ15 5/16/2019



Box Number= AZ15056



Claim Begin-End: AMC409992-AMC410047

1 Initial Receipt



AZ15056-8 AMC409378-AMC410492

United States Department of the Interior
 Bureau of Land Management
 LANDS/RECREATION & PLANNING
 ONE N CENTRAL AVE
 PHOENIX, AZ 85004 -2203
 Phone: 602-417-9200

Receipt

No:

2402341

Transaction #: 2477563	ENTERED INTO COMPUTER	AUG 24 2011
Date of Transaction: 08/11/2011		<i>cm</i>
CUSTOMER:		
UMED HOLDINGS INC 119 WOODSTREAM CT CRESSON, TX 76035-5681 US		

LINE #	QTY	DESCRIPTION	REMARKS	UNIT PRICE	TOTAL
1	56.00	LOCATABLE MINERALS / MINING CLAIMS- NEW, UNADJUD, ONE OR MORE AUTH NOS / NEW MINING CLAIM LOCATION FEE \$34 CASES: AMC409992/\$34.00, AMC409993/\$34.00, AMC409994/\$34.00, AMC409995/\$34.00, AMC409996/ \$34.00, AMC409997/\$34.00, AMC409998/\$34.00, AMC409999/\$34.00, AMC410000/\$34.00, AMC410001/ \$34.00, AMC410002/\$34.00, AMC410003/\$34.00, AMC410004/\$34.00, AMC410005/\$34.00, AMC410006/ \$34.00, AMC410007/\$34.00, AMC410008/\$34.00, AMC410009/\$34.00, AMC410010/\$34.00, AMC410011/ \$34.00, AMC410012/\$34.00, AMC410013/\$34.00, AMC410014/\$34.00, AMC410015/\$34.00, AMC410016/ \$34.00, AMC410017/\$34.00, AMC410018/\$34.00, AMC410019/\$34.00, AMC410020/\$34.00, AMC410021/ \$34.00, AMC410022/\$34.00, AMC410023/\$34.00, AMC410024/\$34.00, AMC410025/\$34.00, AMC410026/ \$34.00, AMC410027/\$34.00, AMC410028/\$34.00, AMC410029/\$34.00, AMC410030/\$34.00, AMC410031/ \$34.00, AMC410032/\$34.00, AMC410033/\$34.00, AMC410034/\$34.00, AMC410035/\$34.00, AMC410036/ \$34.00, AMC410037/\$34.00, AMC410038/\$34.00, AMC410039/\$34.00, AMC410040/\$34.00, AMC410041/ \$34.00, AMC410042/\$34.00, AMC410043/\$34.00, AMC410044/\$34.00, AMC410045/\$34.00, AMC410046/ \$34.00, AMC410047/\$34.00		- n/a -	1904.00
		LOCATABLE MINERALS / MINING CLAIMS- NEW, UNADJUD, ONE OR MORE AUTH NOS / NEW MINING CLAIM PROCESSING FEE \$15 CASES: AMC409992/\$15.00, AMC409993/\$15.00, AMC409994/\$15.00, AMC409995/\$15.00, AMC409996/ \$15.00, AMC409997/\$15.00, AMC409998/\$15.00, AMC409999/\$15.00, AMC410000/\$15.00, AMC410001/ \$15.00, AMC410002/\$15.00, AMC410003/\$15.00, AMC410004/\$15.00, AMC410005/\$15.00, AMC410006/ \$15.00, AMC410007/\$15.00, AMC410008/\$15.00, AMC410009/\$15.00, AMC410010/\$15.00, AMC410011/ \$15.00, AMC410012/\$15.00, AMC410013/\$15.00, AMC410014/\$15.00, AMC410015/\$15.00, AMC410016/ \$15.00, AMC410017/\$15.00, AMC410018/\$15.00, AMC410019/\$15.00, AMC410020/\$15.00, AMC410021/ \$15.00, AMC410022/\$15.00, AMC410023/\$15.00, AMC410024/\$15.00, AMC410025/\$15.00, AMC410026/ \$15.00, AMC410027/\$15.00, AMC410028/\$15.00, AMC410029/\$15.00, AMC410030/\$15.00, AMC410031/ \$15.00, AMC410032/\$15.00, AMC410033/\$15.00, AMC410034/\$15.00, AMC410035/\$15.00, AMC410036/ \$15.00, AMC410037/\$15.00, AMC410038/\$15.00, AMC410039/\$15.00, AMC410040/\$15.00, AMC410041/ \$15.00, AMC410042/\$15.00, AMC410043/\$15.00, AMC410044/\$15.00, AMC410045/\$15.00, AMC410046/ \$15.00, AMC410047/\$15.00			

2	56.00	\$15.00, AMC410002/\$15.00, AMC410003/\$15.00, AMC410004/\$15.00, AMC410005/\$15.00, AMC410006/ \$15.00, AMC410007/\$15.00, AMC410008/\$15.00, AMC410009/\$15.00, AMC410010/\$15.00, AMC410011/ \$15.00, AMC410012/\$15.00, AMC410013/\$15.00, AMC410014/\$15.00, AMC410015/\$15.00, AMC410016/ \$15.00, AMC410017/\$15.00, AMC410018/\$15.00, AMC410019/\$15.00, AMC410020/\$15.00, AMC410021/ \$15.00, AMC410022/\$15.00, AMC410023/\$15.00, AMC410024/\$15.00, AMC410025/\$15.00, AMC410026/ \$15.00, AMC410027/\$15.00, AMC410028/\$15.00, AMC410029/\$15.00, AMC410030/\$15.00, AMC410031/ \$15.00, AMC410032/\$15.00, AMC410033/\$15.00, AMC410034/\$15.00, AMC410035/\$15.00, AMC410036/ \$15.00, AMC410037/\$15.00, AMC410038/\$15.00, AMC410039/\$15.00, AMC410040/\$15.00, AMC410041/ \$15.00, AMC410042/\$15.00, AMC410043/\$15.00, AMC410044/\$15.00, AMC410045/\$15.00, AMC410046/ \$15.00, AMC410047/\$15.00	- n/a -	840.00
3	56.00	LOCATABLE MINERALS / MINING CLAIMS- NEW, UNADJUD, ONE OR MORE AUTH NOS / NEW MINING CLAIM MAINT FEE \$140 CASES: AMC409992/\$140.00, AMC409993/\$140.00, AMC409994/\$140.00, AMC409995/\$140.00, AMC409996/ \$140.00, AMC409997/\$140.00, AMC409998/\$140.00, AMC409999/\$140.00, AMC410000/\$140.00, AMC410001/ \$140.00, AMC410002/\$140.00, AMC410003/\$140.00, AMC410004/\$140.00, AMC410005/\$140.00, AMC410006/ \$140.00, AMC410007/\$140.00, AMC410008/\$140.00, AMC410009/\$140.00, AMC410010/\$140.00, AMC410011/ \$140.00, AMC410012/\$140.00, AMC410013/\$140.00, AMC410014/\$140.00, AMC410015/\$140.00, AMC410016/ \$140.00, AMC410017/\$140.00, AMC410018/\$140.00, AMC410019/\$140.00, AMC410020/\$140.00, AMC410021/ \$140.00, AMC410022/\$140.00, AMC410023/\$140.00, AMC410024/\$140.00, AMC410025/\$140.00, AMC410026/ \$140.00, AMC410027/\$140.00, AMC410028/\$140.00, AMC410029/\$140.00, AMC410030/\$140.00, AMC410031/ \$140.00, AMC410032/\$140.00, AMC410033/\$140.00, AMC410034/\$140.00, AMC410035/\$140.00, AMC410036/ \$140.00, AMC410037/\$140.00, AMC410038/\$140.00, AMC410039/\$140.00, AMC410040/\$140.00, AMC410041/ \$140.00, AMC410042/\$140.00, AMC410043/\$140.00, AMC410044/\$140.00, AMC410045/\$140.00, AMC410046/ \$140.00, AMC410047/\$140.00	- n/a -	7840.00
TOTAL:			\$10,584.00	

PAYMENT INFORMATION				
1	AMOUNT:	10584.00	POSTMARKED:	08/09/2011
	TYPE:	CHECK	RECEIVED:	08/11/2011

REMARKS

This receipt was generated by the automated BLM Collections and Billing System and is a paper representation of a portion of the official electronic record contained therein.

NOTICE!!

These documents have been scanned!

Do not place un-scanned documents beneath this notice!

Do not remove this notice from this file!

GPO Jacket No. 560-102
Print Order 61540
Rise Business Services, LLC
Job=AZ15 5/16/2019



Box Number= AZ15056



Claim Begin-End: AMC409992-AMC410047

2 Correspondence



AZ15056-8

AMC409378-AMC410492

**NO
DOCUMENTS
FOUND**

NO DOCUMENTS FOUND
NO DOCUMENTS FOUND

NOTICE!!

These documents have been scanned!

Do not place un-scanned documents beneath this notice!

Do not remove this notice from this file!

GPO Jacket No. 560-102
Print Order 61540
Rise Business Services, LLC
Job=AZ15 5/16/2019



Box Number= AZ15056



Claim Begin-End: AMC409992-AMC410047

3 Transfers



AZ15056-8

AMC409378-AMC410492

**NO
DOCUMENTS
FOUND**

NO DOCUMENTS FOUND
NO DOCUMENTS FOUND

NOTICE!!

These documents have been scanned!

Do not place un-scanned documents beneath this notice!

Do not remove this notice from this file!

GPO Jacket No. 560-102
Print Order 61540
Rise Business Services, LLC
Job=AZ15 5/16/2019



Box Number= AZ15056



Claim Begin-End: AMC409992-AMC410047

4 Miscellaneous



AZ15056-8

AMC409378-AMC410492

AMC 409992

Thrower, Amy F

From: Jubel Caldwell <jubelc@att.net>
Sent: Sunday, October 30, 2011 7:38 PM
To: Thrower, Amy F
Cc: Kevin Bentley; Richard Halden
Subject: UMED Holdings claims

Amy Thrower,

I was out at our site this weekend and noticed that our claims had been disturbed. There was missing claim papers and someone had destroyed our markings on our stakes and used the stakes for themselves.

Our claims are in:

14N, 15W, Sec 34, AMC409992 thru 410007.

13N, 15W, Sec 2, AMC402281, AMC402282, AMC406432 thru AMC406444 and AMC410008 thru AMC410023.

13N, 15W, Sec 10, AMC410024 thru AMC410047.

The claims that had replaced ours were by CLEANTECH, and one of the numbers is AMC410753. I noticed on their paperwork that they filed with the BLM on 9/13/2011 at 11:04 am and then they filed with Mohave County on the same day at 4:22 pm.

My purpose in this email is to lodge a formal complaint against the locator of these claims for disturbing and destroying our claim notices. I will be out at the site again tomorrow on Oct 31, 2011 and will probably not have cellular service. I will be back in service tomorrow evening and will check my email and voicemail for any suggestions you may have.

Appreciatively Yours,

Jubel Caldwell
UMED Holdings, Inc
cell 254 592-7905
jubelc@att.net

NOTICE!!

These documents have been scanned!

Do not place un-scanned documents beneath this notice!

Do not remove this notice from this file!

GPO Jacket No. 560-102
Print Order 61540
Rise Business Services, LLC
Job=AZ15 5/16/2019



Box Number= AZ15056



Claim Begin-End: AMC409992-AMC410047

5 Annual Filings



AZ15056-8

AMC409378-AMC410492



U.S Department of Interior
Bureau of Land Management

402281
406432
406865
409992

Total Claims: 72

Total Fees: \$11,160.00

Table with 4 columns: Serial Number, Claim Name, Claimant Name, Amount. Lists 72 claims from AMC402281 to AMC410027, all with claimant 'UMED HOLDINGS INC' and amount '155.00'.

PHOENIX, ARIZONA
2018 AUG 17 P 2:43
BLM AZ STATE OFFICE
RICE VED

ENTERED
AUG 27 2018
BY: RAM

#4239746

Date:08/08/2018

This is a listing of claims selected for payment for the 2019 assessment year and not an official receipt. You will receive a receipt from the BLM office managing the lands where the claim is located

Serial Number	Claim Name	Claimant Name	Amount
AMC410028	M5.6	UMED HOLDINGS INC	155.00
AMC410029	UMED.38	UMED HOLDINGS INC	155.00
AMC410030	UMED.39	UMED HOLDINGS INC	155.00
AMC410031	UMED.40	UMED HOLDINGS INC	155.00
AMC410032	UMED.41	UMED HOLDINGS INC	155.00
AMC410033	UMED.42	UMED HOLDINGS INC	155.00
AMC410034	UMED.43	UMED HOLDINGS INC	155.00
AMC410035	UMED.44	UMED HOLDINGS INC	155.00
AMC410036	UMED.45	UMED HOLDINGS INC	155.00
AMC410037	UMED.46	UMED HOLDINGS INC	155.00
AMC410038	UMED.47	UMED HOLDINGS INC	155.00
AMC410039	UMED.48	UMED HOLDINGS INC	155.00
AMC410040	UMED.49	UMED HOLDINGS INC	155.00
AMC410041	UMED.50	UMED HOLDINGS INC	155.00
AMC410042	UMED.51	UMED HOLDINGS INC	155.00
AMC410043	UMED.52	UMED HOLDINGS INC	155.00
AMC410044	UMED.53	UMED HOLDINGS INC	155.00
AMC410045	UMED.54	UMED HOLDINGS INC	155.00
AMC410046	UMED.55	UMED HOLDINGS INC	155.00
AMC410047	UMED.56	UMED HOLDINGS INC	155.00

RECEIVED
 BLM AZ STATE OFFICE
 2018 AUG 17 P 2:43
 PHOENIX, ARIZONA

Greeway Technologies, Inc.
8851 Camp Bowie West Blvd.
Suite 240
Fort Worth, TX 76116



7018 1130 0000 1083 7981

RECEIVED
LLM AZ STATE OFFICE
2018 AUG 17 P 2:43
PHOENIX, ARIZONA

RETURN RECEIPT
REQUESTED

United States Department of the Interior
Bureau of Land Management
Division of Lands, Minerals & Energy
One N Central Ave.
Phoenix, AZ 85004-4427

13 000 2018 PM 5:17
PHOENIX DISTRICT
8500484427 0041

U.S. POSTAGE
PAID
FRISCO, TX
75034
AUG 13, 18
AMOUNT
\$6.70
R2304H107844-04



85004



1000

United States Department of the Interior
Bureau of Land Management
 DIV OF LANDS, MINRLS & ENERGY
 ONE N CENTRAL AVE
 PHOENIX, AZ 85004 -4427
 Phone: 602-417-9200

Receipt

No: 4239746

Transaction #: 4355152	
Date of Transaction: 08/20/2018	
CUSTOMER:	
GREENWAY TECHNOLOGIES INC 8851 CAMP BOWIE WEST BLVD STE FORT WORTH, TX 76116-6130 US	

LINE #	QTY	DESCRIPTION	REMARKS	UNIT PRICE	TOTAL
1	1.00	LOCATABLE MINERALS / MINING CLAIMS- NOT NEW-UNADJUD, ONE AUTH NO. ONLY / MINING CLAIM MONEY RECEIVED CASES: AMC402281/\$11160.00	MAINT 2019/72	- n/a -	11160.00
TOTAL:					\$11,160.00

PAYMENT INFORMATION			
1	AMOUNT:	11160.00	POSTMARKED: N/A
	TYPE:	CHECK	RECEIVED: 08/17/2018
	CHECK NO:	3030	
	NAME:	GREENWAY TECHNOLOGIES INC 8851 CAMP BOWIE WEST BLVD STE FORT WORTH TX 76116-6130 US	

REMARKS

This receipt was generated by the automated BLM Collections and Billing System and is a paper representation of a portion of the official electronic record contained therein.

DEPARTMENT OF THE INTERIOR
BUREAU OF LAND MANAGEMENT
MAINTENANCE FEE PAYMENT FORM
FOR PLACER MINING CLAIMS

402281
406432
406865
409992

Remitter Name: UMED Holding, Inc.

Mailing Address: 6628 Bryant Irvin Rd., Suite 250

City, State, Zip: Fort Worth, TX 76132

Check here if this is a change of address.

FOR COUNTY RECORDER'S USE

No. of claims 72
Total due BLM \$ 11,160

- The maintenance fee may be paid by cash, check, money order, Bureau of Land Management (BLM) Declining Deposit Account, or credit card (VISA, American Express, Discover, or MasterCard). Payments must be remitted to the BLM State Office where your claim or site is recorded and received on or before September 1. If the payment is mailed, the envelope must be postmarked by a bona fide delivery service on or before September 1 and received at the proper BLM State Office within 15 calendar days after the due date. Payments may also be made by telephone using a credit card. A complete listing of BLM State Offices with their addresses and phone numbers can be found at <http://www.blm.gov>.
- The maintenance fee for the following claim(s) applies to the assessment year 2017.

CLAIM NAME	BLM SERIAL NO.	ACRES IN CLAIM	PAYMENT DUE TO THE BLM (See Instructions on Page 2)
Bevo I	402281	20	155
Bevo II	402282	20	155
Annette's Bevo	406432	20	155
David's Bevo	406433	20	155
Greg's Bevo	406434	20	155
Jared's Bevo	406435	20	155
Jerry's Bevo	406436	20	155
Jubel's Bevo	406437	20	155
Kevin's Bevo	406438	20	155
Pat's Bevo	406439	20	155

RECEIVED
BLM AZ STATE OFFICE
2017 AUG 25 P 1:28
PHOENIX, ARIZONA

Use a separate sheet for additional claim names, serial numbers, and claimant names and addresses.

3902869

AT 9/6/17

SUPPLEMENTAL ATTACHMENT

May be used with the following forms for listing additional mining claims:

Check One.

- Affidavit of Performance of Annual Work
- Maintenance Fee Payment
- Notice of Intent to Hold Mining Claims
- Notice of Non-Liability for Labor and Materials Furnished

BLM
Date
Stamp

RECEIVED
BLM AZ STATE OFFICE
PHOENIX, ARIZONA
2011 AUG 25 P 1:28

LINE NO.	AMC NUMBER	CLAIM/SITE NAME	COUNTY RECORDER DATA (If available)	TWP	RNG	SEC
11	406440	Randy's Bevo		13N	15W	2
12	406441	Ric's Bevo		13N	15W	2
13	406442	Rob's Bevo		13N	15W	2
14	406443	Rod's Bevo		13N	15W	2
15	406444	Steve's Bevo		13N	15W	2
16	406865	Bevo III		13N	15W	2
17	409992	R8.28		14N	15W	34
18	409993	UMED.2		14N	15W	34
19	409994	UMED.3		14N	15W	34
20	409995	UMED.4		14N	15W	34
21	409996	UMED.5		14N	15W	34
22	409997	UMED.6		14N	15W	34
23	409998	UMED.7		14N	15W	34
24	409999	UMED.8		14N	15W	34
25	410000	UMED.9		14N	15W	34
26	410001	UMED.10		14N	15W	34
27	410002	UMED.11		14N	15W	34
28	410003	UMED.12		14N	15W	34
29	410004	UMED.13		14N	15W	34

Form MCF114
Revised June 2005

This form is available from the Arizona Department of Mines & Mineral Resources and may be reproduced.

SUPPLEMENTAL ATTACHMENT

May be used with the following forms for listing additional mining claims:

Check One.

- Affidavit of Performance of Annual Work
- Maintenance Fee Payment
- Notice of Intent to Hold Mining Claims
- Notice of Non-Liability for Labor and Materials Furnished

BLM
Date
Stamp

RECEIVED
BLM AZ STATE OFFICE
2011 AUG 25 P 1:28
PHOENIX, ARIZONA

LINE NO.	AMC NUMBER	CLAIM/SITE NAME	COUNTY RECORDER DATA (If available)	TWP	RNC	EC
30	410005	UMED.14		14N	15W	34
31	410006	UMED.15		14N	15W	34
32	410007	UMED.16		14N	15W	34
33	410008	Ph 4.8		13N	15W	2
34	410009	UMED.18		13N	15W	2
35	410010	UMED.19		13N	15W	2
36	410011	UMED.20		13N	15W	2
37	410012	UMED,21		13N	15W	2
38	410013	UMED.22		13N	15W	2
39	410014	UMED.23		13N	15W	2
40	410015	UMED.24		13N	15W	2
41	410016	UMED.25		13N	15W	2
42	410017	UMED.26		13N	15W	2
43	410018	UMED.27		13N	15W	2
44	410019	UMED.28		13N	15W	2
45	410020	UMED.29		13N	15W	2
46	410021	UMED.30		13N	15W	2
47	410022	UMED.31		13N	15W	2
48	410023	UMED.32		13N	15W	2

Form MCF114
Revised June 2005

This form is available from the Arizona Department of Mines & Mineral Resources and may be reproduced.

SUPPLEMENTAL ATTACHMENT

May be used with the following forms for listing additional mining claims:

Check One.

- Affidavit of Performance of Annual Work
- Maintenance Fee Payment
- Notice of Intent to Hold Mining Claims
- Notice of Non-Liability for Labor and Materials Furnished

BLM
Date
Stamp

RECEIVED
BLM AZ STATE OFFICE
PHOENIX, ARIZONA
2011 AUG 25 P 1:29

LINE NO.	AMC NUMBER	CLAIM/SITE NAME	COUNTY RECORDER DATA (If available)	TWP	RNG	SEC
49	410024	Doug White		13N	15W	10
50	410025	UMED.34		13N	15W	10
51	410026	UMED.35		13N	15W	10
52	410027	UMED.36		13N	15W	10
53	410028	UMED.37		13N	15W	10
54	410029	UMED.38		13N	15W	10
55	410030	UMED.39		13N	15W	10
56	410031	UMED.40		13N	15W	10
57	410032	UMED.41		13N	15W	10
58	410033	UMED.42		13N	15W	10
59	410034	UMED.43		13N	15W	10
60	410035	UMED.44		13N	15W	10
61	410036	UMED.45		13N	15W	10
62	410037	UMED.46		13N	15W	10
63	410038	UMED.47		13N	15W	10
64	410039	UMED.48		13N	15W	10
65	410040	UMED.49		13N	15W	10
66	410041	UMED.50		13N	15W	10
67	410042	UMED.51		13N	15W	10

Form MCF114
Revised June 2005

This form is available from the Arizona Department of Mines & Mineral Resources and may be reproduced.

SUPPLEMENTAL ATTACHMENT

May be used with the following forms for listing additional mining claims:

Check One.

- Affidavit of Performance of Annual Work
- Maintenance Fee Payment
- Notice of Intent to Hold Mining Claims
- Notice of Non-Liability for Labor and Materials Furnished

RECEIVED
BLM AZ STATE OFFICE
2011 AUG 25 P 1:29
PHOENIX, ARIZONA
BLM
Date
Stamp

LINE NO.	AMC NUMBER	CLAIM/SITE NAME	COUNTY RECORDER DATA (If available)	TWP	RNG	SEC
68	410043	UMED.52		13N	15W	10
69	410044	UMED.53		13N	15W	10
70	410045	UMED.54		13N	15W	10
71	410046	UMED.55		13N	15W	10
72	410047	UMED.56		13N	15W	10

Form MCF114
Revised June 2005

This form is available from the Arizona Department of Mines & Mineral Resources and may be reproduced.



earthsmart
FedEx carbon-neutral
envelope shipping

RT 278 1 D
ST 1.3 10:30 5246
08.25

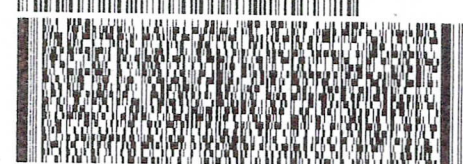
RECEIVED
BLM AZ STATE OFFICE
2017 AUG 25 P 1:28
PHOENIX, ARIZONA

ORIGIN ID:GLEA (817) 709-8567
PAT SIX
0851 GRP ROWIE WEST BLVD STE 240
FORT WORTH, TX 76116
UNITED STATES US

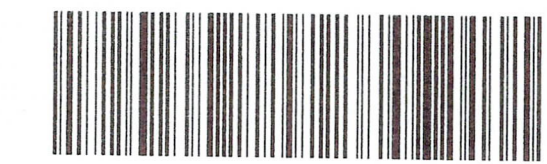
SHIP DATE: 23AUG17
ACTWGT: 0.10 LB
CAD: 6895708/SSFD1802
BILL THIRD PARTY

TO
BUREAU OF LAND MANGEMENT
ONE N CENTRAL AVE
STE 800
PHOENIX AZ 85004

(000) 000-0000 REF: DEPT:
IND: PO:



TRK# 7874 8890 5246
(6201)
FRI - 25 AUG 10:30A
MORNING 2DAY
RES
85004
AZ-US PHX



Print # 156507-409-24020-0818 07/18

United States Department of the Interior
Bureau of Land Management
 DIV OF LANDS, MINRLS & ENERGY
 ONE N CENTRAL AVE
 PHOENIX, AZ 85004 -4427
 Phone: 602-417-9200

Receipt

No: 3962869

Transaction #: 4072715	
Date of Transaction: 08/28/2017	
CUSTOMER:	
UMED HOLDINGS INC 6628 BRYANT IRVING RD STE 250 FORT WORTH, TX 76132 US	

LINE #	QTY	DESCRIPTION	REMARKS	UNIT PRICE	TOTAL
1	1.00	LOCATABLE MINERALS / MINING CLAIMS- NOT NEW-UNADJUD, ONE AUTH NO. ONLY / MINING CLAIM MONEY RECEIVED CASES: AMC402281/\$11160.00	MAINT 2018/72	- n/a -	11160.00
TOTAL:					\$11,160.00

PAYMENT INFORMATION			
1	AMOUNT:	11160.00	POSTMARKED: N/A
	TYPE:	CHECK	RECEIVED: 08/25/2017
	CHECK NO:	2882	
	NAME:	UMED HOLDINGS INC 6628 BRYANT IRVING RD STE 250 FORT WORTH TX 76132 US	

REMARKS

This receipt was generated by the automated BLM Collections and Billing System and is a paper representation of a portion of the official electronic record contained therein.

Run Date: 09/09/16

Run Time: 05:54 AM

**DEPARTMENT OF THE INTERIOR
BUREAU OF LAND MANAGEMENT
MINING CLAIMS**

MC Maintenance Fees Paid Through the BLM Pay Portal

CBS Receipt: 3641820

Printed For Lead File # **AMC409992**

Agency Tracking ID: 1472144716

Assessment Year: 2017

Number of BLM Serial Nr: 72

Paid On: 08/25/2016

Total Amount Paid: \$11,160.00

Claim Name	BLM Serial No	Lead File No	Amount Paid
BEVO 1	AMC402281	AMC402281	\$155.00
BEVO 2	AMC402282	AMC402281	\$155.00
ANNETTE'S BEVO	AMC406432	AMC406432	\$155.00
DAVID'S BEVO	AMC406433	AMC406432	\$155.00
GREG'S BEVO	AMC406434	AMC406432	\$155.00
JARED'S BEVO	AMC406435	AMC406432	\$155.00
JERRY'S BEVO	AMC406436	AMC406432	\$155.00
JUBAL'S BEVO	AMC406437	AMC406432	\$155.00
KEVIN'S BEVO	AMC406438	AMC406432	\$155.00
PAT'S BEVO	AMC406439	AMC406432	\$155.00
RANDY'S BEVO	AMC406440	AMC406432	\$155.00
RIC'S BEVO	AMC406441	AMC406432	\$155.00
ROB'S BEVO	AMC406442	AMC406432	\$155.00
ROD'S BEVO	AMC406443	AMC406432	\$155.00
STEVE'S BEVO	AMC406444	AMC406432	\$155.00
BEVO III	AMC406865	AMC406865	\$155.00
R8.28	AMC409992	AMC409992	\$155.00
UMED.2	AMC409993	AMC409992	\$155.00
UMED.3	AMC409994	AMC409992	\$155.00
UMED.4	AMC409995	AMC409992	\$155.00
UMED.5	AMC409996	AMC409992	\$155.00
UMED.6	AMC409997	AMC409992	\$155.00
UMED.7	AMC409998	AMC409992	\$155.00
UMED.8	AMC409999	AMC409992	\$155.00
UMED.9	AMC410000	AMC409992	\$155.00
UMED.10	AMC410001	AMC409992	\$155.00
UMED.11	AMC410002	AMC409992	\$155.00
UMED.12	AMC410003	AMC409992	\$155.00
UMED.13	AMC410004	AMC409992	\$155.00
UMED.14	AMC410005	AMC409992	\$155.00
UMED.15	AMC410006	AMC409992	\$155.00
UMED.16	AMC410007	AMC409992	\$155.00
PH4.8	AMC410008	AMC409992	\$155.00
UMED.18	AMC410009	AMC409992	\$155.00
UMED.19	AMC410010	AMC409992	\$155.00
UMED.20	AMC410011	AMC409992	\$155.00

NO WARRANTY IS MADE BY BLM FOR USE OF THE DATA FOR PURPOSES NOT INTENDED BY BLM

**DEPARTMENT OF THE INTERIOR
BUREAU OF LAND MANAGEMENT
MINING CLAIMS**

MC Maintenance Fees Paid Through the BLM Pay Portal

CBS Receipt: 3641820

Printed For Lead File # AMC409992

Agency Tracking ID: 1472144716

Assessment Year: 2017

Number of BLM Serial Nr: 72

Paid On: 08/25/2016

Total Amount Paid: \$11,160.00

Claim Name	BLM Serial No	Lead File No	Amount Paid
UMED.21	AMC410012	AMC409992	\$155.00
UMED.22	AMC410013	AMC409992	\$155.00
UMED.23	AMC410014	AMC409992	\$155.00
UMED.24	AMC410015	AMC409992	\$155.00
UMED.25	AMC410016	AMC409992	\$155.00
UMED.26	AMC410017	AMC409992	\$155.00
UMED.27	AMC410018	AMC409992	\$155.00
UMED.28	AMC410019	AMC409992	\$155.00
UMED.29	AMC410020	AMC409992	\$155.00
UMED.30	AMC410021	AMC409992	\$155.00
UMED.31	AMC410022	AMC409992	\$155.00
UMED.32	AMC410023	AMC409992	\$155.00
DOUG WHITE	AMC410024	AMC409992	\$155.00
UMED.34	AMC410025	AMC409992	\$155.00
UMED.35	AMC410026	AMC409992	\$155.00
UMED.36	AMC410027	AMC409992	\$155.00
M5.6	AMC410028	AMC409992	\$155.00
UMED.38	AMC410029	AMC409992	\$155.00
UMED.39	AMC410030	AMC409992	\$155.00
UMED.40	AMC410031	AMC409992	\$155.00
UMED.41	AMC410032	AMC409992	\$155.00
UMED.42	AMC410033	AMC409992	\$155.00
UMED.43	AMC410034	AMC409992	\$155.00
UMED.44	AMC410035	AMC409992	\$155.00
UMED.45	AMC410036	AMC409992	\$155.00
UMED.46	AMC410037	AMC409992	\$155.00
UMED.47	AMC410038	AMC409992	\$155.00
UMED.48	AMC410039	AMC409992	\$155.00
UMED.49	AMC410040	AMC409992	\$155.00
UMED.50	AMC410041	AMC409992	\$155.00
UMED.51	AMC410042	AMC409992	\$155.00
UMED.52	AMC410043	AMC409992	\$155.00
UMED.53	AMC410044	AMC409992	\$155.00
UMED.54	AMC410045	AMC409992	\$155.00
UMED.55	AMC410046	AMC409992	\$155.00
UMED.56	AMC410047	AMC409992	\$155.00

United States Department of the Interior
Bureau of Land Management
 BUSINESS & SUPPORT SVCS DIV
 ONE N CENTRAL AVE SUITE 800
 PHOENIX, AZ 85004 -4427
 Phone: (602) 417-9200

Receipt

No: 3641820

Transaction #: 3745768	
Date of Transaction: 08/25/2016	
CUSTOMER:	
RANDY MOSELEY 119 WOODSTREAM CT CRESSON, TX 76035 US	

LINE #	QTY	DESCRIPTION	REMARKS	UNIT PRICE	TOTAL
1	1.00	LOCATABLE MINERALS / MINING CLAIMS- NOT NEW-UNADJUD, ONE AUTH NO. ONLY / MINING CLAIM MONEY RECEIVED CASES: AMC410040/\$11160.00		- n/a -	11160.00
TOTAL:					\$11,160.00

PAYMENT INFORMATION			
NOTE: Items will appear on credit card statement as "BLM O Mining Claim".			
1	AMOUNT:	11160.00	POSTMARKED: N/A
	TYPE:	CREDIT CARD	RECEIVED: 08/25/2016
	NAME:	RANDY MOSELEY 119 WOODSTREAM CT CRESSON TX 76035 US	
	CARD NO:	XXXXXXXXXXXX8542	AUTH CODE: 747291
	NAME ON CARD:	RANDY MOSELEY	
	EXPIRES:	05/2017	
	SIGNATURE:		

REMARKS

This receipt was generated by the automated BLM Collections and Billing System and is a paper representation of a portion of the official electronic record contained therein.

DEPARTMENT OF THE INTERIOR
BUREAU OF LAND MANAGEMENT
MAINTENANCE FEE PAYMENT FORM
FOR PLACER MINING CLAIMS

402281
406432
406865
409992

Remitter Name: UMED Holding, Inc.

Mailing Address: 6628 Bryant Irvin Rd., Suite 250

City, State, Zip: Fort Worth, TX 76132

Check here if this is a change of address.

FOR COUNTY RECORDER'S USE

No. of claims 72
Total due BLM \$ 11,160

- The maintenance fee may be paid by cash, check, money order, Bureau of Land Management (BLM) Declining Deposit Account, or credit card (VISA, American Express, Discover, or MasterCard). Payments must be remitted to the BLM State Office where your claim or site is recorded and received on or before September 1. If the payment is mailed, the envelope must be postmarked by a bona fide delivery service on or before September 1 and received at the proper BLM State Office within 15 calendar days after the due date. Payments may also be made by telephone using a credit card. A complete listing of BLM State Offices with their addresses and phone numbers can be found at <http://www.blm.gov>.
- The maintenance fee for the following claim(s) applies to the assessment year 2016.

CLAIM NAME	BLM SERIAL NO.	ACRES IN CLAIM	PAYMENT DUE TO THE BLM (See Instructions on Page 2)
Bevo I	402281	20	155
Bevo II	402282	20	155
Annette's Bevo	406432	20	155
David's Bevo	406433	20	155
Greg's Bevo	406434	20	155
Jared's Bevo	406435	20	155
Jerry's Bevo	406436	20	155
Jubel's Bevo	406437	20	155
Kevin's Bevo	406438	20	155
Pat's Bevo	406439	20	155

RECEIVED
BLM AZ STATE OFFICE
PHOENIX, ARIZONA
2015 SEP 1 155
7 42

Use a separate sheet for additional claim names, serial numbers, and claimant names and addresses.

RECEIPT # 3385155

SUPPLEMENTAL ATTACHMENT III

May be used with the following forms for listing additional mining claims:

Check One.

- Affidavit of Performance of Annual Work
- Maintenance Fee Payment
- Notice of Intent to Hold Mining Claims
- Notice of Non-Liability for Labor and Materials Furnished

BLM
Date
Stamp

LINE NO.	AMC NUMBER	CLAIM/SITE NAME	COUNTY RECORDER DATA (If available)	TWP	RNG	SEC.
11	406440 ⁷	Randy's Bevo		13N	15W	2
12	406441	Ric's Bevo		13N	15W	2
13	406442	Rob's Bevo		13N	15W	2
14	406443	Rod's Bevo		13N	15W	2
15	406444 /	Steve's Bevo		13N	15W	2
16	406865 —	Bevo III		13N	15W	2
17	409992 ⁷	R8.28		14N	15W	34
18	409993	UMED.2		14N	15W	34
19	409994	UMED.3		14N	15W	34
20	409995	UMED.4		14N	15W	34
21	409996	UMED.5		14N	15W	34
22	409997	UMED.6		14N	15W	34
23	409998	UMED.7		14N	15W	34
24	409999	UMED.8		14N	15W	34
25	410000	UMED.9		14N	15W	34
26	410001	UMED.10		14N	15W	34
27	410002	UMED.11		14N	15W	34
28	410003	UMED.12		14N	15W	34
29	410004 /	UMED.13		14N	15W	34

Form MCF114
Revised June 2005

This form is available from the Arizona Department of Mines & Mineral Resources and may be reproduced.

SUPPLEMENTAL ATTACHMENT

May be used with the following forms for listing additional mining claims:

Check One.

- Affidavit of Performance of Annual Work
- Maintenance Fee Payment
- Notice of Intent to Hold Mining Claims
- Notice of Non-Liability for Labor and Materials Furnished

BLM
Date
Stamp

LINE NO.	AMC NUMBER	CLAIM/SITE NAME	COUNTY RECORDER DATA (If available)	TWP	RNG	SEC
30	410005	UMED.14		14N	15W	34
31	410006	UMED.15		14N	15W	34
32	410007	UMED.16		14N	15W	34
33	410008	Ph 4.8		13N	15W	2
34	410009	UMED.18		13N	15W	2
35	410010	UMED.19		13N	15W	2
36	410011	UMED.20		13N	15W	2
37	410012	UMED,21		13N	15W	2
38	410013	UMED.22		13N	15W	2
39	410014	UMED.23		13N	15W	2
40	410015	UMED.24		13N	15W	2
41	410016	UMED.25		13N	15W	2
42	410017	UMED.26		13N	15W	2
43	410018	UMED.27		13N	15W	2
44	410019	UMED.28		13N	15W	2
45	410020	UMED.29		13N	15W	2
46	410021	UMED.30		13N	15W	2
47	410022	UMED.31		13N	15W	2
48	410023	UMED.32		13N	15W	2

RECEIVED
 BLM
 ARIZONA
 DISTRICT OFFICE
 PHOENIX, ARIZONA
 APR 15 2005

Form MCF114
Revised June 2005

SUPPLEMENTAL ATTACHMENT

May be used with the following forms for listing additional mining claims:

Check One.

- Affidavit of Performance of Annual Work
- Maintenance Fee Payment
- Notice of Intent to Hold Mining Claims
- Notice of Non-Liability for Labor and Materials Furnished

BLM
Date
Stamp

LINE NO.	AMC NUMBER	CLAIM/SITE NAME	COUNTY RECORDER DATA (If available)	TWP	RNG	SEC
49	410024	Doug White		13N	15W	10
50	410025	UMED.34		13N	15W	10
51	410026	UMED.35		13N	15W	10
52	410027	UMED.36		13N	15W	10
53	410028	UMED.37		13N	15W	10
54	410029	UMED.38		13N	15W	10
55	410030	UMED.39		13N	15W	10
56	410031	UMED.40		13N	15W	10
57	410032	UMED.41		13N	15W	10
58	410033	UMED.42		13N	15W	10
59	410034	UMED.43		13N	15W	10
60	410035	UMED.44		13N	15W	10
61	410036	UMED.45		13N	15W	10
62	410037	UMED.46		13N	15W	10
63	410038	UMED.47		13N	15W	10
64	410039	UMED.48		13N	15W	10
65	410040	UMED.49		13N	15W	10
66	410041	UMED.50		13N	15W	10
67	410042	UMED.51		13N	15W	10

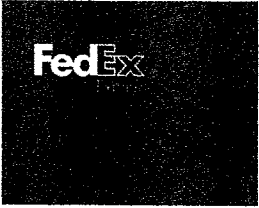
RECEIVED
 BLM STATE OFFICE
 PHOENIX, ARIZONA
 2015 SEP - 1 P 1:11

Form MCF114-1
Revised June 2005

This form is available from the Arizona Department of Mines & Mineral Resources and may be reproduced.

FedEx

Express



FedEx First Overnight®

FO

147918 REV 6/08 RDD



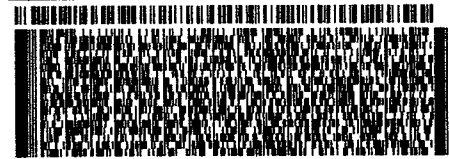
FedEx carbon-neutral envelope shipping

ORIGIN ID:GLEA (817) 296-3877 CAPITAL EQUITY PARTNERS LLC 119 WOODSTREAM CT CRESSON, TX 760355681 UNITED STATES US	SHIP DATE: 31AUG15 ACTWT: 0.20 LB CAD: /OFFC1621 DIMS: 0x0x0 IN BILL SENDER
--	---

TO **MINING CLAIMS DEPT.
BUREAU OF LAND MANAGEMENT
1 NORTH CENTRAL AVENUE**

PHOENIX AZ 85004

(802) 417-8200 REF: DEPT:
TWO
PG1

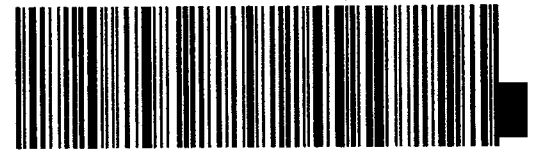


TRK# 8079 4998 0520
0200

**TUE - 01 SEP 8:00A
FIRST OVERNIGHT**

N1 ZSYA

**85004
AZ-US PHX**



RECEIVED
BLMAZ STATE OFFICE
2015 SEP -1 P 7:42
PHOENIX, ARIZONA

Part # 105207-23511212/01/15

FedEx

FO

FedEx First Overnight®

147918 REV 8/

Extremely Urgent

FedEx NEW Package Express US Airbill

FedEx Tracking Number 8079 4998 0520

Form No. 0200

1 From
 Date 8-31-2015
 Sender's Name R. MOSELEY Phone 817 296-3877
 Company LUMED HOLDINGS, INC.
 Address 6628 BRIAN JEVIN RD #250
 City FORT WORTH State TX ZIP 76132

2 Your Internal Billing Reference

3 To
 Recipient's Name MINING CLAIMS DEPT. Phone 602 47-9260
 Company BUREAU OF LAND MANAGEMENT
 Address ONE N CENTRAL AVE
 City PHOENIX State AZ ZIP 85004

HOLD Weekday
 FedEx location address
 REQUIRED. NOT available for
 FedEx First Overnight.
 HOLD Saturday
 FedEx location address
 REQUIRED. Available ONLY for
 FedEx Priority Overnight and
 FedEx 2Day to select locations.

4 Express Package Service *To most locations.
 NOTE: Service unless otherwise indicated. Packages up to 150 lbs.
 For packages over 150 lbs., see the new
 FedEx Express Freight US Airbill.

Next Business Day
 FedEx First Overnight
 FedEx Priority Overnight
 FedEx Standard Overnight

2 or 3 Business Days
 FedEx 2Day A.M.
 FedEx 2Day
 FedEx Express Service

5 Packaging *Declared value limit \$500.
 FedEx Envelopes* FedEx Pak* FedEx Box FedEx Tube Other

6 Special Handling and Delivery Signature Options
 SATURDAY Delivery
 No Signature Required
 Direct Signature
 Indirect Signature

Does this shipment contain dangerous goods?
 No Yes Yes
 Dry Ice Cargo Aircraft Only

7 Payment - Bill to:
 Sender Recipient Third Party Credit Card Cash/Check

Total Packages Total Weight Credit Card Auth.



8079 4998 0520

*Our liability is limited to \$500 unless you declare a higher value. See the current FedEx Service Guide for details.

644

fedex.com 1800.GoFedEx 1800.463.3339

fedex.com 1800.GoFedEx 1800.463.3339

Insert shipping document here.

United States Department of the Interior
Bureau of Land Management
LANDS/RECREATION & PLANNING
 ONE N CENTRAL AVE
 PHOENIX, AZ 85004 -2203
 Phone: 602-417-9200

Receipt

No: 3385155

Transaction #: 3483494	
Date of Transaction: 09/02/2015	
CUSTOMER:	
UMED HOLDINGS INC 6628 BRYANT IRVING RD STE 250 FORT WORTH, TX 76132 US	

LINE #	QTY	DESCRIPTION	REMARKS	UNIT PRICE	TOTAL
1	1.00	LOCATABLE MINERALS / MINING CLAIMS-NOT NEW-UNADJUD, ONE AUTH NO. ONLY / MINING CLAIM MONEY RECEIVED CASES: AMC402281/\$11160.00	MAINT FEE PYMNT - 72 2016	- n/a -	11160.00
TOTAL:					\$11,160.00

PAYMENT INFORMATION			
1	AMOUNT:	11160.00	POSTMARKED: 08/31/2015
	TYPE:	CHECK	RECEIVED: 09/01/2015
	CHECK NO:	2573	
	NAME:	UMED HOLDINGS INC 6628 BRYANT IRVING RD STE 250 FORT WORTH TX 76132 US	

REMARKS

This receipt was generated by the automated BLM Collections and Billing System and is a paper representation of a portion of the official electronic record contained therein.

ENTERED
 SEP 04 2015
 BY: *CA*

UNITED STATES
DEPARTMENT OF THE INTERIOR
BUREAU OF LAND MANAGEMENT
**MAINTENANCE FEE PAYMENT FORM
FOR PLACER MINING CLAIMS**

402281
406432
406865

409992

Remitter Name: UMED Holdings, Inc.

Mailing Address: 6628 Bryant Irving Road, Suite 250

City, State, Zip: Fort Worth, TX 76132

Check here if this is a change of address.

FOR COUNTY RECORDER'S USE

No. of claims 72
Total due BLM \$ 11,160.00

- The maintenance fee may be paid by cash, check, money order, Bureau of Land Management (BLM) Declining Deposit Account, or credit card (VISA, American Express, Discover, or MasterCard). Payments must be remitted to the BLM State Office where your claim or site is recorded and received on or before September 1. If the payment is mailed, the envelope must be postmarked by a bona fide delivery service on or before September 1 and received at the proper BLM State Office within 15 calendar days after the due date. Payments may also be made by telephone using a credit card. A complete listing of BLM State Offices with their addresses and phone numbers can be found at <http://www.blm.gov>.
- The maintenance fee for the following claim(s) applies to the assessment year 2015.

CLAIM NAME	BLM SERIAL NO.	ACRES IN CLAIM	PAYMENT DUE TO THE BLM (See Instructions on Page 2)
Bevo I	402281	20	155.00
Bevo II	402282	20	155.00
Annette's Bevo	406432	20	155.00
David's Bevo	406433	20	155.00
Greg's Bevo	406434	20	155.00
Jared's Bevo	406435	20	155.00
Jerry's Bevo	406436	20	155.00
Jubel's Bevo	406437	20	155.00
Kevin's Bevo	406438	20	155.00
Pat's Bevo	406439	20	155.00

RECEIVED
 BLM STATE OFFICE
 PHOENIX, ARIZONA
 2014 AUG 27 A 9:56

Use a separate sheet for additional claim names, serial numbers, and claimant names and addresses.

(Continued on page 2)

ENTERED
SEP 02 2014
BY: 13

RECEIPT # 3115405

SUPPLEMENTAL ATTACHMENT

May be used with the following forms for listing additional mining claims:
Check One.

- Affidavit of Performance of Annual Work
- Maintenance Fee Payment
- Notice of Intent to Hold Mining Claims
- Notice of Non-Liability for Labor and Materials Furnished

BLM
Date
Stamp

2014 AUG 27 A 9:57
PHOENIX, ARIZONA

RECEIVED
BLMAZ STATE OFFICE

LINE NO.	AMC NUMBER	CLAIM/SITE NAME	COUNTY RECORDER DATA (If available)	TWP	RNG	SEC
11	406440	Randy's Bevo		13N	15W	2
12	406441	Ric's Bevo		13N	15W	2
13	406442	Rob's Bevo		13N	15W	2
14	406443	Rod's Bevo		13N	15W	2
15	406444	Steve's Bevo		13N	15W	2
16	406865	Bevo III		13N	15W	2
17	409992	R8.28		14N	15W	34
18	409993	UMED.2		14N	15W	34
19	409994	UMED.3		14N	15W	34
20	409995	UMED.4		14N	15W	34
21	409996	UMED.5		14N	15W	34
22	409997	UMED.6		14N	15W	34
23	409998	UMED.7		14N	15W	34
24	409999	UMED.8		14N	15W	34
25	410000	UMED.9		14N	15W	34
26	410001	UMED.10		14N	15W	34
27	410002	UMED.11		14N	15W	34
28	410003	UMED.12		14N	15W	34
29	410004	UMED.13		14N	15W	34

For MCF 4
revise line 2 5

SUPPLEMENTAL ATTACHMENT

May be used with the following forms for listing additional mining claims:

Check One.

- Affidavit of Performance of Annual Work
- Maintenance Fee Payment
- Notice of Intent to Hold Mining Claims
- Notice of Non-Liability for Labor and Materials Furnished

BLM
Date
Stamp

RECEIVED
BLM AZS MINE OFFICE
2014 AUG 27 A 9:57
PHOENIX, ARIZONA

LINE NO.	AMC NUMBER	CLAIM/SITE NAME	COUNTY RECORDER DATA (If available)	TWP	RNG	SEC
30	410005	UMED.14		14N	15W	34
31	410006	UMED.15		14N	15W	34
32	410007	UMED.16		14N	15W	34
33	410008	Ph 4.8		13N	15W	2
34	410009	UMED.18		13N	15W	2
35	410010	UMED.19		13N	15W	2
36	410011	UMED.20		13N	15W	2
37	410012	UMED.21		13N	15W	2
38	410013	UMED.22		13N	15W	2
39	410014	UMED.23		13N	15W	2
40	410015	UMED.24		13N	15W	2
41	410016	UMED.25		13N	15W	2
42	410017	UMED.26		13N	15W	2
43	410018	UMED.27		13N	15W	2
44	410019	UMED.28		13N	15W	2
45	410020	UMED.29		13N	15W	2
46	410021	UMED.30		13N	15W	2
47	410022	UMED.31		13N	15W	2
48	410023	UMED.32		13N	15W	2

Form MCF114
Revised June 2005

This form is available from the Arizona Department of Mines & Mineral Resources and may be reproduced.

SUPPLEMENTAL ATTACHMENT

May be used with the following forms for listing additional mining claims:
Check One.

- Affidavit of Performance of Annual Work
- Maintenance Fee Payment
- Notice of Intent to Hold Mining Claims
- Notice of Non-Liability for Labor and Materials Furnished

RECEIVED
BLM AZ STATE OFFICE
2011 AUG 27 A 9:58
PHOENIX, ARIZONA

BLM
Date
Stamp

LINE NO.	AMC NUMBER	CLAIM/SITE NAME	COUNTY RECORDER DATA (If available)	TWP	RNG	SEC
49	410024	Doug White		13N	15W	10
50	410025	UMED.34		13N	15W	10
51	410026	UMED.35		13N	15W	10
52	410027	UMED.36		13N	15W	10
53	410028	UMED.37		13N	15W	10
54	410029	UMED.38		13N	15W	10
55	410030	UMED.39		13N	15W	10
56	410031	UMED.40		13N	15W	10
57	410032	UMED.41		13N	15W	10
58	410033	UMED.42		13N	15W	10
59	410034	UMED.43		13N	15W	10
60	410035	UMED.44		13N	15W	10
61	410036	UMED.45		13N	15W	10
62	410037	UMED.46		13N	15W	10
63	410038	UMED.47		13N	15W	10
64	410039	UMED.48		13N	15W	10
65	410040	UMED.49		13N	15W	10
66	410041	UMED.50		13N	15W	10
67	410042	UMED.51		13N	15W	10

Form MCF114
Revised June 2005

This form is available from the Arizona Department of Mines & Mineral Resources and may be reproduced.

SUPPLEMENTAL ATTACHMENT

May be used with the following forms for listing additional mining claims:

Check One.

- Affidavit of Performance of Annual Work
- Maintenance Fee Payment
- Notice of Intent to Hold Mining Claims
- Notice of Non-Liability for Labor and Materials Furnished

BLM Date Stamp	2015 AUG 27 A 9:58 PHOENIX, ARIZONA MINERAL RIGHTS OFFICE
----------------------	---

LINE NO.	AMC NUMBER	CLAIM/SITE NAME	COUNTY RECORDER DATA (If available)	TWP	RNG	SEC
68	410043	UMED.52		13N	15W	10
69	410044	UMED.53		13N	15W	10
70	410045	UMED.54		13N	15W	10
71	410046	UMED.55		13N	15W	10
72	410047	UMED.56		13N	15W	10

Form MCF114
Revised June 2005

This form is available from the **Arizona Department of Mines & Mineral Resources** and may be reproduced.

United States Department of the Interior
Bureau of Land Management
 LANDS/RECREATION & PLANNING
 ONE N CENTRAL AVE
 PHOENIX, AZ 85004 -2203
 Phone: 602-417-9200

Receipt

No: 3115405

Transaction #: 3207146	
Date of Transaction: 08/28/2014	
CUSTOMER: ENTERED INTO COMPUTER	
UMED HOLDINGS INC 6628 BRYANT IRVING RD STE 250 FORT WORTH, TX 76132 US	SEP - 2 2014 <i>RS</i>

LINE #	QTY	DESCRIPTION	REMARKS	UNIT PRICE	TOTAL
1	1.00	LOCATABLE MINERALS / MINING CLAIMS-NOT NEW-UNADJUD, ONE AUTH NO. ONLY / MINING CLAIM MONEY RECEIVED CASES: AMC402281/\$11160.00	MAINT FEE PYMNT (72) ✓ 2015	- n/a -	11160.00
TOTAL:					\$11,160.00

PAYMENT INFORMATION			
1	AMOUNT:	11160.00	POSTMARKED: 08/26/2014
	TYPE:	CHECK	RECEIVED: 08/27/2014
	CHECK NO:	3005	
	NAME:	UMED HOLDINGS INC 6628 BRYANT IRVING RD STE 250 FORT WORTH TX 76132 US	

REMARKS

This receipt was generated by the automated BLM Collections and Billing System and is a paper representation of a portion of the official electronic record contained therein.

FedEx

FedEx NEW Package
Express US Airbill

FedEx Tracking Number **8055 7897 3093**

Form No. **0200** *RG*

fedex.com 1.800.66FedEx 1.800.463.3339

1 From
Date 8-20-14
Sender's Name R. HADEN Phone 214-715-0910
Company UMED HOLDINGS INC
Address 6628 BURNING IRON DR
City FT. WORTH State TX ZIP 76132

2 Your Internal Billing Reference

3 To
Recipient's Name BLM Phone 602 417-9200
Company _____
Address ONE N. CENTRAL AVE
City PHOENIX State AZ ZIP 85004-2203



8055 7897 3093

4 Express Package Service *To meet to cadence.
NOTE: Service order has changed. Please select carefully.

Next Business Day
 FedEx First Overnight
 FedEx Priority Overnight
 FedEx Standard Overnight

2 or 3 Business Days
 FedEx 2Day A.M.
 FedEx 2Day
 FedEx Express Saver

5 Packaging *Declared value limit \$500.
 FedEx Envelope* FedEx Pak* FedEx Box FedEx Tube Other

6 Special Handling and Delivery Signature Options

SATURDAY Delivery
 No Signature Required
 Direct Signature
 Indirect Signature

Does this shipment contain dangerous goods?
 No Yes Yes Shipper's Declaration
 Dry Ice Cargo Aircraft Only

7 Payment Bill to: Enter FedEx Acct. No. or Credit Card No. below. Open/resp. Acct. No.

Sender Recipient Third Party Credit Card Cash/Check

Total Packages _____ Total Weight _____ Credit Card Auth. _____

RECEIVED
BLM AZ STATE OFFICE
275
2
PHOENIX, ARIZONA
AUG 27 10:56 AM '14



XH ZSYA
85004
AZ-US
PHX

TRK 8055 7897 3093
WED - 27 AUG AA
STANDARD OVERNIGHT



UNITED STATES US
TO
BLM
1 N CENTRAL AVE
PHOENIX AZ 85004
SHIP DATE: 28 AUG 14
ACTIVITY: 01:25
DMS: OKOQO IN
BILL SENDER

UNITED STATES
DEPARTMENT OF THE INTERIOR
BUREAU OF LAND MANAGEMENT
**MAINTENANCE FEE PAYMENT FORM
FOR PLACER MINING CLAIMS**

402281
406432
406865
409992

Remitter Name: UMED Holdings, Inc.

Mailing Address: 6628 Bryant Irving Rd, Suite 250

City, State, Zip: Fort Worth, TX 76132

Check here if this is a change of address.

FOR COUNTY RECORDER'S USE

No. of claims 72
Total due BLM \$ 10,080

- The maintenance fee may be paid by cash, check, money order, Bureau of Land Management (BLM) Declining Deposit Account, or credit card (VISA, American Express, Discover, or MasterCard). Payments must be remitted to the BLM State Office where your claim or site is recorded and received on or before September 1. If the payment is mailed, the envelope must be postmarked by a bona fide delivery service on or before September 1 and received at the proper BLM State Office within 15 calendar days after the due date. Payments may also be made by telephone using a credit card. A complete listing of BLM State Offices with their addresses and phone numbers can be found at <http://www.blm.gov>.
- The maintenance fee for the following claim(s) applies to the assessment year 2014.

CLAIM NAME	BLM SERIAL NO.	ACRES IN CLAIM	PAYMENT DUE TO THE BLM (See Instructions on Page 2)
Bevo I	402281	20	140
Bevo II	402282	20	140
Annette's Bevo	406432	20	140
David's Bevo	406433	20	140
Greg's Bevo	406434	20	140
Jared's Bevo	406435	20	140
Jerry's Bevo	406436	20	140
Jubel's Bevo	406437	20	140
Kevin's Bevo	406438	20	140
Pat's Bevo	406439	20	140

Use a separate sheet for additional claim names, serial numbers, and claimant names and addresses.

(Continued on page 2)

Receipt #10867/31
SEP - 4 2013
BY: *[Signature]*

2013 AUG 27 A 10:54

SUPPLEMENTAL ATTACHMENT

May be used with the following forms for listing additional mining claims:

Check One.

- Affidavit of Performance of Annual Work
- Maintenance Fee Payment
- Notice of Intent to Hold Mining Claims
- Notice of Non-Liability for Labor and Materials Furnished

BLM
Date
Stamp

LINE NO.	AMC NUMBER	CLAIM/SITE NAME	COUNTY RECORDER DATA (If available)	TWP	RNG	SEC
11	406440	Randy's Bevo		13N	15W	2
12	406441	Ric's Bevo		13N	15W	2
13	406442	Rob's Bevo		13N	15W	2
14	406443	Rod's Bevo		13N	15W	2
15	406444	Steve's Bevo		13N	15W	2
16	406865	Bevo III		13N	15W	2
17	409992	R8.28		14N	15W	34
18	409993	UMED.2		14N	15W	34
19	409994	UMED.3		14N	15W	34
20	409995	UMED.4		14N	15W	34
21	409996	UMED.5		14N	15W	34
22	409997	UMED.6		14N	15W	34
23	409998	UMED.7		14N	15W	34
24	409999	UMED.8		14N	15W	34
25	410000	UMED.9		14N	15W	34
26	410001	UMED.10		14N	15W	34
27	410002	UMED.11		14N	15W	34
28	410003	UMED.12		14N	15W	34
29	410004	UMED.13		14N	15W	34

Form MCF114
Revised June 2005

This form is available from the Arizona Department of Mines & Mineral Resources and may be reproduced.

RECEIVED
 BLM AZ STATE OFFICE
 2013 AUG 27 10:55 AM

SUPPLEMENTAL ATTACHMENT

May be used with the following forms for listing additional mining claims:

Check One.

- Affidavit of Performance of Annual Work
- Maintenance Fee Payment
- Notice of Intent to Hold Mining Claims
- Notice of Non-Liability for Labor and Materials Furnished

BLM
Date
Stamp

PHOENIX, ARIZONA

2013 AUG 27 A 10:55

RECEIVED
BLM AZ STATE OFFICE

LINE NO.	AMC NUMBER	CLAIM/SITE NAME	COUNTY RECORDER DATA (If available)	TWP	RNG	SEC
30	410005	UMED.14		14N	15W	34
31	410006	UMED.15		14N	15W	34
32	410007	UMED.16		14N	15W	34
33	410008	Ph 4.8		13N	15W	2
34	410009	UMED.18		13N	15W	2
35	410010	UMED.19		13N	15W	2
36	410011	UMED.20		13N	15W	2
37	410012	UMED.21		13N	15W	2
38	410013	UMED.22		13N	15W	2
39	410014	UMED.23		13N	15W	2
40	410015	UMED.24		13N	15W	2
41	410016	UMED.25		13N	15W	2
42	410017	UMED.26		13N	15W	2
43	410018	UMED.27		13N	15W	2
44	410019	UMED.28		13N	15W	2
45	410020	UMED.29		13N	15W	2
46	410021	UMED.30		13N	15W	2
47	410022	UMED.31		13N	15W	2
48	410023	UMED.32		13N	15W	2

Form MCF114
Revised June 2005

This form is available from the **Arizona Department of Mines & Mineral Resources** and may be reproduced.

SUPPLEMENTAL ATTACHMENT

May be used with the following forms for listing additional mining claims:

Check One.

- Affidavit of Performance of Annual Work
- Maintenance Fee Payment
- Notice of Intent to Hold Mining Claims
- Notice of Non-Liability for Labor and Materials Furnished

BLM
Date
Stamp

2013 AUG 27 A 10:55
PHOENIX, ARIZONA

RECEIVED
BIMAZ STATE OFFICE

LINE NO.	AMC NUMBER	CLAIM/SITE NAME	COUNTY RECORDER DATA (If available)	TWP	RNG	SEC
49	410024	Doug White		13N	15W	10
50	410025	UMED.34		13N	15W	10
51	410026	UMED.35		13N	15W	10
52	410027	UMED.36		13N	15W	10
53	410028	UMED.37		13N	15W	10
54	410029	UMED.38		13N	15W	10
55	410030	UMED.39		13N	15W	10
56	410031	UMED.40		13N	15W	10
57	410032	UMED.41		13N	15W	10
58	410033	UMED.42		13N	15W	10
59	410034	UMED.43		13N	15W	10
60	410035	UMED.44		13N	15W	10
61	410036	UMED.45		13N	15W	10
62	410037	UMED.46		13N	15W	10
63	410038	UMED.47		13N	15W	10
64	410039	UMED.48		13N	15W	10
65	410040	UMED.49		13N	15W	10
66	410041	UMED.50		13N	15W	10
67	410042	UMED.51		13N	15W	10

Form MCF114
Revised June 2005

SUPPLEMENTAL ATTACHMENT

May be used with the following forms for listing additional mining claims:

Check One.

- Affidavit of Performance of Annual Work
- Maintenance Fee Payment
- Notice of Intent to Hold Mining Claims
- Notice of Non-Liability for Labor and Materials Furnished

BLM
Date
Stamp

PHOENIX, ARIZONA

2013 AUG 27 A 10:55

RECEIVED
BLM AZ STATE OFFICE

LINE NO.	AMC NUMBER	CLAIM/SITE NAME	COUNTY RECORDER DATA (If available)	TWP	RNG	SEC
68	410043	UMED.52		13N	15W	10
69	410044	UMED.53		13N	15W	10
70	410045	UMED.54		13N	15W	10
71	410046	UMED.55		13N	15W	10
72	410047	UMED.56		13N	15W	10

Form MCF114
Revised June 2005

This form is available from the Arizona Department of Mines & Mineral Resources and may be reproduced.

FedEx *NEW Package*
Express *US Airbill*

FedEx Tracking Number **8005 6327 9926**

Form ID No. **0200**

Recipient's Copy

1 From
Date **8-26-2013**
Sender's Name **RANDY MUSELEY** Phone **817 296 3877**
Company **UMED HOLDINGS, INC.**
Address **6628 BRYANT IRVIN RD # 250**
City **FORT WORTH** State **TX** ZIP **76132**

2 Your Internal Billing Reference

3 To
Recipient's Name **MAINTENANCE FEES** Phone **602 417-9200**
Company **BLM**
Address **ONE N. CENTRAL AVE # 800**
City **PHOENIX** State **AZ** ZIP **85004**

4 Express Package Service * To most locations.
NOTE: Service order has changed. Please select carefully. **Packages up to 150 lbs.**
For packages over 150 lbs., use the new FedEx Express Freight US Airbill.

Next Business Day | **2 or 3 Business Days**

<input type="checkbox"/> FedEx First Overnight Earliest next business morning delivery to select locations. Friday shipments will be delivered on Monday unless SATURDAY Delivery is selected.	<input type="checkbox"/> FedEx 2Day A.M. Second business morning.* Saturday Delivery NOT available.
<input type="checkbox"/> FedEx Priority Overnight Next business morning.* Friday shipments will be delivered on Monday unless SATURDAY Delivery is selected.	<input type="checkbox"/> FedEx 2Day Second business afternoon.* Thursday shipments will be delivered on Monday unless SATURDAY Delivery is selected.
<input checked="" type="checkbox"/> FedEx Standard Overnight Next business afternoon.* Saturday Delivery NOT available.	<input type="checkbox"/> FedEx Express Saver Third business day.* Saturday Delivery NOT available.

5 Packaging * Declared value limit \$500.
 FedEx Envelope* FedEx Pak* FedEx Box FedEx Tube Other

6 Special Handling and Delivery Signature Options

SATURDAY Delivery
NOT available for FedEx Standard Overnight, FedEx 2Day A.M., or FedEx Express Saver.

No Signature Required
Package may be left without obtaining a signature for delivery.

Direct Signature
Someone at recipient's address may sign for delivery. *Fee applies.*

Indirect Signature
If no one is available at recipient's address, someone at a neighboring address may sign for delivery. For residential deliveries only. *Fee applies.*

Does this shipment contain dangerous goods?
(One box must be checked)

No **Yes** AS per attached Shipper's Declaration **Yes** Shipper's Declaration not required **Dry Ice** Dry Ice, 9, UN 1845 _____ x _____ kg

Dangerous goods (including dry ice) cannot be shipped in FedEx packaging or placed in a FedEx Express Drop Box. **Cargo Aircraft Only**

7 Payment Bill to: Enter FedEx Acct. No. or Credit Card No. below. Obtain recip Acct. No.

Sender Acct. No. in Section 1 will be billed. **Recipient** **Third Party** **Credit Card** **Cash/Check**

Total Packages _____ Total Weight _____ lbs. Credit Card Auth. _____



8005 6327 9926

†Our liability is limited to US\$100 unless you declare a higher value. See the current FedEx Service Guide for details. **644**

fedex.com 1.800.GoFedEx 1.800.463.3339

fedex.com 1.800.GoFedEx 1.800.463.3339

United States Department of the Interior
Bureau of Land Management
 LANDS/RECREATION & PLANNING
 ONE N CENTRAL AVE
 PHOENIX, AZ 85004 -2203
 Phone: 602-417-9200

Receipt

No: 2867131

Transaction #: 2953069	
Date of Transaction: 08/28/2013	
CUSTOMER:	
UMED HOLDINGS INC 6628 BRYANT IRVING RD STE 250 FORT WORTH, TX 76132 US	

LINE #	QTY	DESCRIPTION	REMARKS	UNIT PRICE	TOTAL
1	1.00	LOCATABLE MINERALS / MINING CLAIMS-NOT NEW-UNADJUD, ONE AUTH NO. ONLY / MINING CLAIM MONEY RECEIVED CASES: AMC402281/\$10080.00	MAINT FEE PYMNT (72) 2014	- n/a -	10080.00
TOTAL:					\$10,080.00

PAYMENT INFORMATION					
1	AMOUNT:	10080.00	POSTMARKED:	08/27/2013	
	TYPE:	CHECK	RECEIVED:	08/27/2013	
	CHECK NO:	5241			
	NAME:	UMED HOLDINGS INC 6628 BRYANT IRVING RD STE 250 FORT WORTH TX 76132 US			

REMARKS

This receipt was generated by the automated BLM Collections and Billing System and is a paper representation of a portion of the official electronic record contained therein.

402281
 406432
 406865
 409992

MAINTENANCE FEE PAYMENT

Claimant Name: UMED Holdings, Inc
 Address: 6628 Bryant Irving Rd, Suite 250
 City: Fort Worth State: TX Zip: 76132
 Telephone: 254 592-7905
 E-mail address: jubelc@att.net
 Signature: [Signature]
 Check here if this is a change of address.

RECEIVED
 BLM AZ STATE OFFICE
 2012 AUG 31 A 10:38
 PHOENIX, ARIZONA
 BLM
 Date
 Stamp

LINE NO.	AMC NUMBER	CLAIM/SITE NAME	COUNTY RECORDER DATA (If available)	TWP	RNG	SEC
1	402281	BEVO I		13N	15W	2
2	402282	BEVO II		13N	15W	2
3	406432	ANNETTE'S BEVO		13N	15W	2
4	406433	DAVID'S BEVO		13N	15W	2
5	406434	GREG'S BEVO		13N	15W	2
6	406435	JARED'S BEVO		13N	15W	2
7	406436	JERRY'S BEVO		13N	15W	2
8	406437	JUBEL'S BEVO		13N	15W	2
9	406438	KEVIN'S BEVO		13N	15W	2
10	406439	PAT'S BEVO		13N	15W	2

List additional claims on Form MCF114.

Bureau of Land Management
 Arizona State Office
www.blm.gov/az/

No. of Claims: 72 x \$140 = \$10,080.00
 Check No: 5093 Init. Adl.
 Receipt No.: 2648515
 For BLM Use Only

Form: MCF112
 Revised July 2009

This form is available from the Arizona Department of Mines and Mineral Resources and may be reproduced.

ENTERED IN COMPUTER

RE 9.11.12

SUPPLEMENTAL ATTACHMENT

May be used with the following forms for listing additional mining claims:

Check One.

- Affidavit of Performance of Annual Work
- Maintenance Fee Payment
- Notice of Intent to Hold Mining Claims
- Notice of Non-Liability for Labor and Materials Furnished

RECEIVED
BLM AZ STATE OFFICE
2012 AUG 31 A 10:38
PHOENIX, ARIZONA

BLM
Date
Stamp

LINE NO.	AMC NUMBER	CLAIM/SITE NAME	COUNTY RECORDER DATA (If available)	TWP	RNG	SEC
11	406440	Randy's BEVO		13 N	15 W	2
12	406441	Ric's BEVO		13 N	15 W	2
13	406442	Rob's BEVO		13 N	15 W	2
14	406443	Rod's BEVO		13 N	15 W	2
15	406444	STEVE'S BEVO		13 N	15 W	2
16	406865	BEVO III		13 N	15 W	2
17	409992	R 8.28		14 N	15 W	34
18	409993	UMED. 2		14 N	15 W	34
19	409994	UMED. 3		14 N	15 W	34
20	409995	UMED. 4		14 N	15 W	34
21	409996	UMED. 5		14 N	15 W	34
22	409997	UMED. 6		14 N	15 W	34
23	409998	UMED. 7		14 N	15 W	34
24	409999	UMED. 8		14 N	15 W	34
25	410000	UMED. 9		14 N	15 W	34
26	410001	UMED. 10		14 N	15 W	34
27	410002	UMED. 11		14 N	15 W	34
28	410003	UMED. 12		14 N	15 W	34
29	410004	UMED. 13		14 N	15 W	34

Form MCF114
Revised June 2005

SUPPLEMENTAL ATTACHMENT

May be used with the following forms for listing additional mining claims:

Check One.

- Affidavit of Performance of Annual Work
- Maintenance Fee Payment
- Notice of Intent to Hold Mining Claims
- Notice of Non-Liability for Labor and Materials Furnished

RECEIVED
BLM AZ STATE OFFICE
PHOENIX, ARIZONA
2012 AUG 31 A 10: 38
BLM
Date
Stamp

LINE NO.	AMC NUMBER	CLAIM/SITE NAME	COUNTY RECORDER DATA (If available)	TWP	RNG	SEC
30	410005	UMED. 14		14N	15W	34
31	410006	UMED. 15		14N	15W	34
32	410007	UMED. 16		14N	15W	34
33	410008	Ph 4.8		13N	15W	2
34	410009	UMED. 18		13N	15W	2
35	410010	UMED. 19		13N	15W	2
36	410011	UMED. 20		13N	15W	2
37	410012	UMED. 21		13N	15W	2
38	410013	UMED. 22		13N	15W	2
39	410014	UMED. 23		13N	15W	2
40	410015	UMED. 24		13N	15W	2
41	410016	UMED. 25		13N	15W	2
42	410017	UMED. 26		13N	15W	2
43	410018	UMED. 27		13N	15W	2
44	410019	UMED. 28		13N	15W	2
45	410020	UMED. 29		13N	15W	2
46	410021	UMED. 30		13N	15W	2
47	410022	UMED. 31		13N	15W	2
48	410023	UMED. 32		13N	15W	2

Form MCF114
Revised June 2005

This form is available from the Arizona Department of Mines & Mineral Resources and may be reproduced.

SUPPLEMENTAL ATTACHMENT

May be used with the following forms for listing additional mining claims:

Check One.

- Affidavit of Performance of Annual Work
- Maintenance Fee Payment
- Notice of Intent to Hold Mining Claims
- Notice of Non-Liability for Labor and Materials Furnished

BLM
Date
Stamp

RECEIVED
BLM AZ STATE OFFICE
PHOENIX, ARIZONA
2012 AUG 31 A 10 38

LINE NO.	AMC NUMBER	CLAIM/SITE NAME	COUNTY RECORDER DATA (If available)	TWP	RNG	SEC
49	410024	Doug White		13N	15W	10
50	410025	UMED. 34		13N	15W	10
51	410026	UMED. 35		13N	15W	10
52	410027	UMED. 36		13N	15W	10
53	410028	UMED. 37		13N	15W	10
54	410029	UMED. 38		13N	15W	10
55	410030	UMED. 39		13N	15W	10
56	410031	UMED. 40		13N	15W	10
57	410032	UMED. 41		13N	15W	10
58	410033	UMED. 42		13N	15W	10
59	410034	UMED. 43		13N	15W	10
60	410035	UMED. 44		13N	15W	10
61	410036	UMED. 45		13N	15W	10
62	410037	UMED. 46		13N	15W	10
63	410038	UMED. 47		13N	15W	10
64	410039	UMED. 48		13N	15W	10
65	410040	UMED. 49		13N	15W	10
66	410041	UMED. 50		13N	15W	10
67	410042	UMED. 51		13N	15W	10

Form MCF114
Revised June 2005

This form is available from the Arizona Department of Mines & Mineral Resources and may be reproduced.

SUPPLEMENTAL ATTACHMENT

May be used with the following forms for listing additional mining claims:

Check One.

- Affidavit of Performance of Annual Work
- Maintenance Fee Payment
- Notice of Intent to Hold Mining Claims
- Notice of Non-Liability for Labor and Materials Furnished

RECEIVED
 BLM AZ STATE OFFICE
 2012 AUG 31 A 10:38
 PHOENIX, ARIZONA
 BLM
 Date
 Stamp

LINE NO.	AMC NUMBER	CLAIM/SITE NAME	COUNTY RECORDER DATA (If available)	TWP	RNG	SEC
68	410043	LMED. 52		13N	15W	10
69	410044	LMED. 53		13N	15W	10
70	410045	LMED. 54		13N	15W	10
71	410046	LMED. 55		13N	15W	10
72	410047	LMED. 56		13N	15W	10

This form is available from the Arizona Department of Mines & Mineral Resources and may be reproduced.

United States Department of the Interior
Bureau of Land Management
 LANDS/RECREATION & PLANNING
 ONE N CENTRAL AVE
 PHOENIX, AZ 85004 -2203
 Phone: 602-417-9200

Receipt

No: 2648515

Transaction #: 2729292	
Date of Transaction: 09/04/2012	
CUSTOMER:	
UMED HOLDINGS INC 6628 BRYANT IRVING RD STE 250 FORT WORTH, TX 76132 US	

LINE #	QTY	DESCRIPTION	REMARKS	UNIT PRICE	TOTAL
1	1.00	LOCATABLE MINERALS / MINING CLAIMS-NOT NEW-UNADJUD, ONE AUTH NO. ONLY / MINING CLAIM MONEY RECEIVED CASES: AMC402281/\$10080.00	MAINT FEE PYMNT (72) 2013	- n/a -	10080.00
TOTAL:					\$10,080.00

PAYMENT INFORMATION			
1	AMOUNT:	10080.00	POSTMARKED: N/A
	TYPE:	CHECK	RECEIVED: 08/31/2012
	CHECK NO:	5093	
	NAME:	UMED HOLDINGS INC 4100 INTERNATIONAL PLZ STE 500 FORT WORTH TX 76132 US	

REMARKS

This receipt was generated by the automated BLM Collections and Billing System and is a paper representation of a portion of the official electronic record contained therein.

UMED Holdings, Inc.

119 Woodstream Ct.
Cresson, Texas 76035
817-296-3877

AMC 402281
AMC 406432
AMC 406865
AMC 409992

August 22, 2011

Bureau of Land Management
Arizona State Office
One North Central Avenue
Suite 800
Phoenix, AZ 85004-4427

Enclosed is a check for \$7,840.00 for the 2012 maintenance fees for the 56 AMC numbered claims listed on the attached maintenance fee payment form.

Thanks for your assistance.



Randy Moseley, CEO/CFO
817-296-3877
rmoseley@umedholdings.com

RECEIVED
BLM AZ STATE OFFICE
2011 AUG 24 A 8:17
PHOENIX, ARIZONA

SEP 6 2011
Cm

MAINTENANCE FEE PAYMENT

Claimant Name: UMED Holdings, Inc.
 Address: 119 Woodstream Ct.
 City: Cresson State: TX Zip: 76035
 Telephone: 817-296-3877
 E-mail address: amoseley@UMEDHOLDINGS.COM
 Signature: Randy Mosley - CFO

Check here if this is a change of address.

RECEIVED	BLM AZ STATE OFFICE	PHOENIX, ARIZONA	2011 AUG 24 A 8:18	BLM Date Stamp
----------	---------------------	------------------	--------------------	----------------------

LINE NO.	AMC NUMBER	CLAIM/SITE NAME	COUNTY RECORDER DATA (if available)	TWP	RNG	SEC
1	402281	BEVO I		13N	15W	2
2	402282	BEVO II		13N	15W	2
3	406432	ANNETTE'S BEVO		13N	15W	2
4	406433	DAVID'S BEVO		13N	15W	2
5	406434	GREG'S BEVO		13N	15W	2
6	406435	JARED'S BEVO		13N	15W	2
7	406436	JERRY'S BEVO		13N	15W	2
8	406437	JUBEL'S BEVO		13N	15W	2
9	406438	KEVIN'S BEVO		13N	15W	2
10	406439	PAT'S BEVO		13N	15W	2

List additional claims on Form MCF114.

Bureau of Land Management
 Arizona State Office
 www.blm.gov/az/

No. of Claims: <u>10</u> x \$140 = <u>2,240</u>
Check No: <u>5009</u> Init. <u>YME</u>
Receipt No.: <u>2413758</u>
For BLM Use Only

Form: MCF112
 Revised July 2009

This form is available from the Arizona Department of Mines and Mineral Resources and may be reproduced.

SUPPLEMENTAL ATTACHMENT

May be used with the following forms for listing additional mining claims:

Check One.

- Affidavit of Performance of Annual Work
- Maintenance Fee Payment
- Notice of Intent to Hold Mining Claims
- Notice of Non-Liability for Labor and Materials Furnished

BLM
Date
Stamp

2011 AUG 24 A 8 18
PHOENIX, ARIZONA

RECEIVED
BLM AZ STATE OFFICE

LINE NO.	AMC NUMBER	CLAIM/SITE NAME	COUNTY RECORDER DATA (If available)	TWP	RNG	SEC
11	406440	Randy's BEVO		13N	15W	2
12	406441	Ric's BEVO		13N	15W	2
13	406442	Rob's BEVO		13N	15W	2
14	406443	Rod's BEVO		13N	15W	2
15	406444	STEVE'S BEVO		13N	15W	2
16	406865	BEVO III		13N	15W	2

Form MCF114
Revised June 2005

This form is available from the Arizona Department of Mines & Mineral Resources and may be reproduced.

MAINTENANCE FEE PAYMENT

Claimant Name: UMED Holdings, Inc
 Address: 119 Woodstream Ct.
 City: Cresson State: TX Zip: 76035
 Telephone: 817-296-3877
 E-mail address: rmoseley@UMEDHoldings.com
 Signature: Randy Moseley - CFO

Check here if this is a change of address.

RECEIVED
 BLM AZ STATE OFFICE
 PHOENIX, ARIZONA
 2011 AUG 24 A 8:17
 BLM
 Date
 Stamp

LINE NO.	AMC NUMBER	CLAIM/SITE NAME	COUNTY RECORDER DATA (if available)	TWP	RNG	SEC
1	409992	R8.28		14N	15W	34
2	409993	UMED.2		14N	15W	34
3	409994	UMED.3		14N	15W	34
4	409995	UMED.4		14N	15W	34
5	409996	UMED.5		14N	15W	34
6	409997	UMED.6		14N	15W	34
7	409998	UMED.7		14N	15W	34
8	409999	UMED.8		14N	15W	34
9	410000	UMED.9		14N	15W	34
10	410001	UMED.10		14N	15W	34

List additional claims on Form MCF114.

Bureau of Land Management
 Arizona State Office
 www.blm.gov/az/

No. of Claims: 56 x \$140 = 7,840
 Check No: 5010 Init. YML
 Receipt No.: 2413758
 For BLM Use Only

Form: MCF112
 Revised July 2009

This form is available from the Arizona Department of Mines and Mineral Resources and may be reproduced.

SUPPLEMENTAL ATTACHMENT

May be used with the following forms for listing additional mining claims:

Check One.

- Affidavit of Performance of Annual Work
- Maintenance Fee Payment
- Notice of Intent to Hold Mining Claims
- Notice of Non-Liability for Labor and Materials Furnished

RECEIVED
BLM AZ STATE OFFICE
2011 AUG 24 A 8:18
PHOENIX, ARIZONA
BLM
Date
Stamp

LINE NO.	AMC NUMBER	CLAIM/SITE NAME	COUNTY RECORDER DATA (If available)	TWP	RNG	SEC
11	410002	UMED. 11		14N	15W	34
12	410003	UMED. 12		14N	15W	34
13	410004	UMED. 13		14N	15W	34
14	410005	UMED. 14		14N	15W	34
15	410006	UMED. 15		14N	15W	34
16	410007	UMED. 16		14N	15W	34
17	410008	Ph 4.8		13N	15W	2
18	410009	UMED. 18		13N	15W	2
19	410010	UMED. 19		13N	15W	2
20	410011	UMED. 20		13N	15W	2
21	410012	UMED. 21		13N	15W	2
22	410013	UMED. 22		13N	15W	2
23	410014	UMED. 23		13N	15W	2
24	410015	UMED. 24		13N	15W	2
25	410016	UMED. 25		13N	15W	2
26	410017	UMED. 26		13N	15W	2
27	410018	UMED. 27		13N	15W	2
28	410019	UMED. 28		13N	15W	2
29	410020	UMED. 29		13N	15W	2

Form MCF114
Revised June 2005

SUPPLEMENTAL ATTACHMENT

May be used with the following forms for listing additional mining claims:

Check One.

- Affidavit of Performance of Annual Work
- Maintenance Fee Payment
- Notice of Intent to Hold Mining Claims
- Notice of Non-Liability for Labor and Materials Furnished

RECEIVED
BLM AZ STATE OFFICE

PHOENIX, ARIZONA

2011 AUG 24 A 8:18

BLM
Date
Stamp

LINE NO.	AMC NUMBER	CLAIM/SITE NAME	COUNTY RECORDER DATA (If available)	TWP	RNG	SEC
30	410021	UMED. 30		13N	15W	2
31	410022	UMED. 31		13N	15W	2
32	410023	UMED. 32		13N	15W	2
33	410024	Doug White		13N	15W	10
34	410025	UMED. 34		13N	15W	10
35	410026	UMED. 35		13N	15W	10
36	410027	UMED. 36		13N	15W	10
37	410028	M5.6		13N	15W	10
38	410029	UMED. 38		13N	15W	10
39	410030	UMED. 39		13N	15W	10
40	410031	UMED. 40		13N	15W	10
41	410032	UMED. 41		13N	15W	10
42	410033	UMED. 42		13N	15W	10
43	410034	UMED. 43		13N	15W	10
44	410035	UMED. 44		13N	15W	10
45	410036	UMED. 45		13N	15W	10
46	410037	UMED. 46		13N	15W	10
47	410038	UMED. 47		13N	15W	10
48	410039	UMED. 48		13N	15W	10

Form MCF114
Revised June 2005

This form is available from the Arizona Department of Mines & Mineral Resources and may be reproduced.

SUPPLEMENTAL ATTACHMENT

May be used with the following forms for listing additional mining claims:

Check One.

- Affidavit of Performance of Annual Work
- Maintenance Fee Payment
- Notice of Intent to Hold Mining Claims
- Notice of Non-Liability for Labor and Materials Furnished

RECEIVED
BLM AZ STATE OFFICE
2011 AUG 24 A 8:18
PHOENIX, ARIZONA
BLM
Date
Stamp

LINE NO.	AMC NUMBER	CLAIM/SITE NAME	COUNTY RECORDER DATA (If available)	TWP	RNG	SEC
49	410040	UMED. 49		13N	15W	10
50	410041	UMED. 50		13N	15W	10
51	410042	UMED. 51		13N	15W	10
52	410043	UMED. 52		13N	15W	10
53	410044	UMED. 53		13N	15W	10
54	410045	UMED. 54		13N	15W	10
55	410046	UMED. 55		13N	15W	10
56	410047	UMED. 56		13N	15W	10

Form MCF114
Revised June 2005

This form is available from the Arizona Department of Mines & Mineral Resources and may be reproduced.

UMED Holdings, Inc.

119 Woodstream Ct.
Cresson, Texas 76035
817-296-3877


August 22, 2011

Bureau of Land Management
Arizona State Office
One North Central Avenue
Suite 800
Phoenix, AZ 85004-4427

Enclosed is a check for \$2,240.00 for the 2012 maintenance fees for the 16 AMC numbered claims listed on the attached maintenance fee payment form.

UMED Holdings, Inc. was formerly Universal Media Corporation. Enclosed is a copy of the amended articles of incorporation filed with the Texas Secretary of State for the name change.

Thanks for your assistance.



Randy Moseley, CEO/CFO
817-296-3877
rmoseley@umedholdings.com

RECEIVED
BLM AZ STATE OFFICE
2011 AUG 24 A 8:18
PHOENIX, ARIZONA



Office of the Secretary of State

CERTIFICATE OF FILING OF

UMED Holdings, Inc.
800064079

[formerly: Universal Media Corporation]

The undersigned, as Secretary of State of Texas, hereby certifies that a Certificate of Amendment for the above named entity has been received in this office and has been found to conform to the applicable provisions of law.

ACCORDINGLY, the undersigned, as Secretary of State, and by virtue of the authority vested in the secretary by law, hereby issues this certificate evidencing filing effective on the date shown below.

Dated: 03/23/2011

Effective: 03/23/2011

RECEIVED
BLMAZ STATE OFFICE
2011 AUG 24 A 8:18
PHOENIX, ARIZONA



A handwritten signature in cursive script, appearing to read "Hope Andrade".

Hope Andrade
Secretary of State

26-3099192

Come visit us on the internet at <http://www.sos.state.tx.us/>

Form 424
(Revised 12/09)

Submit in duplicate to:
Secretary of State
P.O. Box 13697
Austin, TX 78711-3697
512 463-5555
FAX: 512/463-5709

Filing Fee: See instructions



Certificate of Amendment

This space reserved for office use.
FILED
In the Office of the
Secretary of State of Texas
MAR 23 2011
Corporations Section

Entity Information

The name of the filing entity is:

Universal Media Corporation

State the name of the entity as currently shown in the records of the secretary of state. If the amendment changes the name of the entity, state the old name and not the new name.

The filing entity is a: (Select the appropriate entity type below.)

- For-profit Corporation
- Nonprofit Corporation
- Cooperative Association
- Limited Liability Company
- Professional Corporation
- Professional Limited Liability Company
- Professional Association
- Limited Partnership

RECEIVED
PHOENIX, ARIZONA
2011 AUG 24 A 8:18
PHOENIX STATE OFFICE

The file number issued to the filing entity by the secretary of state is: 801109621

The date of formation of the entity is: March 13, 2002

Amendments

1. Amended Name

(If the purpose of the certificate of amendment is to change the name of the entity, use the following statement)

The amendment changes the certificate of formation to change the article or provision that names the filing entity. The article or provision is amended to read as follows:

The name of the filing entity is: (state the new name of the entity below)

UMED Holdings, Inc.

The name of the entity must contain an organizational designation or accepted abbreviation of such term, as applicable.

2. Amended Registered Agent/Registered Office

The amendment changes the certificate of formation to change the article or provision stating the name of the registered agent and the registered office address of the filing entity. The article or provision is amended to read as follows:

Registered Agent
(Complete either A or B, but not both. Also complete C.)

A. The registered agent is an organization (cannot be entity named above) by the name of:

OR

B. The registered agent is an individual resident of the state whose name is:

First Name	M.I.	Last Name	Suffix
------------	------	-----------	--------

The person executing this instrument affirms that the person designated as the new registered agent has consented to serve as registered agent.

C. The business address of the registered agent and the registered office address is:

119 Woodstream CT	Cresson	TX	76035
<i>Street Address (No P.O. Box)</i>	<i>City</i>	<i>State</i>	<i>Zip Code</i>

3. Other Added, Altered, or Deleted Provisions

Other changes or additions to the certificate of formation may be made in the space provided below. If the space provided is insufficient, incorporate the additional text by providing an attachment to this form. Please read the instructions to this form for further information on format.

Text Area (The attached addendum, if any, is incorporated herein by reference.)

Add each of the following provisions to the certificate of formation. The identification or reference of the added provision and the full text are as follows:

RECEIVED
BLM AZ STATE OFFICE
2011 AUG 24 A 8:18
PHOENIX, ARIZONA

Alter each of the following provisions of the certificate of formation. The identification or reference of the altered provision and the full text of the provision as amended are as follows:

Delete each of the provisions identified below from the certificate of formation.

Statement of Approval

The amendments to the certificate of formation have been approved in the manner required by the Texas Business Organizations Code and by the governing documents of the entity.

Effectiveness of Filing (Select either A, B, or C.)

- A. This document becomes effective when the document is filed by the secretary of state.
- B. This document becomes effective at a later date, which is not more than ninety (90) days from the date of signing. The delayed effective date is: _____
- C. This document takes effect upon the occurrence of a future event or fact, other than the passage of time. The 90th day after the date of signing is: _____

The following event or fact will cause the document to take effect in the manner described below:

Execution

The undersigned signs this document subject to the penalties imposed by law for the submission of a materially false or fraudulent instrument and certifies under penalty of perjury that the undersigned is authorized under the provisions of law governing the entity to execute the filing instrument.

Date: March 23, 2011

By: _____

Randy Moseley, CEO/CFO
Signature of authorized person

Randy Moseley, CEO/CFO
Printed or typed name of authorized person (see instructions)

RECEIVED
BLM AZ STATE OFFICE
2011 AUG 24 A 8:18
PHOENIX, ARIZONA

NOTICE!!

These documents have been scanned!

Do not place un-scanned documents beneath this notice!

Do not remove this notice from this file!

GPO Jacket No. 560-102
Print Order 61540
Rise Business Services, LLC
Job=AZ15 5/16/2019



Box Number= AZ15056



Claim Begin-End: AMC409992-AMC410047

6 Location Notices-Amendments and Supporting Documents



AZ15056-8

AMC409378-AMC410492

MINING CLAIM STATUS REPORT

DATA ENTERED ENTERED INTO COMPUTER AUG 24 2011 *cm*

MTP Checked by *cm*

GEO Checked by *cm*

LEAD SERIAL NUMBER AMC 409992 thru AMC 410047

OF CLAIMS & TYPE

- # 50 LODE
- # 50 PLACER
- # _____ ASSOCIATION PLACER
- # _____ MILL SITE
- # _____ TUNNEL SITE

CHARGES

- Location Fee @ \$34 = \$ _____
- Processing Fee @ \$15 = \$ _____
- Maintenance Fee @ \$140 = \$ _____
- Overage (+) \$ _____
- Shortage (-) \$ _____
- Other Fees \$ _____
- TOTAL** \$ _____

ARE THERE ENOUGH LOCATORS?

Yes () No () _____

DOCUMENTS RECEIVED VIA -

Over-the-Counter () Mail ()

TIMELY FILED?

Yes () No ()

LEGAL DESCRIPTION -	T <u>14N</u>	R <u>15W</u>	SEC <u>34</u>
	T <u>13N</u>	R <u>15W</u>	SEC <u>2, 10</u>
	T _____	R _____	SEC _____
	T _____	R _____	SEC _____

BLM () FOREST SERVICE () _____ SUBJ TO PL 359: Yes () No ()

WILDERNESS AREA: No () Yes () _____

SPLIT ESTATE - N/A () SX () PX () SRHA () OTHER () _____

Proper Notice Filed if Located on SHRA Lands? N/A () Yes () No ()

RECONVEYED MINERALS ON BLM LANDS REQUIRE OPENING ORDERS FROM 1944 TO 1993 -
Open to Entry on: _____ N/A ()

COMMENTS/STATUS - VOID () PARTIALLY VOID () PVT MINERALS () WITHDRAWN LANDS ()
OTHER () _____

Claimant acknowledges that portions of the following claims(s) site(s) may be void or voidable.

Printed Name of Claimant _____

Signature of Claimant _____

***** FINAL ADJUDICATION *****

DATE 3/21/2012 INITIALS TS

AMC409992

cm

Thrower, Amy F

From: Jubel Caldwell <jubelc@att.net>
Sent: Sunday, October 30, 2011 7:38 PM
To: Thrower, Amy F
Cc: Kevin Bentley; Richard Halden
Subject: UMED Holdings claims

Amy Thrower,

I was out at our site this weekend and noticed that our claims had been disturbed. There was missing claim papers and someone had destroyed our markings on our stakes and used the stakes for themselves.

Our claims are in:

14N, 15W, Sec 34, AMC409992 thru 410007.

13N, 15W, Sec 2, AMC402281, AMC402282, AMC406432 thru AMC406444 and AMC410008 thru AMC410023.

13N, 15W, Sec 10, AMC410024 thru AMC410047.

The claims that had replaced ours were by CLEANTECH, and one of the numbers is AMC410753.

I noticed on their paperwork that they filed with the BLM on 9/13/2011 at 11:04 am and then they filed with Mohave County on the same day at 4:22 pm.

My purpose in this email is to lodge a formal complaint against the locator of these claims for disturbing and destroying our claim notices. I will be out at the site again tomorrow on Oct 31, 2011 and will probably not have cellular service. I will be back in service tomorrow evening and will check my email and voicemail for any suggestions you may have.

Appreciatively Yours,

Jubel Caldwell
UMED Holdings, Inc
cell 254 592-7905
*****@att.net

UMED Holdings, Inc.

119 Woodstream Ct.
Cresson, Texas 76035
817-296-3877

August 9, 2011

Bureau of Land Management
Arizona State Office
One North Central Avenue
Suite 800
Phoenix, AZ 85004-4427

Please File the enclosed Location Notices for Placer Mining Claims located in Mohave County, Arizona.

Enclosed is a check for \$10,584.00 to cover the filing fee for the 56 individual claims.

Please return a stamped copy to 119 Woodstream Ct., Cresson, Texas 76035.

Thanks for your assistance.



Randy Moseley, CEO/CFO
817-296-3877
rmoseley@hotmail.com

RECEIVED
BLM AZ STATE OFFICE
2011 AUG 11 A 8:12
PHOENIX, ARIZONA

AMC409992



FEE# 2011031164

OFFICIAL RECORDS
OF MOHAVE COUNTY
CAROL MEIER,
COUNTY RECORDER



06/13/2011 09:27 AM Fee: \$14.00

PAGE: 1 of 2

LOCATION NOTICE FOR PLACER MINING CLAIM

NOTICE IS HEREBY GIVEN that the R8.28
_____ placer mining claim has been located by
UMED Holdings, Inc. whose current mailing
address is 119 Woodstream Ct.
CRESSON, TX 76035

Ret:

RECEIVED
BLM AZ STATE OFFICE
2011 AUG 11 A 8:12
PHOENIX, ARIZONA
BLM
Date
Stamp

The general course of this claim is SE 1/4 of Sec 34 and it is situated in
Mohave County, Arizona.

This claim is 660 feet in length and 1320 feet in width. This claim runs from the
location monument on which this location notice is posted approximately 660 feet in a North
direction to the North end line and 1320 feet in a East direction to the East end line.
This claim is marked by four monuments, one at each corner of the claim.

The location monument on which this notice is posted is situated within Section 34, Township
14 N, Range 15 W, Gila Salt River Base and Meridian, Arizona. This claim encompasses
portions of the following legal subdivision(s) if located by legal subdivision or the following quarter section (s),
section (s), Township (s) and Range (s) N 1/2 of NE 1/4 of the SE 1/4 of Section 34,
Twn 14N, Range 15W, Mohave County, Gila Salt River Base and Meridian, Arizona.

The locality of this claim with reference to some natural object or permanent monument and additional
information (if any) concerning its locality are as follows: 1980' North & 1320' West
of NW corner of BEVO I.

DATED AND POSTED on the ground this 8 day of June, 2011.

LOCATOR (s) Jubal Caldwell
Jubal Caldwell
230 Cheyenne

Form MCF102
Revised July 2005

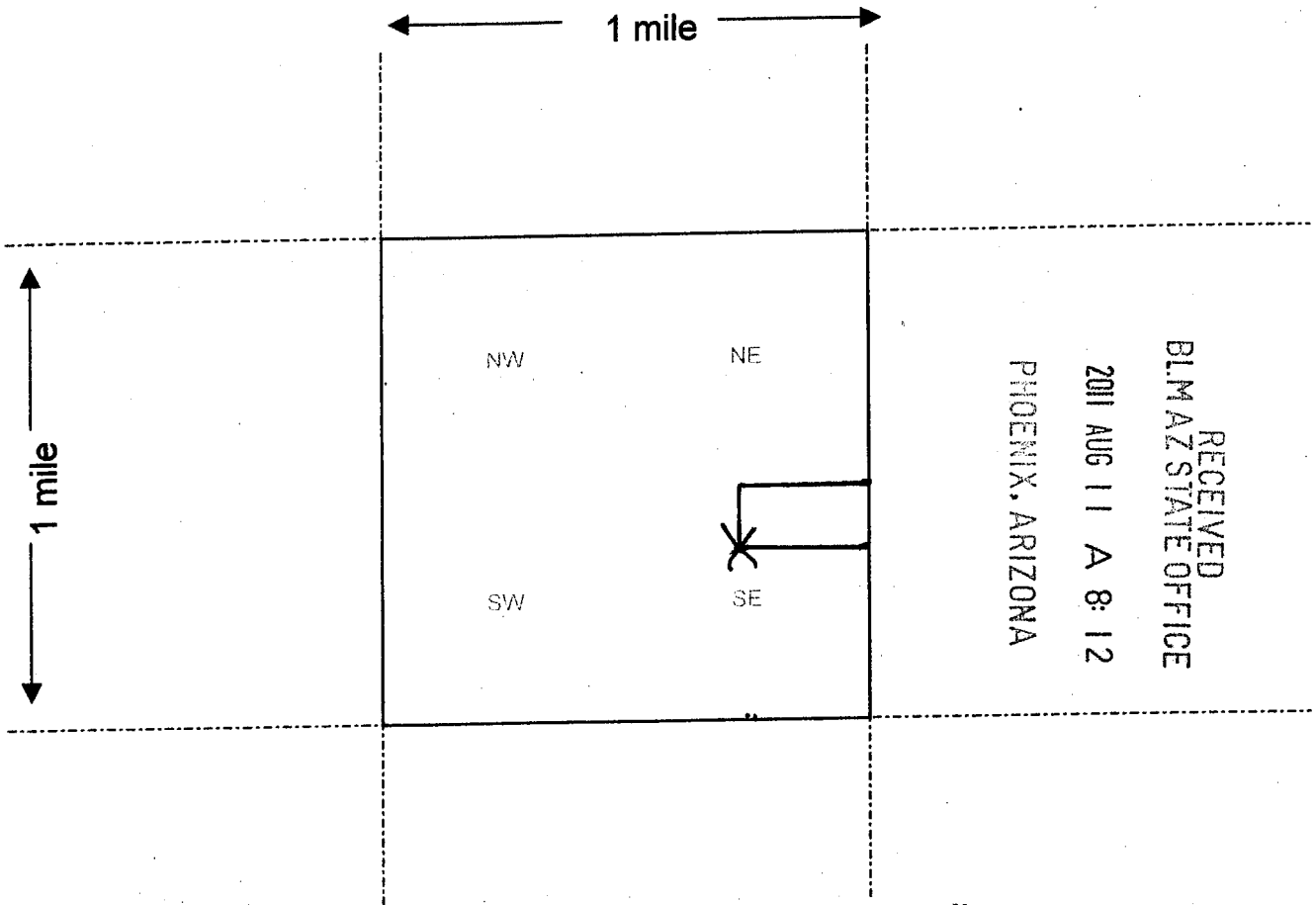
This form is available from the Arizona Department of Mines & Mineral Resources and may be reproduced.

Stephenville, TX 76401

AMC409992

MINING CLAIM MAP

Lode () Placer (X)



Scale : 1" = 2000 feet



1. The above map depicts the R 8.28 mining claim, which is located in Section (s) 34, Township 14 N, Range 15 W, Gila and Salt River Base and Meridian, Mohave County, Arizona.
2. The type of corner and location monuments used are as follows: 5' wooden stake
3. The bearings and distances in degrees and feet between claim corners are as depicted on the map.

Form MCF100a
Revised July 2005

This form is available from the Arizona Department of Mines & Mineral Resources and may be reproduced.

2



FEE# 2011031165

OFFICIAL RECORDS OF MOHAVE COUNTY CAROL MEIER, COUNTY RECORDER



06/13/2011 09:27 AM Fee: \$14.00

PAGE: 1 of 2

LOCATION NOTICE FOR PLACER MINING CLAIM

NOTICE IS HEREBY GIVEN that the UMED.2 placer mining claim has been located by UMED Holdings, Inc. whose current mailing address is 119 Woodstream Ct. CRESSON, TX 76035

Beji

RECEIVED
BLM AZ STATE OFFICE
2011 AUG 11 A 8:13
PHOENIX, ARIZONA
BLM Date Stamp

The general course of this claim is SE 1/4 of Sec. 34 and it is situated in Mohave County, Arizona.

This claim is 660 feet in length and 1320 feet in width. This claim runs from the location monument on which this location notice is posted approximately 660 feet in a North direction to the North end line and 1320 feet in a East direction to the East end line.

This claim is marked by four monuments, one at each corner of the claim.

The location monument on which this notice is posted is situated within Section 34, Township 14 N, Range 15 W, Gila Salt River Base and Meridian, Arizona. This claim encompasses portions of the following legal subdivision(s) if located by legal subdivision or the following quarter section (s), section (s), Township (s) and Range (s) N 1/2 of the NW 1/4 of the SE 1/4 of Section 34, Twp 14N, Range 15W, Mohave County, Gila Salt River Base and Meridian, Arizona.

The locality of this claim with reference to some natural object or permanent monument and additional information (if any) concerning its locality are as follows: 1980' North & 2640' West of NW corner of Bevo I.

DATED AND POSTED on the ground this 8 day of June, 2011.

LOCATOR (s) Jubal Caldwell
Jubal Caldwell
230 Cheyenne

Form MCF102
Revised July 2005

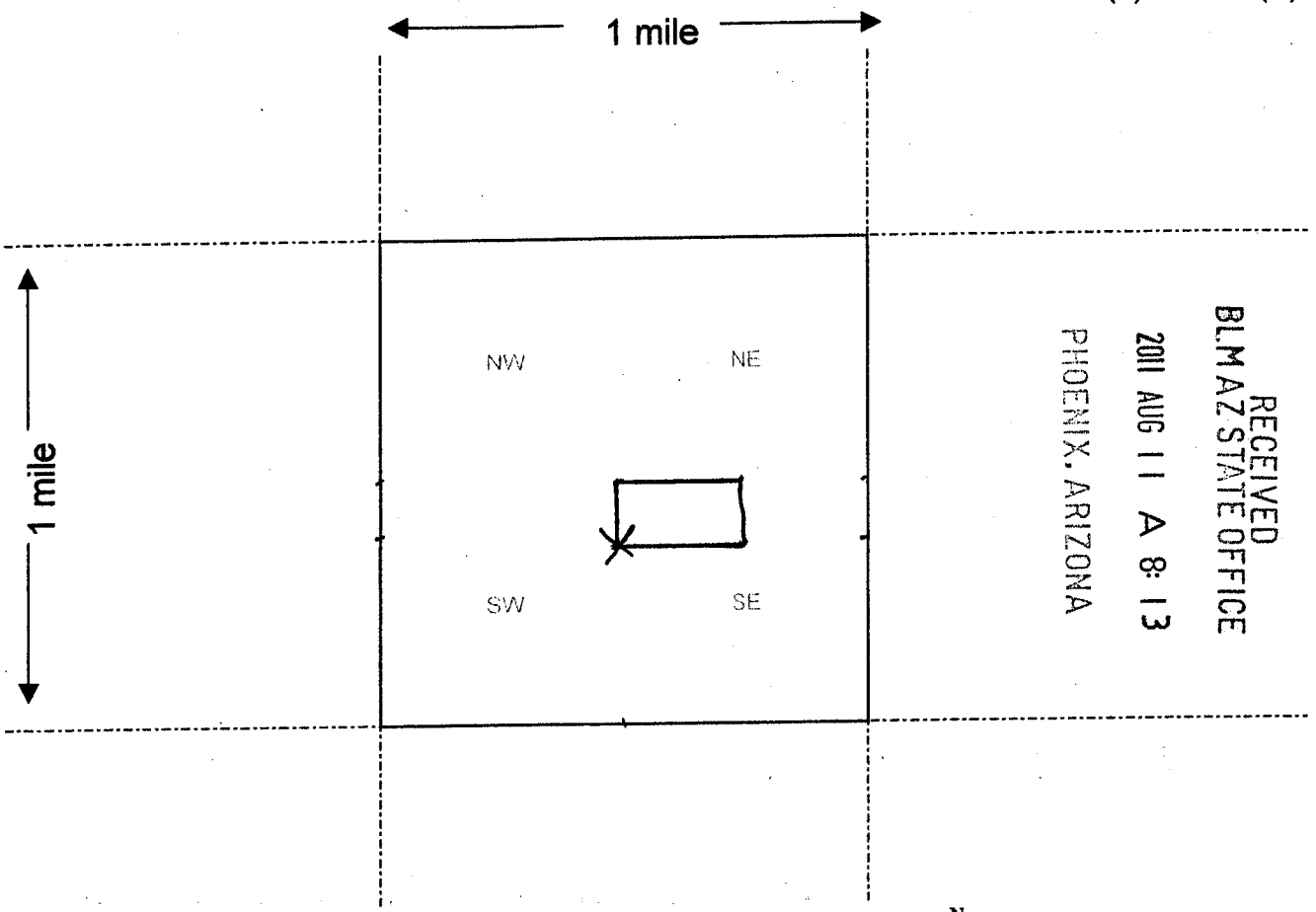
This form is available from the Arizona Department of Mines & Mineral Resources and may be reproduced.

Stephanville, TX 76401

AMC409993

MINING CLAIM MAP

Lode () Placer (X)



RECEIVED
BLM AZ STATE OFFICE
2011 AUG 11 A 8:13
PHOENIX, ARIZONA

Scale: 1" = 2000 feet



1. The above map depicts the UMED. 2 mining claim, which is located in Section (s) 34, Township 14 N, Range 15 W, Gila and Salt River Base and Meridian, Mohave County, Arizona.
2. The type of corner and location monuments used are as follows: 5' wooden stake.
3. The bearings and distances in degrees and feet between claim corners are as depicted on the map.

Form MCF100a
Revised July 2005

2



FEE# 2011031166

OFFICIAL RECORDS OF MOHAVE COUNTY CAROL MEIER, COUNTY RECORDER



06/13/2011 09:27 AM Fee: \$14.00

PAGE: 1 of 2

LOCATION NOTICE FOR PLACER MINING CLAIM

NOTICE IS HEREBY GIVEN that the UMED. 3 placer mining claim has been located by UMED Holdings, Inc. whose current mailing address is 119 Woodstream Ct. CRESSON, TX 76035

Ret.

RECEIVED BLM AZ STATE OFFICE 2011 AUG 11 A 8:13 PHOENIX, ARIZONA BLM Date Stamp

The general course of this claim is SW 1/4 of Sec. 34 and it is situated in Mohave County, Arizona.

This claim is 660 feet in length and 1320 feet in width. This claim runs from the location monument on which this location notice is posted approximately 660 feet in a North direction to the North end line and 1320 feet in a EAST direction to the EAST end line. This claim is marked by four monuments, one at each corner of the claim.

The location monument on which this notice is posted is situated within Section 34, Township 14 N, Range 15 W, Gila Salt River Base and Meridian, Arizona. This claim encompasses portions of the following legal subdivision(s) if located by legal subdivision or the following quarter section (s), section (s), Township (s) and Range (s) N 1/2 of the NE 1/4 of the SW 1/4 of Section 34, Twn 14N, Range 15W, Mohave County, Gila Salt River Base and Meridian, Arizona.

AMC409994

The locality of this claim with reference to some natural object or permanent monument and additional information (if any) concerning its locality are as follows: 1980' North of 3960' West of NW corner of Bevo I.

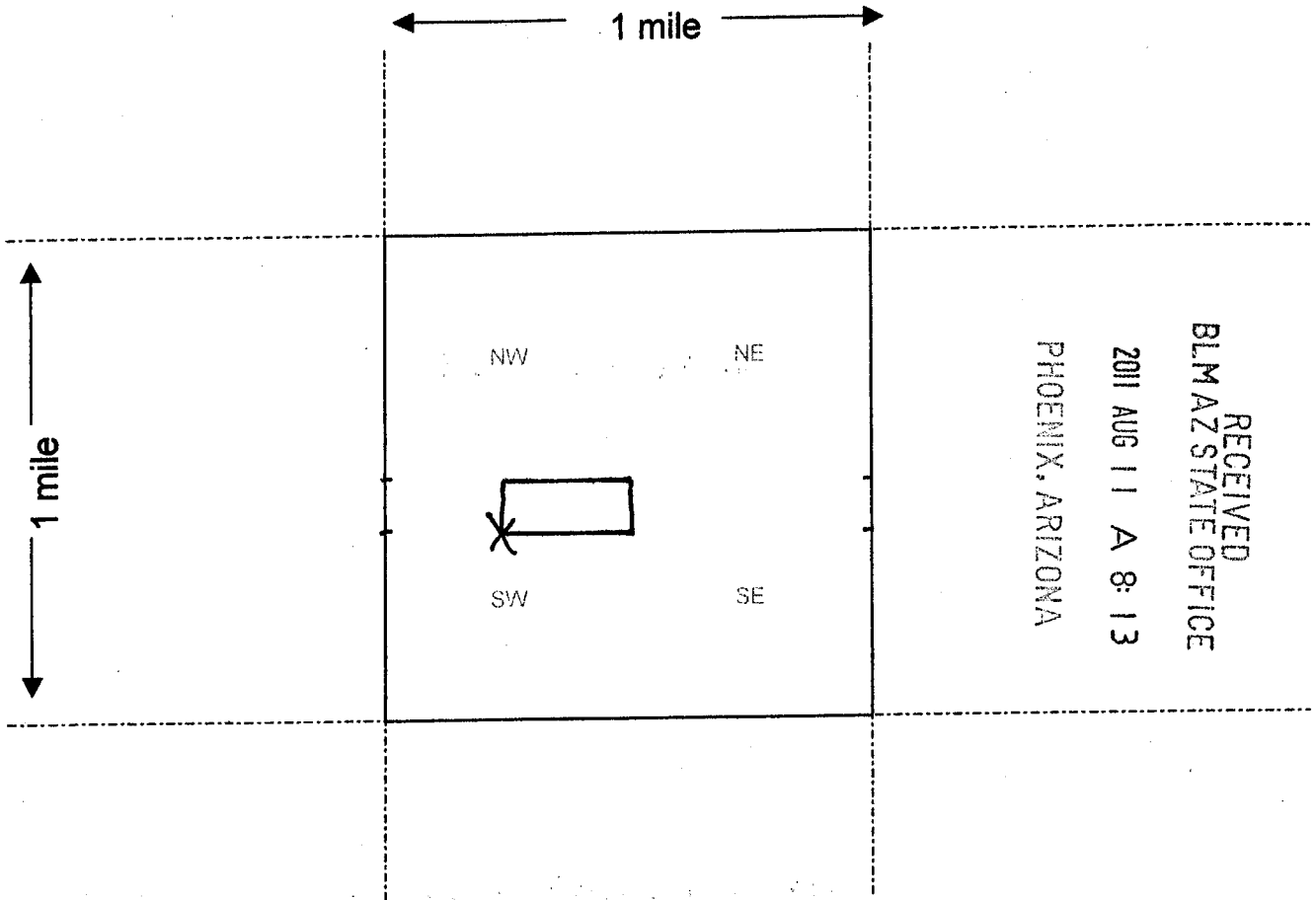
DATED AND POSTED on the ground this 8 day of June, 2011

LOCATOR (s) Jubal Caldwell
Jubal Caldwell
230 CHEYENNE

Form MCF102 Revised July 2005

MINING CLAIM MAP

Lode () Placer (X)



RECEIVED
BLM AZ STATE OFFICE
2011 AUG 11 A 8:13
PHOENIX, ARIZONA

Scale : 1" = 2000 feet



1. The above map depicts the UMED. 3 mining claim, which is located in Section (s) 34, Township 14 N, Range 15 W, Gila and Salt River Base and Meridian, Mohave County, Arizona.
2. The type of corner and location monuments used are as follows: 5' wooden stake.
3. The bearings and distances in degrees and feet between claim corners are as depicted on the map.

Form MCF100a
Revised July 2005

This form is available from the Arizona Department of Mines & Mineral Resources and may be reproduced.



FEE# 2011031167

OFFICIAL RECORDS
OF MOHAVE COUNTY
CAROL MEIER,
COUNTY RECORDER



06/13/2011 09:27 AM Fee: \$14.00

PAGE: 1 of 2

LOCATION NOTICE FOR PLACER MINING CLAIM

NOTICE IS HEREBY GIVEN that the UMED.4

_____ placer mining claim has been located by

UMED Holdings, Inc. whose current mailing

address is 119 Woodstream Ct.

CRESSON, TX 76035

Ref:

RECEIVED
BLM AZ STATE OFFICE
2011 AUG 11 A 8:13
PHOENIX, ARIZONA
BLM
Date
Stamp

The general course of this claim is SW 1/4 of Sec. 34 and it is situated in

Mohave County, Arizona.

This claim is 660 feet in length and 1320 feet in width. This claim runs from the location monument on which this location notice is posted approximately 660 feet in a North direction to the North end line and 1320 feet in a EAST direction to the EAST end line.

This claim is marked by four monuments, one at each corner of the claim.

The location monument on which this notice is posted is situated within Section 34, Township 14 N, Range 15 W, Gila Salt River Base and Meridian, Arizona. This claim encompasses portions of the following legal subdivision(s) if located by legal subdivision or the following quarter section (s), section (s), Township (s) and Range (s) N 1/2 of the NW 1/4 of the SW 1/4 of Section 34, T14N, R15W, Mohave County, Gila Salt River Base and Meridian, Arizona.

The locality of this claim with reference to some natural object or permanent monument and additional information (if any) concerning its locality are as follows: 1980' North ? 5280' West of NW corner of Bero I.

DATED AND POSTED on the ground this 8 day of June, 2011.

LOCATOR (s) Jubal Caldwell

Jubal Caldwell
230 Cheyenne

Form MCF102
Revised July 2005

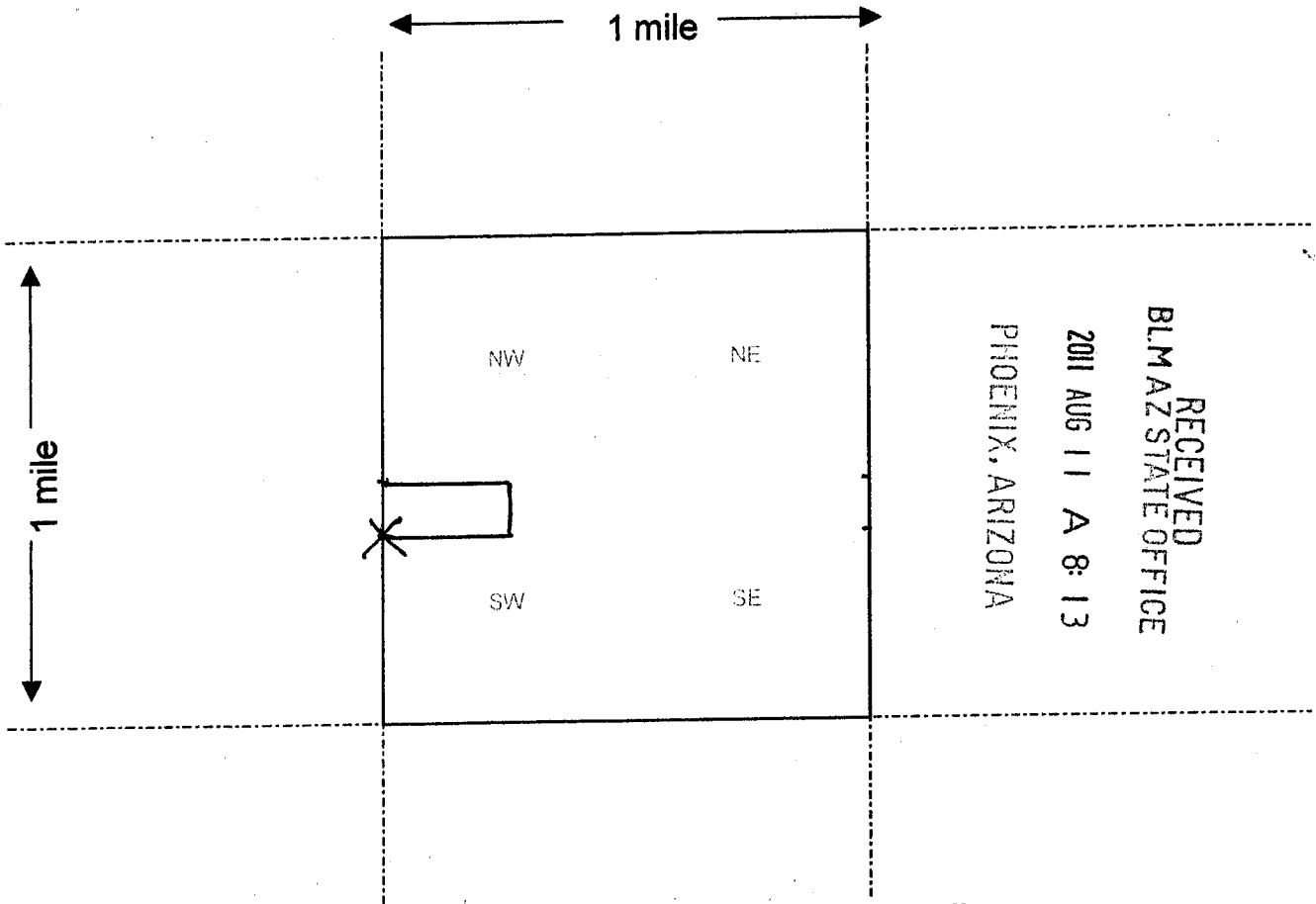
This form is available from the Arizona Department of Mines & Mineral Resources and may be reproduced.

Stephanville, TX 76401

AMC409995

MINING CLAIM MAP

Lode () Placer (X)



Scale : 1" = 2000 feet



1. The above map depicts the UMED. 4 mining claim, which is located in Section (s) 34, Township 14 N, Range 15 W, Gila and Salt River Base and Meridian, Mohave County, Arizona.
2. The type of corner and location monuments used are as follows: 5' wooden stake.
3. The bearings and distances in degrees and feet between claim corners are as depicted on the map.

Form MCF100a
Revised July 2005

This form is available from the Arizona Department of Mines & Mineral Resources and may be reproduced.

FEE# 2011031168

OFFICIAL RECORDS
OF MOHAVE COUNTY
CAROL MEIER,
COUNTY RECORDER



06/13/2011 09:27 AM Fee: \$14.00

PAGE: 1 of 2

LOCATION NOTICE FOR PLACER MINING CLAIM

NOTICE IS HEREBY GIVEN that the UMED.5
_____ placer mining claim has been located by
UMED Holdings, Inc. whose current mailing
address is 119 Woodstream Ct.
CRESSON, TX 76035

RECEIVED
BLM AZ STATE OFFICE
2011 AUG 11 A 8:13
PHOENIX, ARIZONA
BLM
Date
Stamp

The general course of this claim is SE 1/4 of Sec. 34 and it is situated in

Mohave County, Arizona.

This claim is 660 feet in length and 1320 feet in width. This claim runs from the
location monument on which this location notice is posted approximately 660 feet in a North
direction to the North end line and 1320 feet in a EAST direction to the EAST end line.

This claim is marked by four monuments, one at each corner of the claim.

The location monument on which this notice is posted is situated within Section 34, Township
14 N, Range 15 W, Gila Salt River Base and Meridian, Arizona. This claim encompasses
portions of the following legal subdivision(s) if located by legal subdivision or the following quarter section (s),
section (s), Township (s) and Range (s) S 1/2 of the NE 1/4 of the SE 1/4 of Section 34,
Twn 14N, Range 15W, Mohave County, Gila Salt River Base and Meridian, Arizona.

The locality of this claim with reference to some natural object or permanent monument and additional
information (if any) concerning its locality are as follows: 1320' North & 1320' West
of NW corner of Bevo I.

DATED AND POSTED on the ground this 8 day of June, 2011.

LOCATOR (s) Jubal Caldwell
Jubal Caldwell
230 CHEYENNE

Form MCF102
Revised July 2005

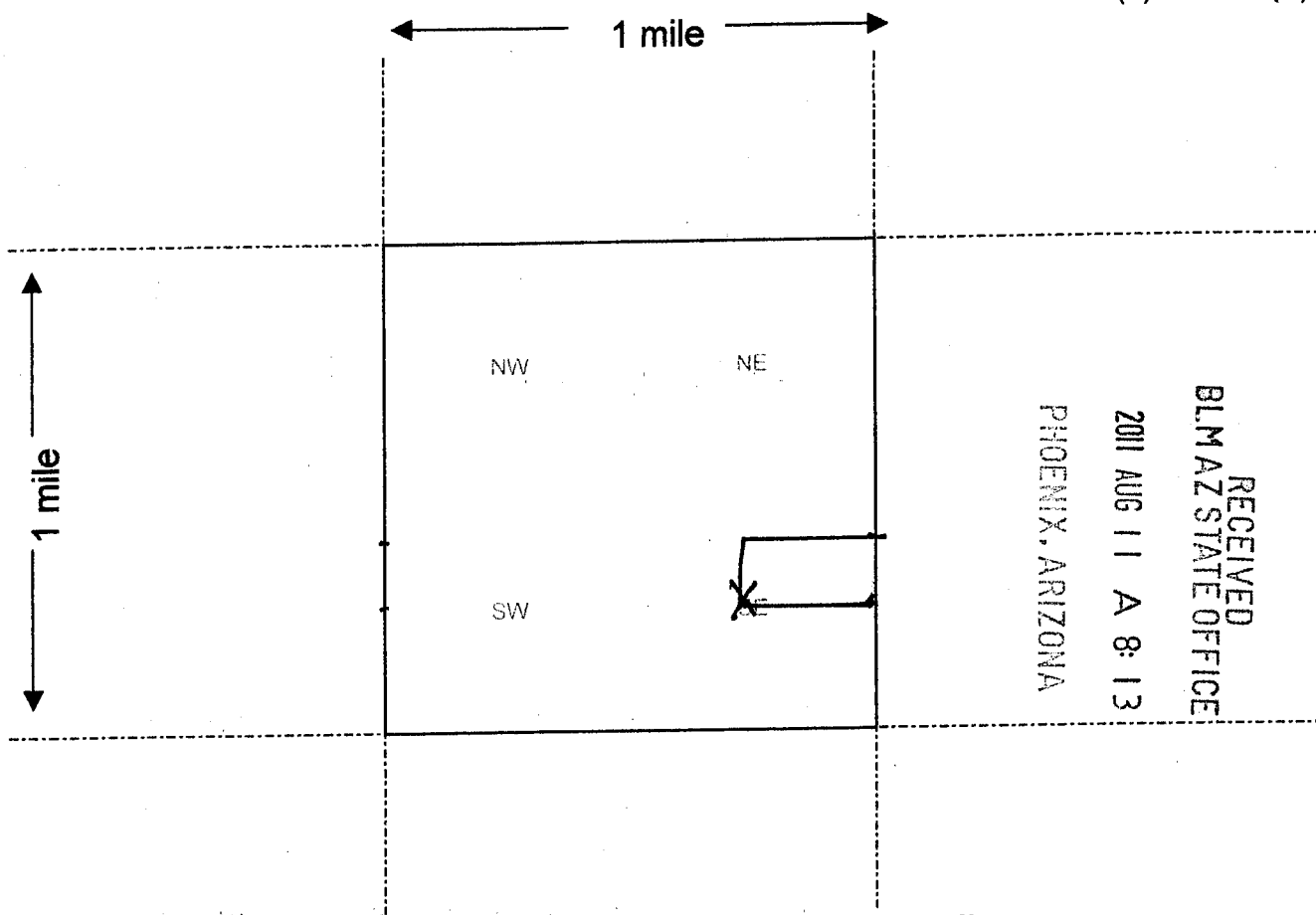
This form is available from the Arizona Department of Mines & Mineral Resources and may be reproduced.

Stephenville, TX 76401

AMC409996

MINING CLAIM MAP

Lode () Placer (X)



RECEIVED
BLM AZ STATE OFFICE
2011 AUG 11 A 8:13
PHOENIX, ARIZONA

Scale : 1" = 2000 feet



1. The above map depicts the UMED.5 mining claim, which is located in Section (s) 34, Township 14 N, Range 15 W, Gila and Salt River Base and Meridian, Mohave County, Arizona.

2. The type of corner and location monuments used are as follows: 5' wooden stake.

3. The bearings and distances in degrees and feet between claim corners are as depicted on the map.

Form MCF100a
Revised July 2005

This form is available from the Arizona Department of Mines & Mineral Resources and may be reproduced.



FEE# 2011031169

OFFICIAL RECORDS
OF MOHAVE COUNTY
CAROL MEIER,
COUNTY RECORDER



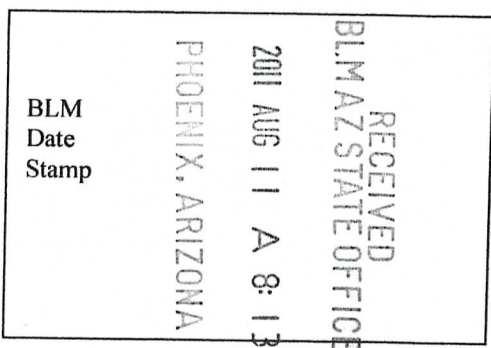
06/13/2011 09:27 AM Fee: \$14.00

PAGE: 1 of 2

LOCATION NOTICE FOR PLACER MINING CLAIM

NOTICE IS HEREBY GIVEN that the UMED. 6
_____ placer mining claim has been located by
UMED Holdings, Inc. whose current mailing
address is 119 Woodstream Ct.
CRESSON, TX 76035

Ret:



The general course of this claim is SE 1/4 of SEC. 34 and it is situated in
Mohave County, Arizona.

This claim is 660 feet in length and 1320 feet in width. This claim runs from the
location monument on which this location notice is posted approximately 660 feet in a North
direction to the North end line and 1320 feet in a East direction to the East end line.
This claim is marked by four monuments, one at each corner of the claim.

The location monument on which this notice is posted is situated within Section 34, Township
14 N, Range 15 W, Gila Salt River Base and Meridian, Arizona. This claim encompasses
portions of the following legal subdivision(s) if located by legal subdivision or the following quarter section (s),
section (s), Township (s) and Range (s) S 1/2 of the NW 1/4 of the SE 1/4 of Section 34,
Twp 14N, Range 15W, Mohave County, Gila Salt River Base and Meridian, Arizona.

The locality of this claim with reference to some natural object or permanent monument and additional
information (if any) concerning its locality are as follows: 1320' North & 2640' West
of NW corner of Bevo I.

DATED AND POSTED on the ground this 8 day of June, 2011.

LOCATOR (s) Jubal Caldwell
Jubal Caldwell
230 Cheyenne

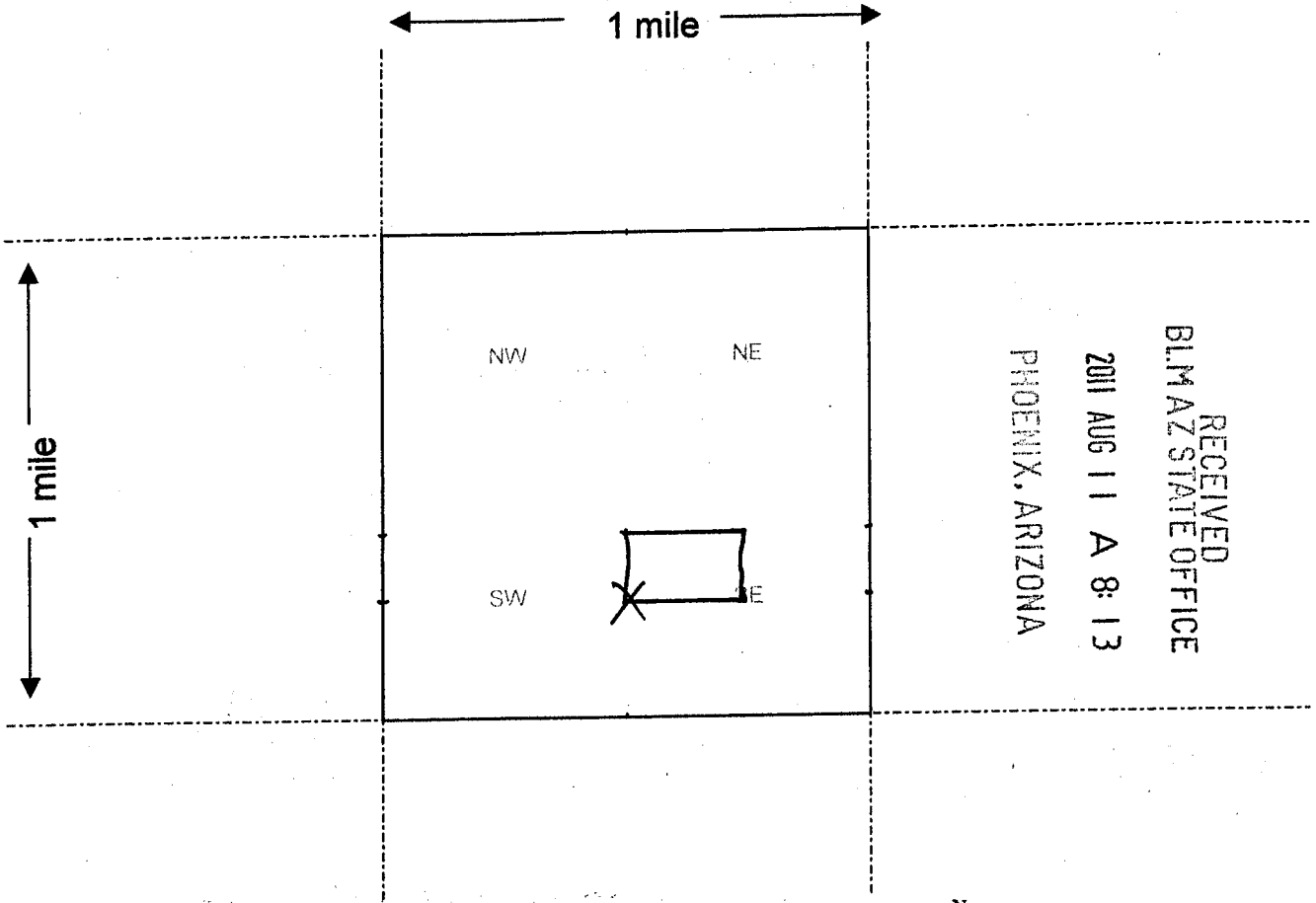
Form MCF102
Revised July 2005

This form is available from the Arizona Department of Mines & Mineral Resources and may be reproduced.
Stephenville, TX 76401

AMC409997

MINING CLAIM MAP

Lode () Placer (X)



RECEIVED
BLM AZ STATE OFFICE
2011 AUG 11 A 8:13
PHOENIX, ARIZONA

Scale : 1" = 2000 feet



1. The above map depicts the UMED . 4 mining claim, which is located in Section (s) 34, Township 14 N, Range 15 W, Gila and Salt River Base and Meridian, Mohave County, Arizona.
2. The type of corner and location monuments used are as follows: 5' wooden stake.
3. The bearings and distances in degrees and feet between claim corners are as depicted on the map.

Form MCF100a
Revised July 2005

This form is available from the Arizona Department of Mines & Mineral Resources and may be reproduced.

FEE# 2011031170

OFFICIAL RECORDS
OF MOHAVE COUNTY
CAROL MEIER,
COUNTY RECORDER



06/13/2011 09:27 AM Fee: \$14.00

PAGE: 1 of 2

LOCATION NOTICE FOR PLACER MINING CLAIM

NOTICE IS HEREBY GIVEN that the UMED.7
_____ placer mining claim has been located by
UMED Holdings, Inc. whose current mailing
address is 119 Woodstream Ct.
CRESSON, TX 76035

RECEIVED
BLM AZ STATE OFFICE
2011 AUG 11 A 8:11
PHOENIX, ARIZONA
BLM
Date
Stamp

The general course of this claim is SW 1/4 of Sec. 34 and it is situated in
Mohave County, Arizona.

This claim is 660 feet in length and 1320 feet in width. This claim runs from the
location monument on which this location notice is posted approximately 660 feet in a North
direction to the North end line and 1320 feet in a EAST direction to the EAST end line.

This claim is marked by four monuments, one at each corner of the claim.

The location monument on which this notice is posted is situated within Section 34, Township
14 N, Range 15 W, Gila Salt River Base and Meridian, Arizona. This claim encompasses
portions of the following legal subdivision(s) if located by legal subdivision or the following quarter section (s),
section (s), Township (s) and Range (s) 5 1/2 of the NE 1/4 of the SW 1/4 of Section 34,
Twn 14N, Range 15W, Mohave County, Gila Salt River Base and Meridian, Arizona.

The locality of this claim with reference to some natural object or permanent monument and additional
information (if any) concerning its locality are as follows: 1320' North of 3960' West
of NW corner of Bevo I.

DATED AND POSTED on the ground this 8 day of June, 2011.

LOCATOR (s) Jubal Caldwell
Jubal Caldwell
230 CHEYENNE

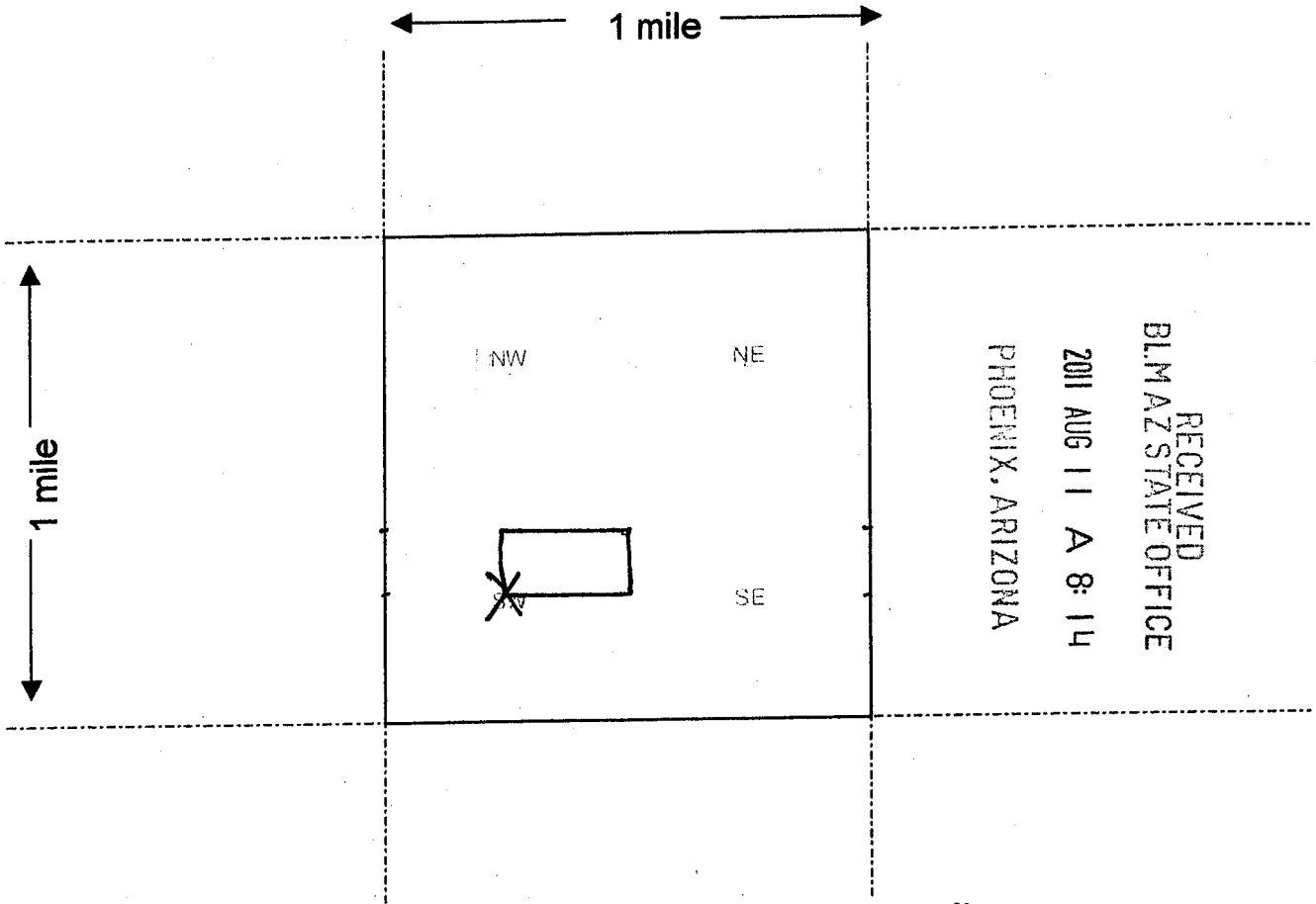
Form MCF102
Revised July 2005

This form is available from the Arizona Department of Mines & Mineral Resources and may be reproduced.
Stephenville, TX 76401

ANCL09998

MINING CLAIM MAP

Lode () Placer (X)



RECEIVED
BLM AZ STATE OFFICE
2011 AUG 11 A 8:14
PHOENIX, ARIZONA

Scale : 1" = 2000 feet



1. The above map depicts the UMED. 7 mining claim, which is located in Section (s) 34, Township 14 N, Range 15 W, Gila and Salt River Base and Meridian, Mohave County, Arizona.
2. The type of corner and location monuments used are as follows: 5' wooden stake.
3. The bearings and distances in degrees and feet between claim corners are as depicted on the map.

Form MCF100a
Revised July 2005

2



FEE# 2011031171

OFFICIAL RECORDS OF MOHAVE COUNTY CAROL MEIER, COUNTY RECORDER



06/13/2011 09:27 AM Fee: \$14.00

PAGE: 1 of 2

LOCATION NOTICE FOR PLACER MINING CLAIM

NOTICE IS HEREBY GIVEN that the UMED.8 placer mining claim has been located by UMED Holdings, Inc. whose current mailing address is 119 Woodstream Ct. CRESSON, TX 76035

Red.

RECEIVED BLM AZ STATE OFFICE 2011 AUG 11 A 8:11 PHOENIX, ARIZONA BLM Date Stamp

The general course of this claim is SW 1/4 of SEC. 34 and it is situated in Mohave County, Arizona.

This claim is 660 feet in length and 1320 feet in width. This claim runs from the location monument on which this location notice is posted approximately 660 feet in a North direction to the North end line and 1320 feet in a East direction to the East end line.

This claim is marked by four monuments, one at each corner of the claim.

The location monument on which this notice is posted is situated within Section 34, Township 14 N, Range 15 W, Gila Salt River Base and Meridian, Arizona. This claim encompasses portions of the following legal subdivision(s) if located by legal subdivision or the following quarter section (s), section (s), Township (s) and Range (s) S 1/2 of the NW 1/4 of the SW 1/4 of Section 34, Twp 14 N, Range 15 W, Mohave County, Gila Salt River Base and Meridian, Arizona.

AMC 409999

The locality of this claim with reference to some natural object or permanent monument and additional information (if any) concerning its locality are as follows: 1320' North & 5280' West of NW corner of Bevo I.

DATED AND POSTED on the ground this 8 day of June, 2011.

LOCATOR (s) Jubal Caldwell
Jubal Caldwell
230 CHEYENNE

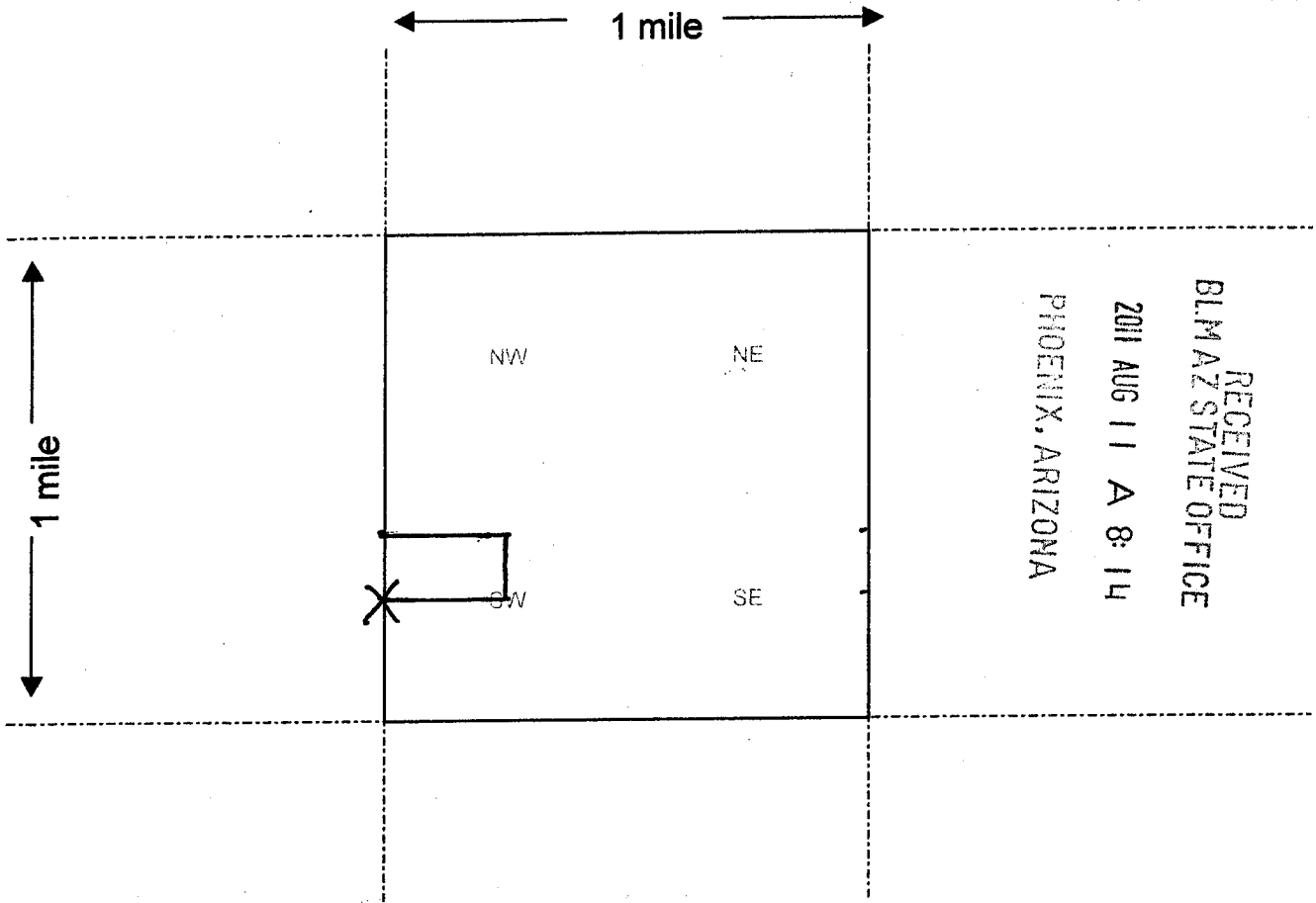
Form MCF102 Revised July 2005

This form is available from the Arizona Department of Mines & Mineral Resources and may be reproduced.

Stephenville, TX 76401

MINING CLAIM MAP

Lode () Placer (X)



RECEIVED
BLM AZ STATE OFFICE
2011 AUG 11 A 8:14
PHOENIX, ARIZONA

Scale : 1" = 2000 feet



1. The above map depicts the UMED. 8 mining claim, which is located in Section (s) 34, Township 14 N, Range 15 W, Gila and Salt River Base and Meridian, Mohave County, Arizona.
2. The type of corner and location monuments used are as follows: 5' wooden stake.
3. The bearings and distances in degrees and feet between claim corners are as depicted on the map.

Form MCF100a
Revised July 2005

This form is available from the Arizona Department of Mines & Mineral Resources and may be reproduced.

2



FEE# 2011031172

OFFICIAL RECORDS OF MOHAVE COUNTY CAROL MEIER, COUNTY RECORDER



06/13/2011 09:27 AM Fee: \$14.00

PAGE: 1 of 2

LOCATION NOTICE FOR PLACER MINING CLAIM

NOTICE IS HEREBY GIVEN that the UMED.9 placer mining claim has been located by UMED Holdings, Inc. whose current mailing address is 119 Woodstream Ct. CRESSON, TX 76035

Ret.

RECEIVED	2011 AUG 11 A 8:14	PHOENIX, ARIZONA
BLM AZ STATE OFFICE		
BLM Date Stamp		

The general course of this claim is SE 1/4 of Sec. 34 and it is situated in Mohave County, Arizona.

This claim is 660 feet in length and 1320 feet in width. This claim runs from the location monument on which this location notice is posted approximately 660 feet in a North direction to the North end line and 1320 feet in a East direction to the East end line. This claim is marked by four monuments, one at each corner of the claim.

The location monument on which this notice is posted is situated within Section 34, Township 14 N, Range 15 W, Gila Salt River Base and Meridian, Arizona. This claim encompasses portions of the following legal subdivision(s) if located by legal subdivision or the following quarter section (s), section (s), Township (s) and Range (s) N 1/2 of the SE 1/4 of the SE 1/4 of Section 34, Twp 14 N, Range 15 W, Mohave County, Gila Salt River Base and Meridian, Arizona.

The locality of this claim with reference to some natural object or permanent monument and additional information (if any) concerning its locality are as follows: 660' North & 1320' West of NW corner of BEVO I.

AMC410000

DATED AND POSTED on the ground this 8 day of June, 20 11.

LOCATOR (s) Jubal Caldwell
Jubal Caldwell
230 CHEYENNE

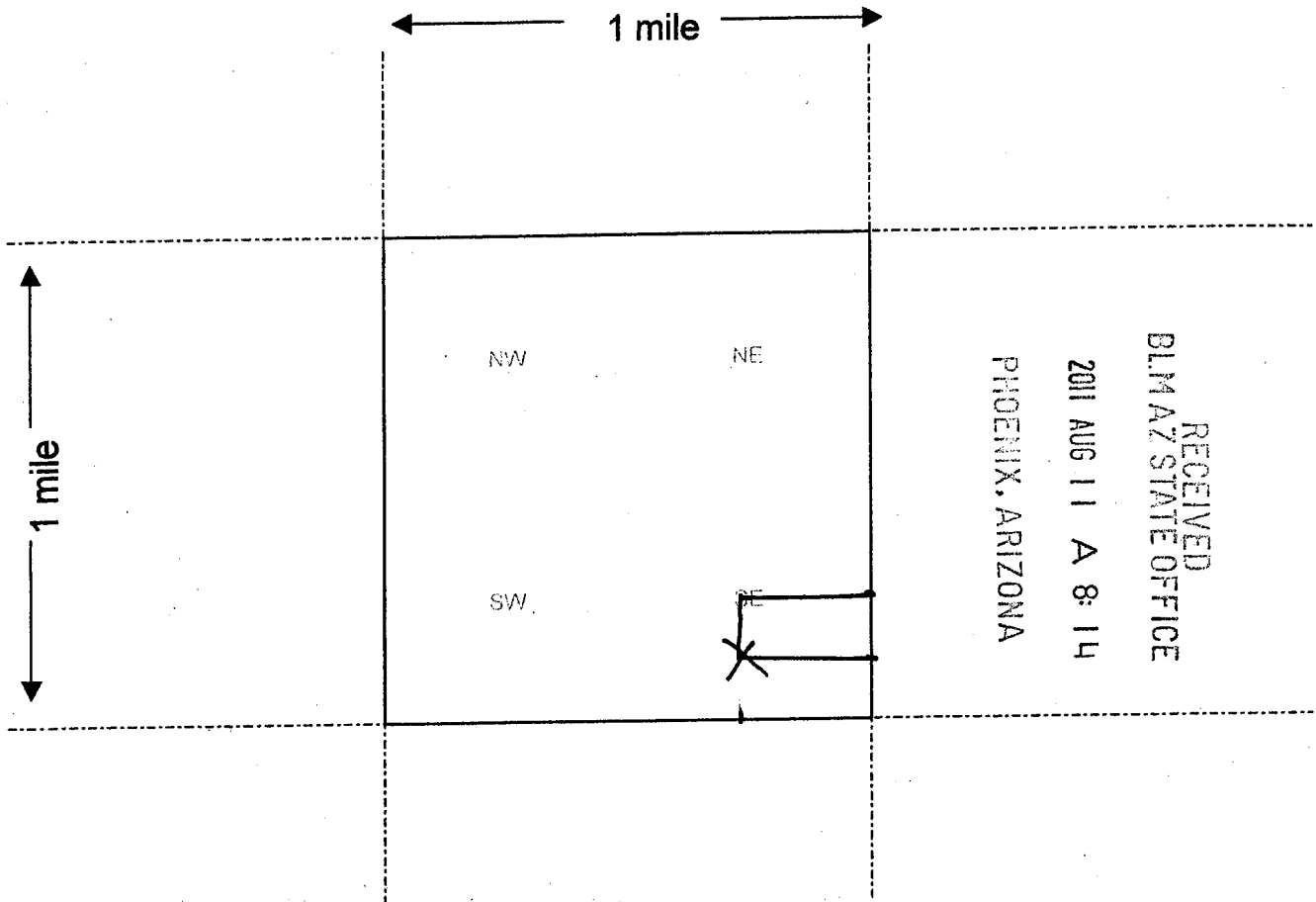
Form MCF102 Revised July 2005

This form is available from the Arizona Department of Mines & Mineral Resources and may be reproduced.

Stephenville, TX 76401

MINING CLAIM MAP

Lode () Placer (X)



RECEIVED
BLM AZ STATE OFFICE
2011 AUG 11 A 8:14
PHOENIX, ARIZONA

Scale : 1" = 2000 feet



1. The above map depicts the UMED.9 mining claim, which is located in Section (s) 34, Township 14 N, Range 15 W, Gila and Salt River Base and Meridian, Mohave County, Arizona.
2. The type of corner and location monuments used are as follows: 5' wooden stake
3. The bearings and distances in degrees and feet between claim corners are as depicted on the map.

Form MCF100a
Revised July 2005

This form is available from the Arizona Department of Mines & Mineral Resources and may be reproduced.

8

FEE# 2011031173

OFFICIAL RECORDS OF MOHAVE COUNTY CAROL MEIER, COUNTY RECORDER



06/13/2011 09:27 AM Fee: \$14.00

PAGE: 1 of 2

LOCATION NOTICE FOR PLACER MINING CLAIM

NOTICE IS HEREBY GIVEN that the UMED. 10 placer mining claim has been located by UMED Holdings, Inc. whose current mailing address is 119 Woodstream Ct. CRESSON, TX 76035

Bel:

RECEIVED BLM AZ STATE OFFICE 2011 AUG 11 A 8:14 PHOENIX, ARIZONA BLM Date Stamp

The general course of this claim is SE 1/4 of Sec. 34 and it is situated in Mohave County, Arizona.

This claim is 660 feet in length and 1320 feet in width. This claim runs from the location monument on which this location notice is posted approximately 660 feet in a North direction to the North end line and 1320 feet in a East direction to the East end line.

This claim is marked by four monuments, one at each corner of the claim.

The location monument on which this notice is posted is situated within Section 34, Township 14 N, Range 15 W, Gila Salt River Base and Meridian, Arizona. This claim encompasses portions of the following legal subdivision(s) if located by legal subdivision or the following quarter section (s), section (s), Township (s) and Range (s) N 1/2 of the SW 1/4 of the SE 1/4 of Section 34, Twp 14 N, Range 15 W, Mohave County, Gila Salt River Base and Meridian, Arizona.

The locality of this claim with reference to some natural object or permanent monument and additional information (if any) concerning its locality are as follows: 660' North & 2640' West of NW corner of Bevo I.

DATED AND POSTED on the ground this 8 day of June, 20 11.

LOCATOR (s) Jubal Caldwell
Jubal Caldwell
230 Cheyenne

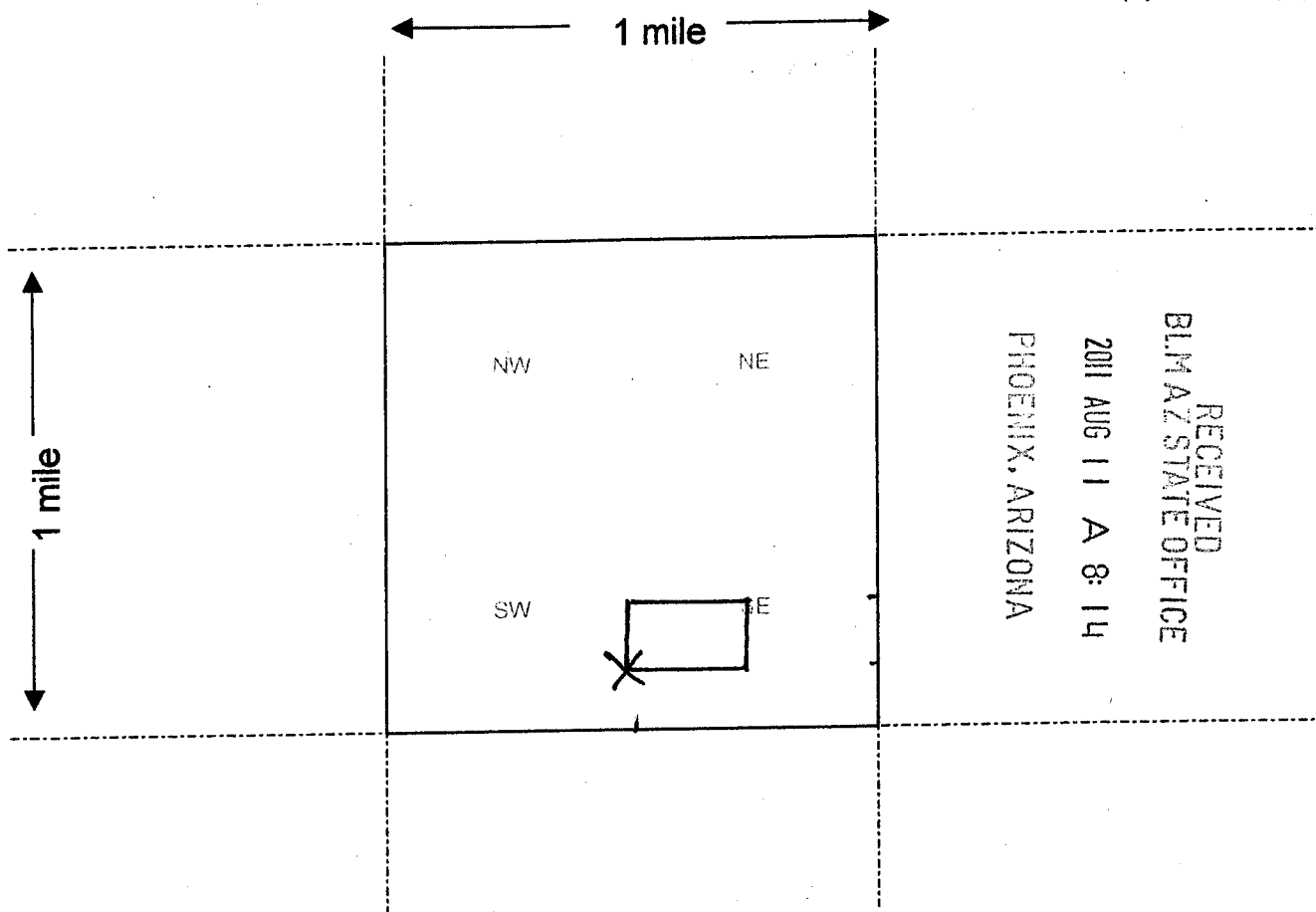
Form MCF102 Revised July 2005

This form is available from the Arizona Department of Mines & Mineral Resources and may be reproduced. Stephenville, TX 76401

AMC410001

MINING CLAIM MAP

Lode () Placer (X)



Scale : 1" = 2000 feet



1. The above map depicts the UMED. 10 mining claim, which is located in Section (s) 34, Township 14 N, Range 15 W, Gila and Salt River Base and Meridian, Mohave County, Arizona.

2. The type of corner and location monuments used are as follows: 5' wooden stake.

3. The bearings and distances in degrees and feet between claim corners are as depicted on the map.

Form MCF100a
Revised July 2005

This form is available from the Arizona Department of Mines & Mineral Resources and may be reproduced.



FEE# 2011031174

OFFICIAL RECORDS
OF MOHAVE COUNTY
CAROL MEIER,
COUNTY RECORDER



06/13/2011 09:27 AM Fee: \$14.00

PAGE: 1 of 2

LOCATION NOTICE FOR PLACER MINING CLAIM

NOTICE IS HEREBY GIVEN that the UMED, 11
_____ placer mining claim has been located by
UMED Holdings, Inc. whose current mailing
address is 119 Woodstream Ct.
CRESSON, TX 76035

Ret:

RECEIVED
BLM AZ STATE OFFICE
2011 AUG 11 A 8:14
PHOENIX, ARIZONA
BLM
Date
Stamp

The general course of this claim is SW 1/4 of Sec. 34 and it is situated in
Mohave County, Arizona.

This claim is 660 feet in length and 1320 feet in width. This claim runs from the
location monument on which this location notice is posted approximately 660 feet in a North
direction to the North end line and 1320 feet in a East direction to the East end line.
This claim is marked by four monuments, one at each corner of the claim.

The location monument on which this notice is posted is situated within Section 34, Township
14 N, Range 15 W, Gila Salt River Base and Meridian, Arizona. This claim encompasses
portions of the following legal subdivision(s) if located by legal subdivision or the following quarter section (s),
section (s), Township (s) and Range (s) N 1/2 of the SE 1/4 of the SW 1/4 of Section 34
Town 14 N, Range 15 W, Mohave County, Gila Salt River Base and Meridian, Arizona.

ANC 410002

The locality of this claim with reference to some natural object or permanent monument and additional
information (if any) concerning its locality are as follows: 660' North of 3960' West
of NW corner of Bevo I.

DATED AND POSTED on the ground this 8 day of June, 2011.

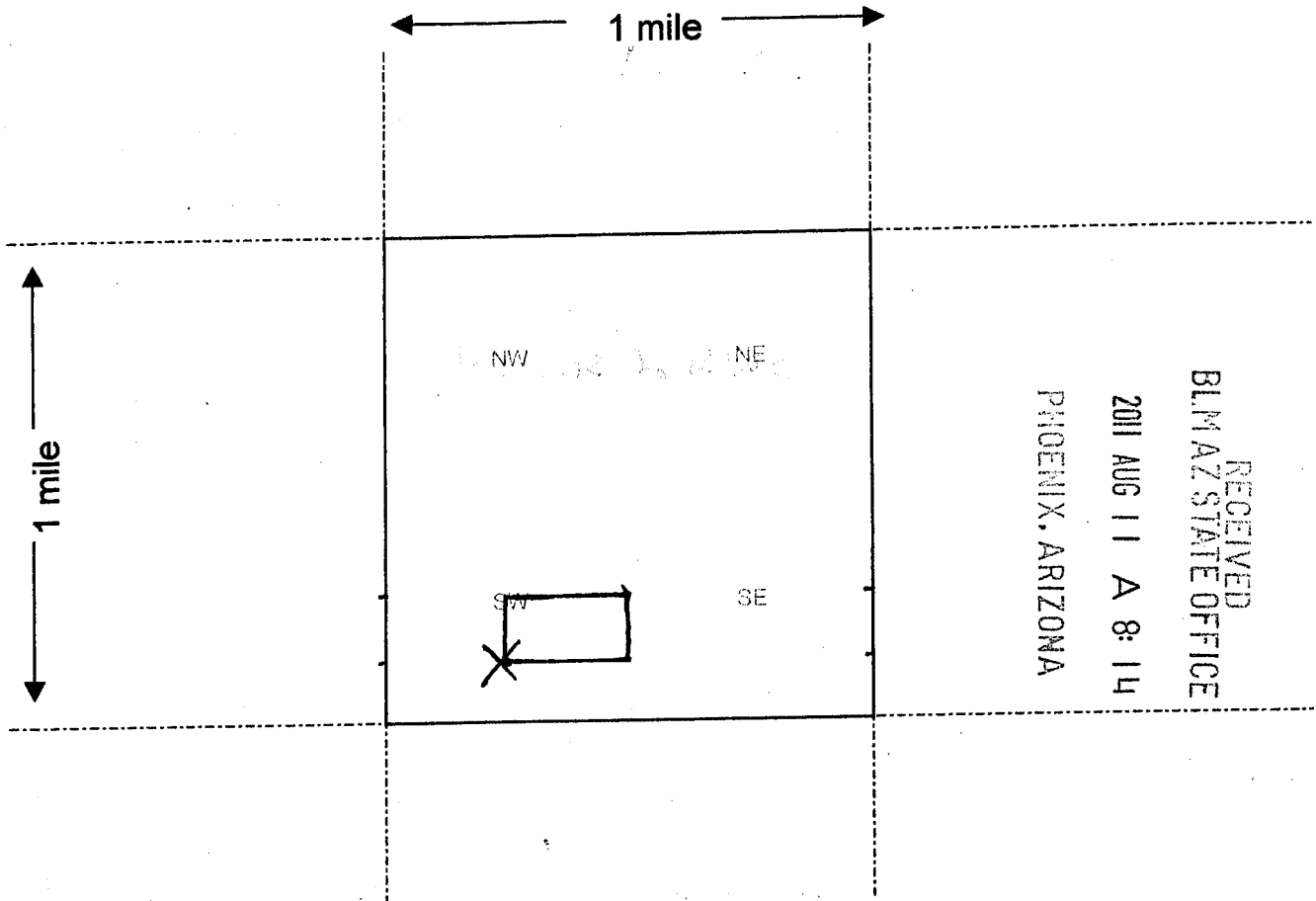
LOCATOR (s) Jubal Caldwell
Jubal Caldwell
230 Cheyenne

Form MCF102
Revised July 2005

This form is available from the Arizona Department of Mines & Mineral Resources and may be reproduced.
Stephanville, TX 76401

MINING CLAIM MAP

Lode () Placer (X)



RECEIVED
 BLM AZ STATE OFFICE
 2011 AUG 11 A 8:14
 PHOENIX, ARIZONA

Scale : 1" = 2000 feet



1. The above map depicts the UMED. 11 mining claim, which is located in Section (s) 34, Township 14 N, Range 15 W, Gila and Salt River Base and Meridian, Mohave County, Arizona.

2. The type of corner and location monuments used are as follows: 5' wooden stake.

3. The bearings and distances in degrees and feet between claim corners are as depicted on the map.

Form MCF100a
 Revised July 2005

FEE# 2011031175

OFFICIAL RECORDS
OF MOHAVE COUNTY
CAROL MEIER,
COUNTY RECORDER



06/13/2011 09:27 AM Fee: \$14.00

PAGE: 1 of 2

LOCATION NOTICE FOR PLACER MINING CLAIM

NOTICE IS HEREBY GIVEN that the UMED, 12
_____ placer mining claim has been located by
UMED Holdings, Inc. whose current mailing
address is 119 Woodstream Ct.
CRESSON, TX 76035

Ret.

RECEIVED
BLM AZ STATE OFFICE
2011 AUG 11 A 8:14
PHOENIX, ARIZONA
BLM
Date
Stamp

The general course of this claim is SW 1/4 of Sec. 34 and it is situated in
Mohave County, Arizona.

This claim is 660 feet in length and 1320 feet in width. This claim runs from the
location monument on which this location notice is posted approximately 660 feet in a North
direction to the North end line and 1320 feet in a East direction to the East end line.

This claim is marked by four monuments, one at each corner of the claim.

The location monument on which this notice is posted is situated within Section 34, Township
14 N, Range 15 W, Gila Salt River Base and Meridian, Arizona. This claim encompasses
portions of the following legal subdivision(s) if located by legal subdivision or the following quarter section (s),
section (s), Township (s) and Range (s) N 1/2 of the SW 1/4 of the SW 1/4 of Section 34,
Twp 14N, Range 15W, Mohave County, Gila Salt River Base and Meridian, Arizona.

The locality of this claim with reference to some natural object or permanent monument and additional
information (if any) concerning its locality are as follows: 660' North & 5280' West
of the NW corner of Bevo I.

ANC410003

DATED AND POSTED on the ground this 8 day of June, 2011.

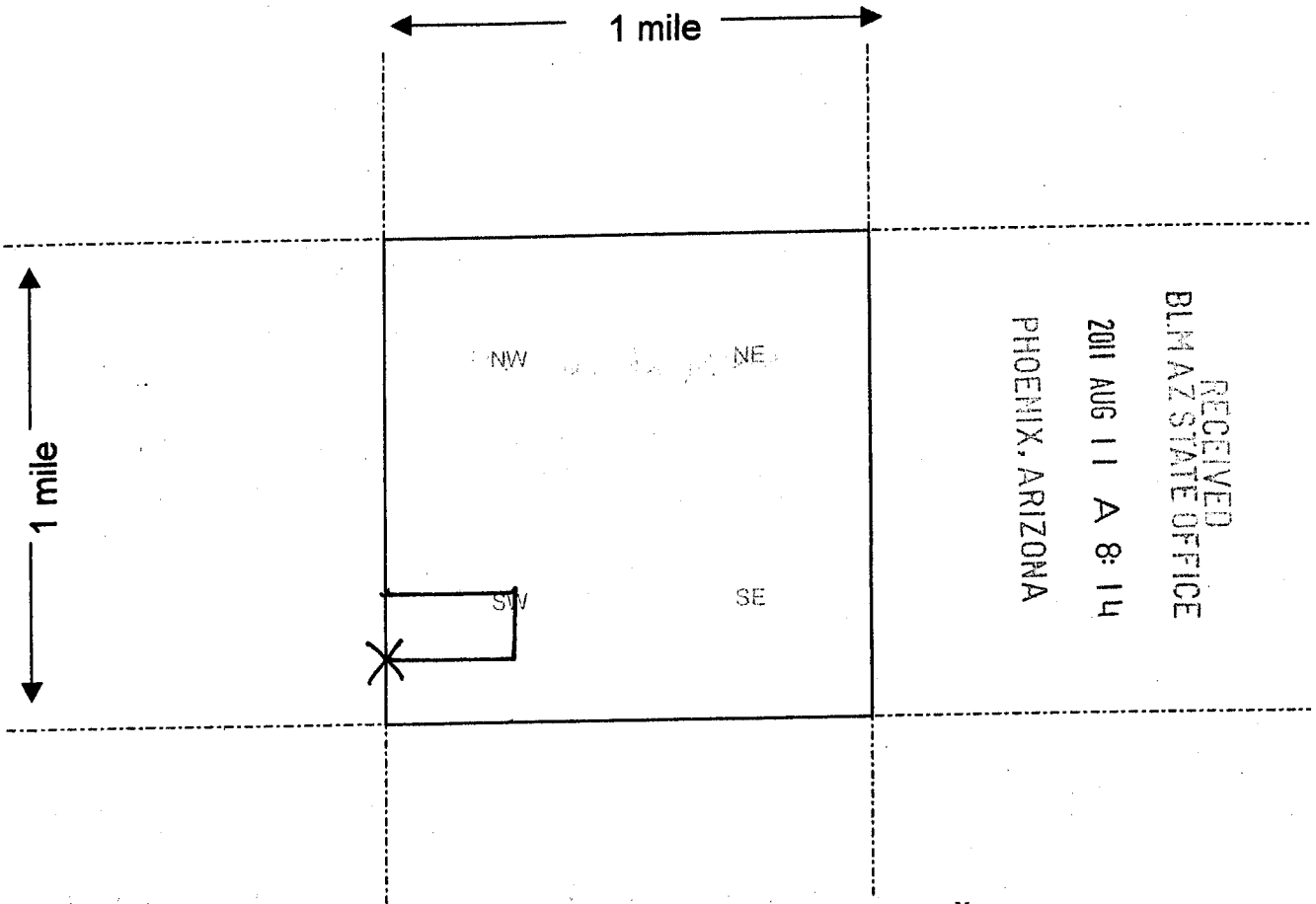
LOCATOR (s) Jubal Caldwell
Jubal Caldwell
230 CHEYENNE

Form MCF102
Revised July 2005

This form is available from the Arizona Department of Mines & Mineral Resources and may be reproduced.
Stephanville, TX 76401

MINING CLAIM MAP

Lode () Placer (X)



RECEIVED
BLM AZ STATE OFFICE
2011 AUG 11 A 8:14
PHOENIX, ARIZONA

Scale : 1" = 2000 feet



1. The above map depicts the UMED. 12 mining claim, which is located in Section (s) 34, Township 14 N, Range 15 W, Gila and Salt River Base and Meridian, Mohave County, Arizona.
2. The type of corner and location monuments used are as follows: 5' wooden stake.
3. The bearings and distances in degrees and feet between claim corners are as depicted on the map.

Form MCF100a
Revised July 2005

This form is available from the Arizona Department of Mines & Mineral Resources and may be reproduced.

2



FEE# 2011031176

OFFICIAL RECORDS OF MOHAVE COUNTY CAROL MEIER, COUNTY RECORDER



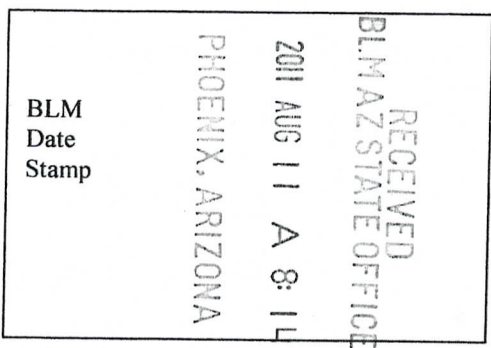
06/13/2011 09:27 AM Fee: \$14.00

PAGE: 1 of 2

LOCATION NOTICE FOR PLACER MINING CLAIM

NOTICE IS HEREBY GIVEN that the UMED. 13 placer mining claim has been located by UMED Holdings, Inc. whose current mailing address is 119 Woodstream Ct. CRESSON, TX 76035

Ret.



The general course of this claim is SE 1/4 of SEC. 34 and it is situated in Mohave County, Arizona.

This claim is 660 feet in length and 1320 feet in width. This claim runs from the location monument on which this location notice is posted approximately 660 feet in a North direction to the North end line and 1320 feet in a East direction to the East end line. This claim is marked by four monuments, one at each corner of the claim.

AMC410004

The location monument on which this notice is posted is situated within Section 34, Township 14 N, Range 15 W, Gila Salt River Base and Meridian, Arizona. This claim encompasses portions of the following legal subdivision(s) if located by legal subdivision or the following quarter section (s), section (s), Township (s) and Range (s) S 1/2 of the SE 1/4 of the SE 1/4 of SECTION 34, Twn 14N, Range 15 W, Mohave County, Gila Salt River Base and Meridian, Arizona.

The locality of this claim with reference to some natural object or permanent monument and additional information (if any) concerning its locality are as follows: 0' North & 1320' West of NW corner of Bevo I.

DATED AND POSTED on the ground this 8 day of June, 2011.

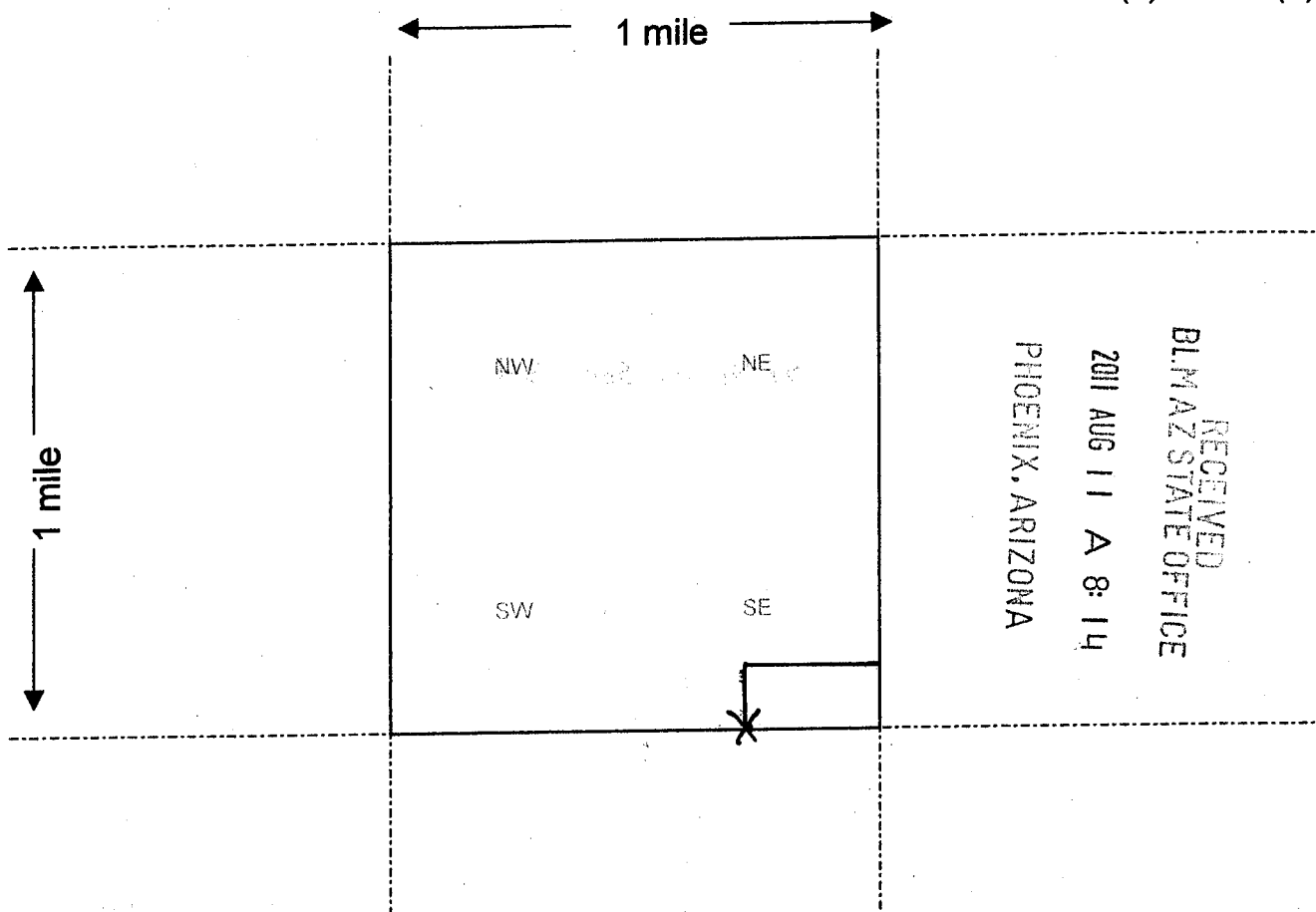
LOCATOR (s) Jubal Caldwell
Jubal Caldwell
230 CHEYENNE

Form MCF102 Revised July 2005

This form is available from the Arizona Department of Mines & Mineral Resources and may be reproduced. Stephenville, TX 76401

MINING CLAIM MAP

Lode () Placer (X)



Scale : 1" = 2000 feet



1. The above map depicts the UMED. 13 mining claim, which is located in Section (s) 34, Township 14 N, Range 15 W, Gila and Salt River Base and Meridian, Mohave County, Arizona.

2. The type of corner and location monuments used are as follows: 5' wooden stake.

3. The bearings and distances in degrees and feet between claim corners are as depicted on the map.

Form MCF100a
Revised July 2005

This form is available from the Arizona Department of Mines & Mineral Resources and may be reproduced.



FEE# 2011031177

OFFICIAL RECORDS
OF MOHAVE COUNTY
CAROL MEIER,
COUNTY RECORDER



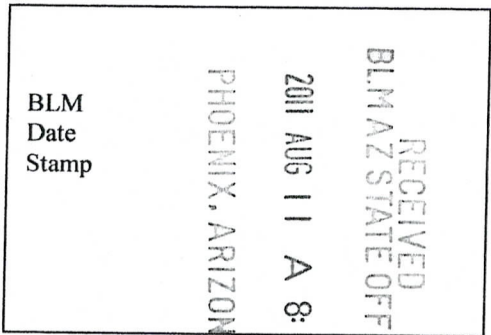
06/13/2011 09:27 AM Fee: \$14.00

PAGE: 1 of 2

LOCATION NOTICE FOR PLACER MINING CLAIM

NOTICE IS HEREBY GIVEN that the UMED. 14
_____ placer mining claim has been located by
UMED Holdings, Inc. whose current mailing
address is 119 Woodstream Ct.
CRESSON, TX 76035

Act:



The general course of this claim is SE 1/4 of SEC. 34 and it is situated in
Mohave County, Arizona.

This claim is 660 feet in length and 1320 feet in width. This claim runs from the
location monument on which this location notice is posted approximately 660 feet in a North
direction to the North end line and 1320 feet in a East direction to the East end line.

This claim is marked by four monuments, one at each corner of the claim.

The location monument on which this notice is posted is situated within Section 34, Township
14 N, Range 15 W, Gila Salt River Base and Meridian, Arizona. This claim encompasses
portions of the following legal subdivision(s) if located by legal subdivision or the following quarter section (s),
section (s), Township (s) and Range (s) S 1/2 of the SW 1/4 of the SE 1/4 of Section 34,
Town 14N, Range 15W, Mohave County, Gila Salt River Base and Meridian, Arizona.

The locality of this claim with reference to some natural object or permanent monument and additional
information (if any) concerning its locality are as follows: 0' North of 2640' West
of NW corner of BEVO I.

DATED AND POSTED on the ground this 8 day of June, 2011.

LOCATOR (s) Jubal Caldwell
Jubal Caldwell
230 CHEYENNE

Form MCF102
Revised July 2005

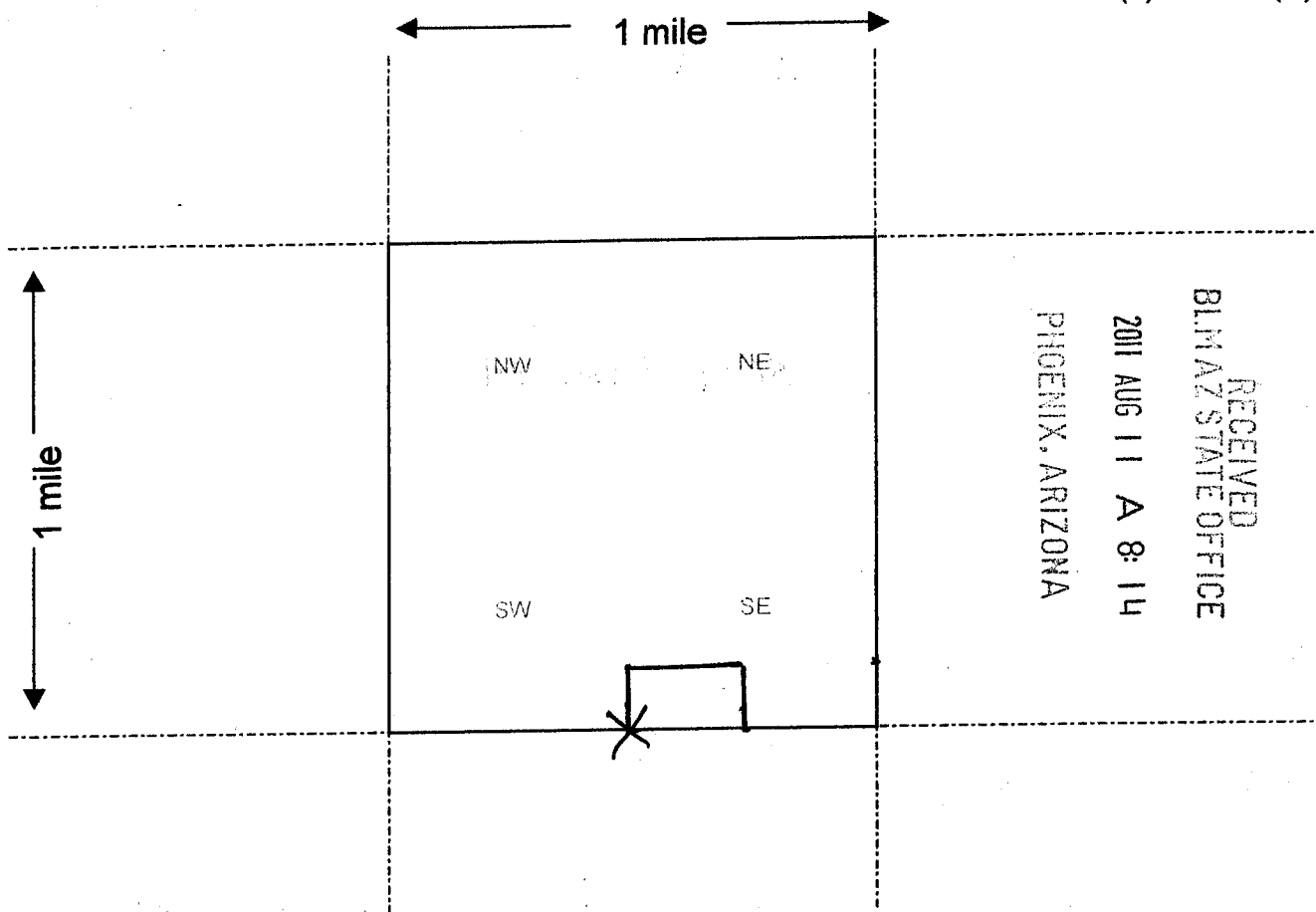
This form is available from the Arizona Department of Mines & Mineral Resources and may be reproduced.

Stephenville, TX 76401

AMC410005

MINING CLAIM MAP

Lode () Placer (X)



RECEIVED
BLM AZ STATE OFFICE
2011 AUG 11 A 8:14
PHOENIX, ARIZONA

Scale : 1" = 2000 feet



1. The above map depicts the UMED. 14 mining claim, which is located in Section (s) 34, Township 14 N, Range 15 W, Gila and Salt River Base and Meridian, Mohave County, Arizona.

2. The type of corner and location monuments used are as follows: 5' wooden stakes.

3. The bearings and distances in degrees and feet between claim corners are as depicted on the map.

Form MCF100a
Revised July 2005



FEE# 2011031178

OFFICIAL RECORDS
OF MOHAVE COUNTY
CAROL MEIER,
COUNTY RECORDER



06/13/2011 09:27 AM Fee: \$14.00

PAGE: 1 of 2

LOCATION NOTICE FOR PLACER MINING CLAIM

NOTICE IS HEREBY GIVEN that the UMED. 15
_____ placer mining claim has been located by
UMED Holdings, Inc. whose current mailing
address is 119 Woodstream Ct.
CRESSON, TX 76035

Ret.

BLM Date Stamp	2011 AUG 11 A 8:14	RECEIVED
	PHOENIX, ARIZONA	BLM AZ STATE OFFICE

The general course of this claim is SW 1/4 of Sec. 34 and it is situated in
Mohave County, Arizona.

This claim is 660 feet in length and 1320 feet in width. This claim runs from the
location monument on which this location notice is posted approximately 660 feet in a North
direction to the North end line and 1320 feet in a East direction to the East end line.

This claim is marked by four monuments, one at each corner of the claim.

The location monument on which this notice is posted is situated within Section 34, Township
14 N, Range 15 W, Gila Salt River Base and Meridian, Arizona. This claim encompasses
portions of the following legal subdivision(s) if located by legal subdivision or the following quarter section (s),
section (s), Township (s) and Range (s) S 1/2 of the SE 1/4 of the SW 1/4 of section 34,
Town 14N, Range 15W, Mohave County, Gila Salt River Base and Meridian, Arizona.

The locality of this claim with reference to some natural object or permanent monument and additional
information (if any) concerning its locality are as follows: 0' North of 3960' West
of NW corner of Bevo I.

DATED AND POSTED on the ground this 8 day of June, 20 11.

LOCATOR (s) Jubal Caldwell
Jubal Caldwell
230 CHEYENNE

Form MCF102
Revised July 2005

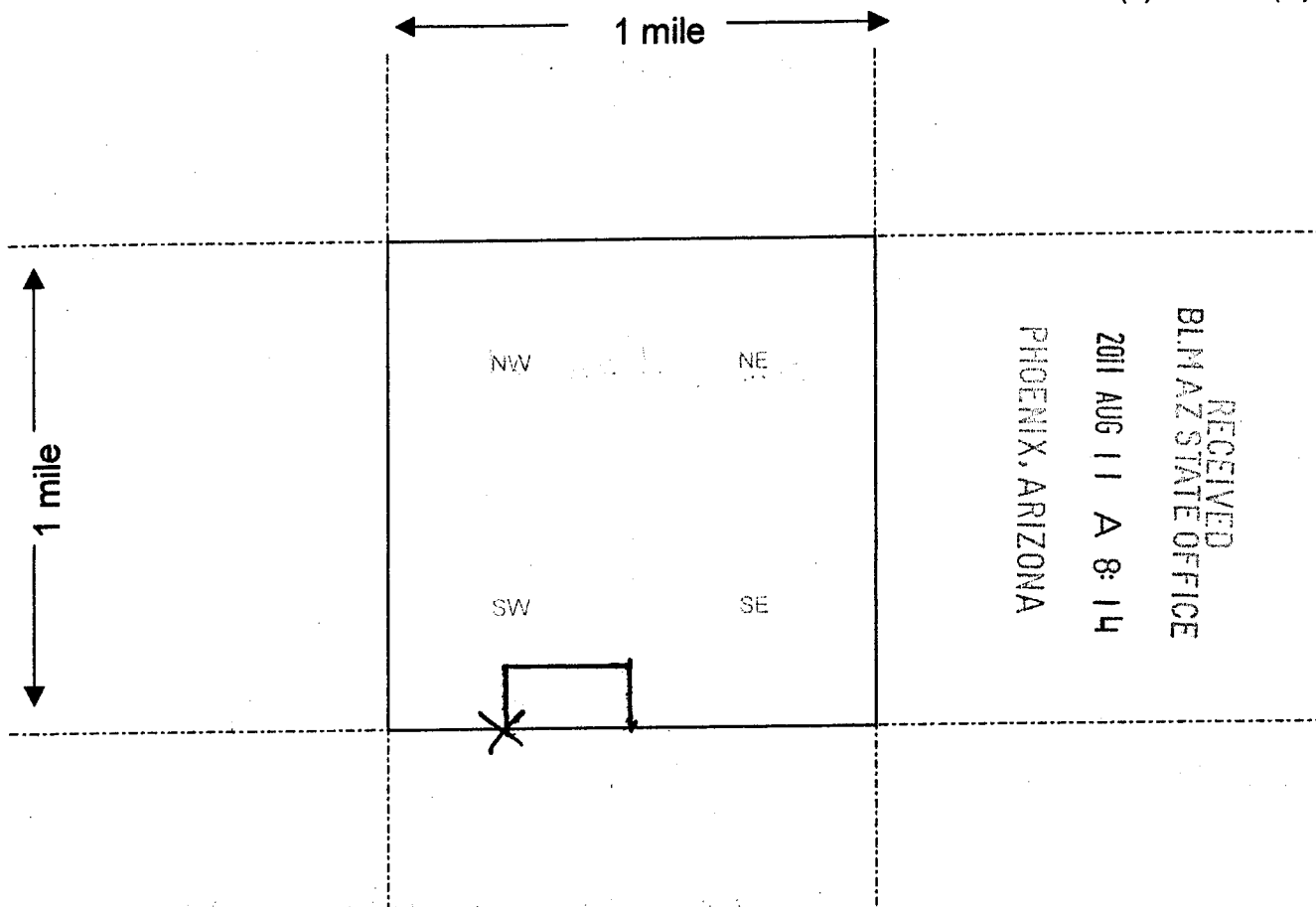
This form is available from the Arizona Department of Mines & Mineral Resources and may be reproduced.

Stephenville, TX 76401

AMC410006

MINING CLAIM MAP

Lode () Placer (X)



Scale : 1" = 2000 feet



1. The above map depicts the UMED. 15 mining claim, which is located in Section (s) 34, Township 14 N, Range 15 W, Gila and Salt River Base and Meridian, Mohave County, Arizona.

2. The type of corner and location monuments used are as follows: 5' wooden stake.

3. The bearings and distances in degrees and feet between claim corners are as depicted on the map.

Form MCF100a
Revised July 2005

2



FEE# 2011031179

OFFICIAL RECORDS OF MOHAVE COUNTY CAROL MEIER, COUNTY RECORDER



06/13/2011 09:27 AM Fee: \$14.00

PAGE: 1 of 2

LOCATION NOTICE FOR PLACER MINING CLAIM

NOTICE IS HEREBY GIVEN that the UMED, 16 placer mining claim has been located by UMED Holdings, Inc. whose current mailing address is 119 Woodstream Ct. CRESSON, TX 76035

Ret:

RECEIVED BLM AZ STATE OFFICE 2011 AUG 11 A 8:14 PHOENIX, ARIZONA BLM Date Stamp

The general course of this claim is SW 1/4 of Sec. 34 and it is situated in Mohave County, Arizona.

This claim is 660 feet in length and 1320 feet in width. This claim runs from the location monument on which this location notice is posted approximately 660 feet in a North direction to the North end line and 1320 feet in a East direction to the East end line.

This claim is marked by four monuments, one at each corner of the claim.

The location monument on which this notice is posted is situated within Section 34, Township 14 N, Range 15 W, Gila Salt River Base and Meridian, Arizona. This claim encompasses portions of the following legal subdivision(s) if located by legal subdivision or the following quarter section (s), section (s), Township (s) and Range (s) SW 1/4 of the SW 1/4 of Section 34, Twp 14 N, Range 15 W, Mohave County, Gila Salt River Base and Meridian, Arizona.

The locality of this claim with reference to some natural object or permanent monument and additional information (if any) concerning its locality are as follows: 0' North & 5280' west of the NW corner of BEO I.

DATED AND POSTED on the ground this 8 day of June, 20 11

LOCATOR (s) Jubal Caldwell
Jubal Caldwell
230 CHEYENNE

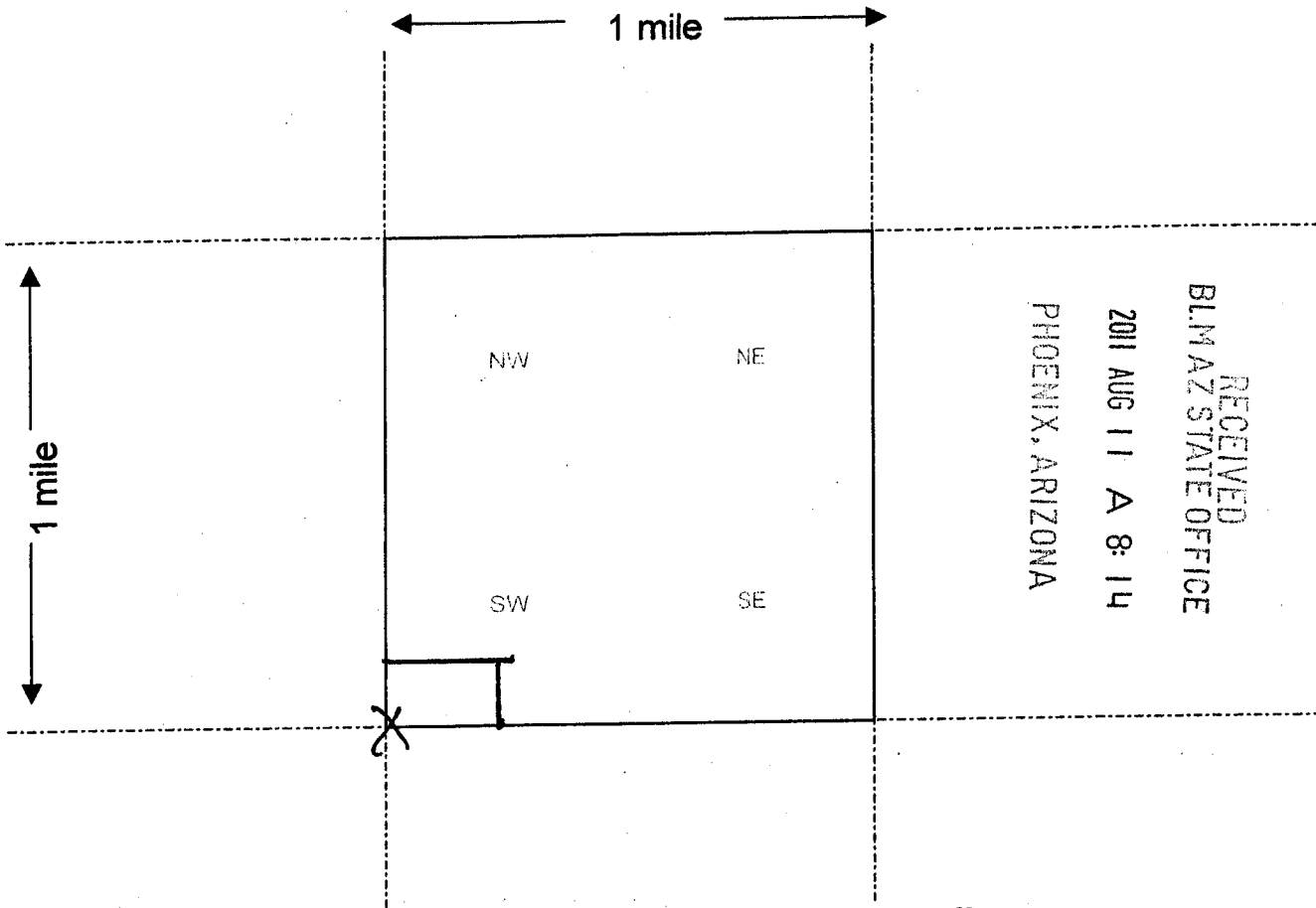
Form MCF102 Revised July 2005

This form is available from the Arizona Department of Mines & Mineral Resources and may be reproduced. Stephenville, TX 76401

AMC410007

MINING CLAIM MAP

Lode () Placer (X)



RECEIVED
BLM AZ STATE OFFICE
2011 AUG 11 A 8:14
PHOENIX, ARIZONA

Scale: 1" = 2000 feet

1. The above map depicts the UMED. 16 mining claim, which is located in Section (s) 34, Township 14 N, Range 15 W, Gila and Salt River Base and Meridian, Mohave County, Arizona.
2. The type of corner and location monuments used are as follows: 5' wooden stake
3. The bearings and distances in degrees and feet between claim corners are as depicted on the map.

Form MCF100a
Revised July 2005

2



FEE# 2011031180

OFFICIAL RECORDS
OF MOHAVE COUNTY
CAROL MEIER,
COUNTY RECORDER



06/13/2011 09:27 AM Fee: \$14.00

PAGE: 1 of 2

LOCATION NOTICE FOR PLACER MINING CLAIM

NOTICE IS HEREBY GIVEN that the Ph 4.8

_____ placer mining claim has been located by

UMED Holdings, Inc. whose current mailing

address is 119 Woodstream Ct.

CRESSON, TX 76035

Ret.

RECEIVED
BLM AZ STATE OFFICE
2011 AUG 11 A 8:15
PHOENIX, ARIZONA
BLM
Date
Stamp

The general course of this claim is NE 1/4 of SEC. 2 and it is situated in

Mohave County, Arizona.

This claim is 660 feet in length and 1320 feet in width. This claim runs from the location monument on which this location notice is posted approximately 660 feet in a North direction to the North end line and 1320 feet in a East direction to the East end line.

This claim is marked by four monuments, one at each corner of the claim.

The location monument on which this notice is posted is situated within Section 2, Township 13 N, Range 15 W, Gila Salt River Base and Meridian, Arizona. This claim encompasses portions of the following legal subdivision(s) if located by legal subdivision or the following quarter section (s), section (s), Township (s) and Range (s) N 1/2 of the NE 1/4 of the NE 1/4 of SECTION 2, Twp 13 N, Range 15 W, Mohave County, Gila Salt River Base and Meridian, Arizona.

The locality of this claim with reference to some natural object or permanent monument and additional information (if any) concerning its locality are as follows: 660' south & 3960' East of the NW corner of Bevo I.

DATED AND POSTED on the ground this 9 day of June, 2011.

LOCATOR (s) Jubal Caldwell

Jubal Caldwell
230 CHEYENNE

Form MCF102
Revised July 2005

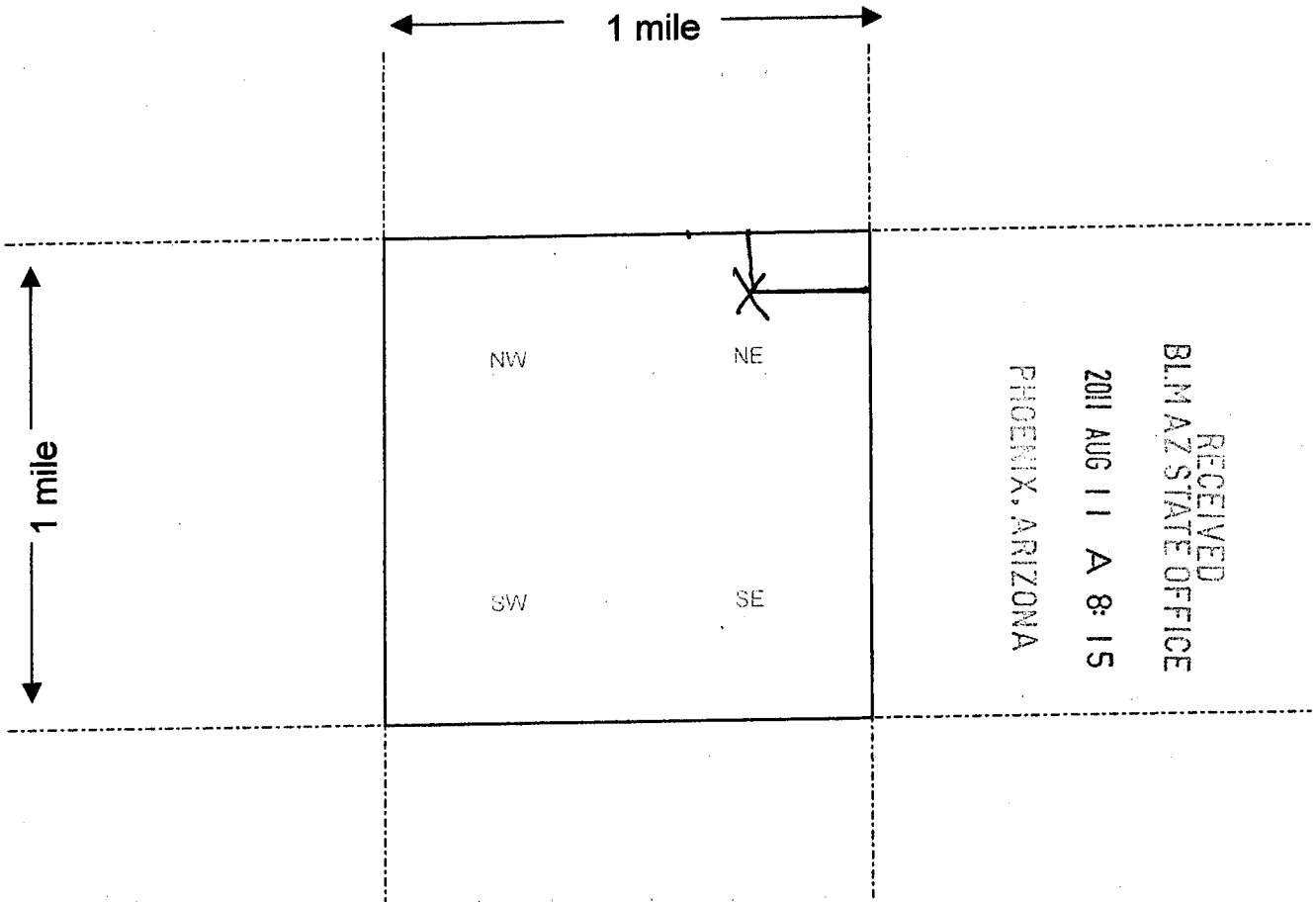
This form is available from the Arizona Department of Mines & Mineral Resources and may be reproduced.

Stephenville, TX 76401

AMC410008

MINING CLAIM MAP

Lode () Placer (X)



Scale : 1" = 2000 feet



1. The above map depicts the Ph 4.8 mining claim, which is located in Section (s) 2, Township 13 N, Range 15 W, Gila and Salt River Base and Meridian, Mohave County, Arizona.
2. The type of corner and location monuments used are as follows: 5' wooden stake.
3. The bearings and distances in degrees and feet between claim corners are as depicted on the map.

Form MCF100a
Revised July 2005

This form is available from the Arizona Department of Mines & Mineral Resources and may be reproduced.



FEE# 2011031181

OFFICIAL RECORDS OF MOHAVE COUNTY CAROL MEIER, COUNTY RECORDER



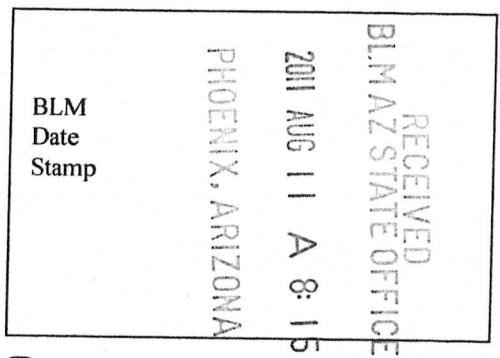
06/13/2011 09:27 AM Fee: \$14.00

PAGE: 1 of 2

LOCATION NOTICE FOR PLACER MINING CLAIM

NOTICE IS HEREBY GIVEN that the UMED. 18 placer mining claim has been located by UMED Holdings, Inc. whose current mailing address is 119 Woodstream Ct. CRESSON, TX 76035

Ret:



The general course of this claim is NE 1/4 of SEC. 2 and it is situated in Mohave County, Arizona.

This claim is 660 feet in length and 1320 feet in width. This claim runs from the location monument on which this location notice is posted approximately 660 feet in a North direction to the North end line and 1320 feet in a East direction to the East end line.

This claim is marked by four monuments, one at each corner of the claim.

The location monument on which this notice is posted is situated within Section 2, Township 13 N, Range 15 W, Gila Salt River Base and Meridian, Arizona. This claim encompasses portions of the following legal subdivision(s) if located by legal subdivision or the following quarter section (s), section (s), Township (s) and Range (s) N 1/2 of the NW 1/4 of the NE 1/4 of SECTION 2 Twp 13N, Range 15W, Mohave County, Gila Salt River Base and Meridian, Arizona.

The locality of this claim with reference to some natural object or permanent monument and additional information (if any) concerning its locality are as follows: 660' South of 2640' East of the NW corner of BEVO I.

DATED AND POSTED on the ground this 9 day of June, 2011.

LOCATOR (s) Jubal Caldwell
Jubal Caldwell
230 CHEYENNE

Form MCF102 Revised July 2005

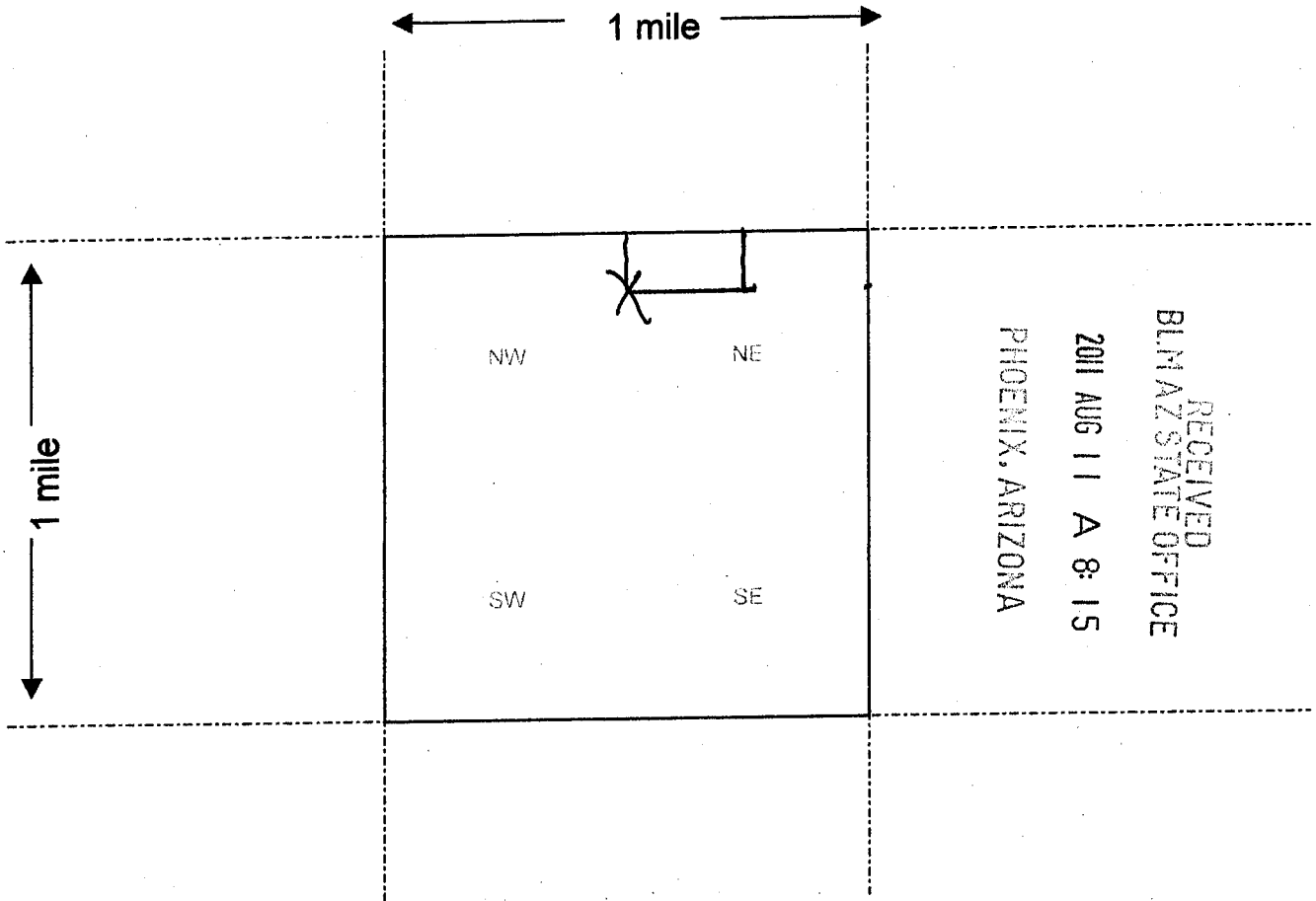
This form is available from the Arizona Department of Mines & Mineral Resources and may be reproduced.

Stephanville, TX 76401

AMC410009

MINING CLAIM MAP

Lode () Placer (X)



RECEIVED
BLM AZ STATE OFFICE
2011 AUG 11 A 8:15
PHOENIX, ARIZONA

Scale : 1" = 2000 feet



1. The above map depicts the UMED. 18 mining claim, which is located in Section (s) 2, Township 13 N, Range 15 W, Gila and Salt River Base and Meridian, Mohave County, Arizona.
2. The type of corner and location monuments used are as follows: 5' wooden stake.
3. The bearings and distances in degrees and feet between claim corners are as depicted on the map.

Form MCF100a
Revised July 2005



FEE# 2011031182

OFFICIAL RECORDS
OF MOHAVE COUNTY
CAROL MEIER,
COUNTY RECORDER



06/13/2011 09:27 AM Fee: \$14.00

PAGE: 1 of 2

LOCATION NOTICE FOR PLACER MINING CLAIM

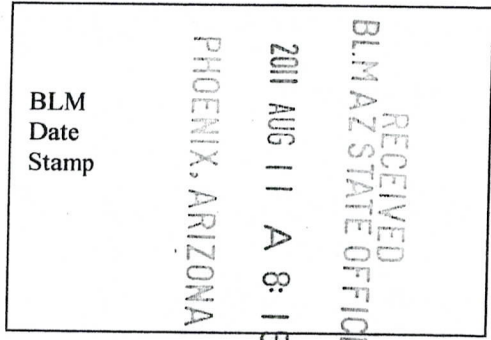
NOTICE IS HEREBY GIVEN that the UMED.19

_____ placer mining claim has been located by

UMED Holdings, Inc. whose current mailing

address is 119 Woodstream Ct.

CRESSON, TX 76035



The general course of this claim is NE 1/4 of Sec. 2 and it is situated in

Mohave County, Arizona.

This claim is 660 feet in length and 1320 feet in width. This claim runs from the

location monument on which this location notice is posted approximately 660 feet in a North direction to the North end line and 1320 feet in a EAST direction to the EAST end line.

This claim is marked by four monuments, one at each corner of the claim.

The location monument on which this notice is posted is situated within Section 2, Township

13 N, Range 15 W, Gila Salt River Base and Meridian, Arizona. This claim encompasses

portions of the following legal subdivision(s) if located by legal subdivision or the following quarter section (s),

section (s), Township (s) and Range (s) 5 1/2 of the NE 1/4 of the NE 1/4 of SECTION 2,

TWN 13 N, Range 15 W, Mohave County, Gila Salt River Base and Meridian, Arizona.

The locality of this claim with reference to some natural object or permanent monument and additional

information (if any) concerning its locality are as follows: 1320' south of 3960' East of the NW corner of Bevo I.

DATED AND POSTED on the ground this 9 day of June, 2011.

LOCATOR (s) Jubal Caldwell

Jubal Caldwell
230 CHEYENNE

Form MCF102
Revised July 2005

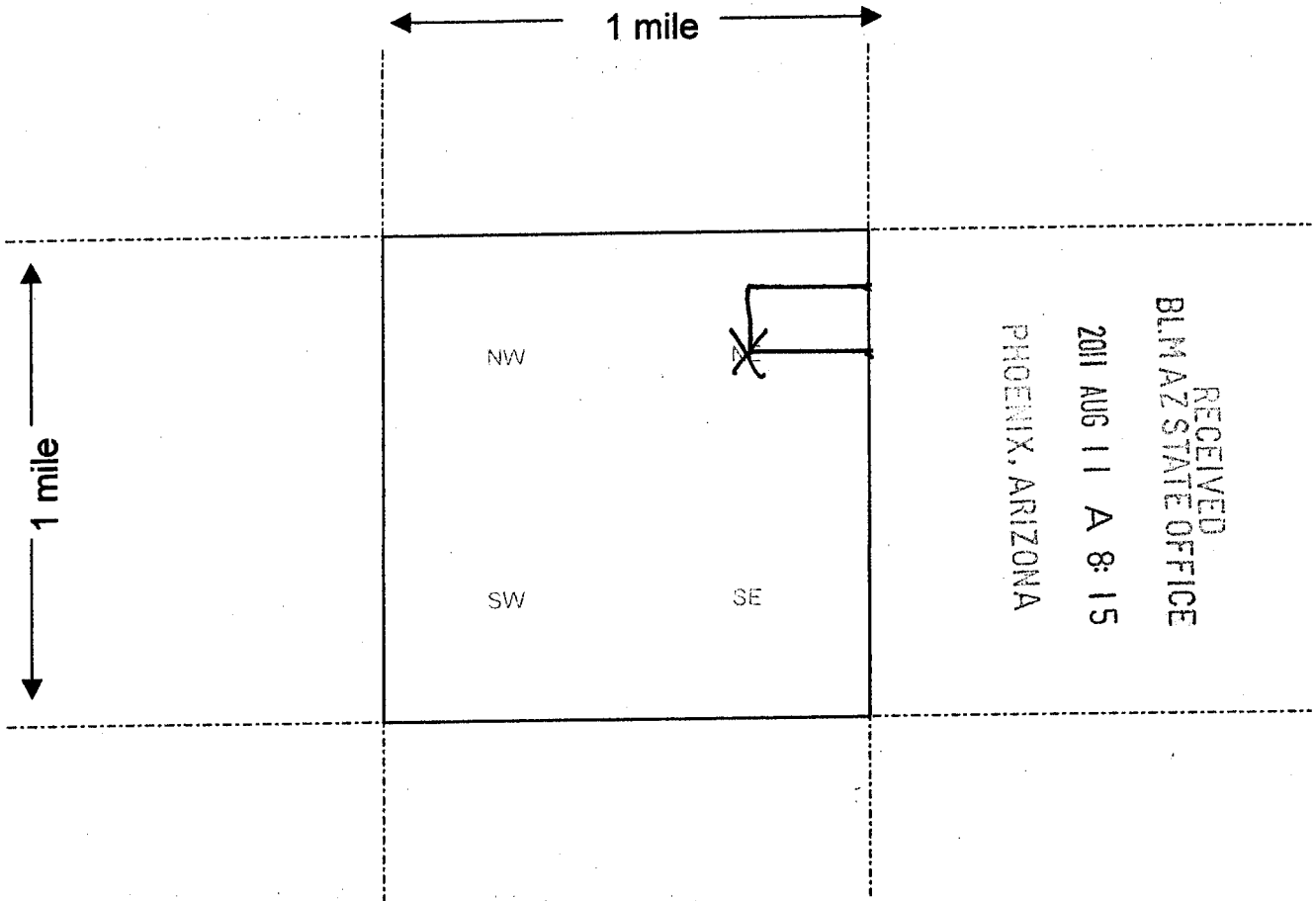
This form is available from the Arizona Department of Mines & Mineral Resources and may be reproduced.

Stephenville, TX 76401

AMC410010

MINING CLAIM MAP

Lode () Placer (X)



Scale : 1" = 2000 feet



1. The above map depicts the UMED-19 mining claim, which is located in Section (s) 2, Township 13 N, Range 15 W, Gila and Salt River Base and Meridian, Mohave County, Arizona.
2. The type of corner and location monuments used are as follows: 5' wooden stake.
3. The bearings and distances in degrees and feet between claim corners are as depicted on the map.

Form MCF100a
Revised July 2005

This form is available from the Arizona Department of Mines & Mineral Resources and may be reproduced.

2



FEE# 2011031183

OFFICIAL RECORDS OF MOHAVE COUNTY CAROL MEIER, COUNTY RECORDER



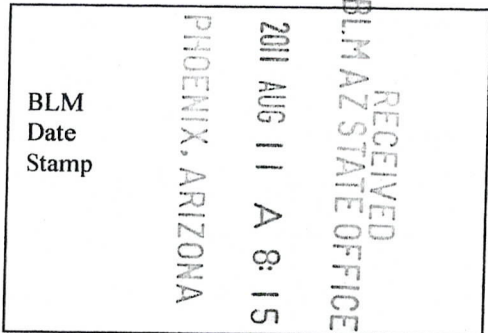
06/13/2011 09:27 AM Fee: \$14.00

PAGE: 1 of 2

LOCATION NOTICE FOR PLACER MINING CLAIM

NOTICE IS HEREBY GIVEN that the UMED.20 placer mining claim has been located by UMED Holdings, Inc. whose current mailing address is 119 Woodstream Ct. CRESSON, TX 76035

Ret:



The general course of this claim is NE 1/4 of SEC. 2 and it is situated in Mohave County, Arizona.

This claim is 660 feet in length and 1320 feet in width. This claim runs from the location monument on which this location notice is posted approximately 660 feet in a North direction to the North end line and 1320 feet in a East direction to the East end line. This claim is marked by four monuments, one at each corner of the claim.

The location monument on which this notice is posted is situated within Section 2, Township 13 N, Range 15 W, Gila Salt River Base and Meridian, Arizona. This claim encompasses portions of the following legal subdivision(s) if located by legal subdivision or the following quarter section (s), section (s), Township (s) and Range (s) S 1/2 of the NW 1/4 of the NE 1/4 of SECTION 2, Twp 13N, Range 15W, Mohave County, Gila Salt River Base and Meridian, Arizona.

The locality of this claim with reference to some natural object or permanent monument and additional information (if any) concerning its locality are as follows: 1320' south of 2640' East of the NW corner of BEVO I.

DATED AND POSTED on the ground this 9 day of June, 20 11.

LOCATOR (s) Jubal Caldwell
Jubal Caldwell
230 CHEYENNE

Form MCF102 Revised July 2005

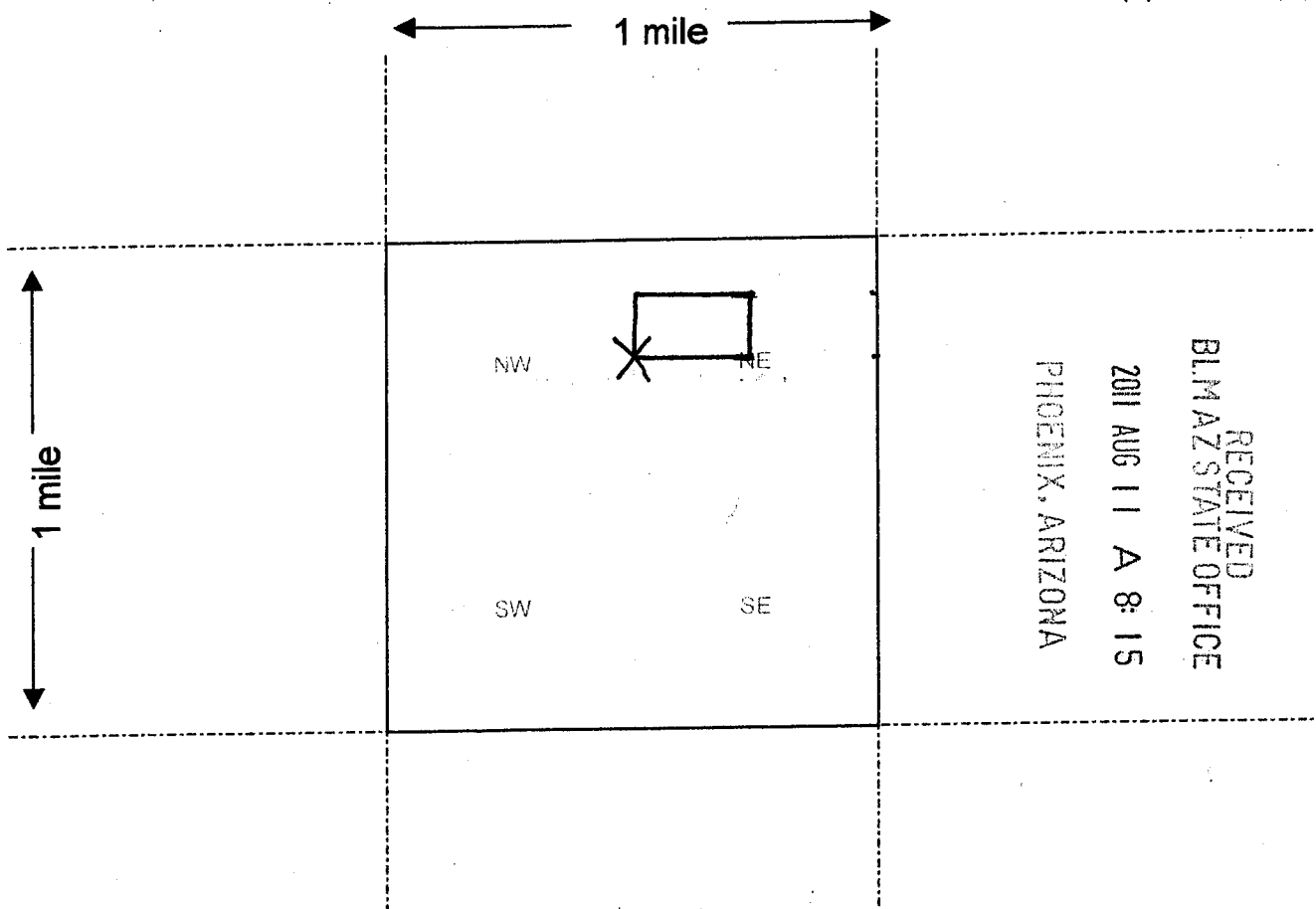
This form is available from the Arizona Department of Mines & Mineral Resources and may be reproduced.

Stephenville, TX 76401

AMC410011

MINING CLAIM MAP

Lode () Placer (X)



RECEIVED
BLM AZ STATE OFFICE
2011 AUG 11 A 8:15
PHOENIX, ARIZONA

Scale : 1" = 2000 feet



1. The above map depicts the UMED-20 mining claim, which is located in Section (s) 2, Township 13 N, Range 15 W, Gila and Salt River Base and Meridian, Mohave County, Arizona.

2. The type of corner and location monuments used are as follows: 5' wooden stake.

3. The bearings and distances in degrees and feet between claim corners are as depicted on the map.

Form MCF100a
Revised July 2005



FEE# 2011031184

OFFICIAL RECORDS OF MOHAVE COUNTY CAROL MEIER, COUNTY RECORDER



06/13/2011 09:27 AM Fee: \$14.00

PAGE: 1 of 2

LOCATION NOTICE FOR PLACER MINING CLAIM

NOTICE IS HEREBY GIVEN that the UMED. 21 placer mining claim has been located by UMED Holdings, Inc. whose current mailing address is 119 Woodstream Ct. CRESSON, TX 76035

Ref:

RECEIVED BLM AZ STATE OFFICE 2011 AUG 11 A 8:15 PHOENIX, ARIZONA BLM Date Stamp

The general course of this claim is NE 1/4 of SEC. 2 and it is situated in Mohave County, Arizona.

This claim is 660 feet in length and 1320 feet in width. This claim runs from the location monument on which this location notice is posted approximately 660 feet in a North direction to the North end line and 1320 feet in a EAST direction to the EAST end line.

This claim is marked by four monuments, one at each corner of the claim.

The location monument on which this notice is posted is situated within Section 2, Township 13 N, Range 15 W, Gila Salt River Base and Meridian, Arizona. This claim encompasses portions of the following legal subdivision(s) if located by legal subdivision or the following quarter section (s), section (s), Township (s) and Range (s) N 1/2 of the SE 1/4 of the NE 1/4 of SECTION 2, Twn 13N, Range 15 W, Mohave County, Gila Salt River Base and Meridian, Arizona.

AMC410012

The locality of this claim with reference to some natural object or permanent monument and additional information (if any) concerning its locality are as follows: 1980' South of 3960' East of the NW corner at Bevo I.

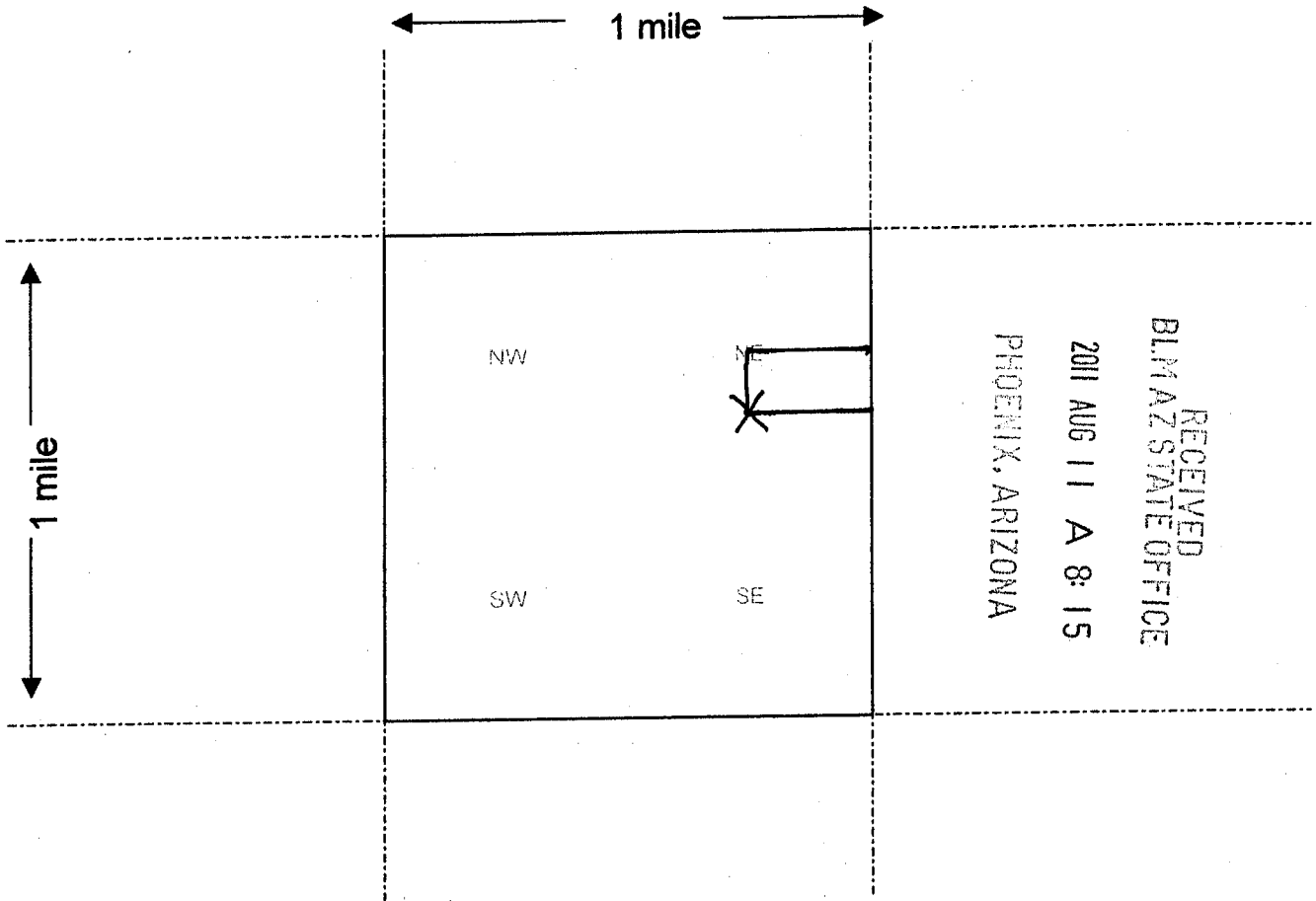
DATED AND POSTED on the ground this 9 day of June, 2011.

LOCATOR (s) Jubal Caldwell
Jubal Caldwell
230 CHEYENNE

Form MCF102 Revised July 2005

MINING CLAIM MAP

Lode () Placer (X)



Scale : 1" = 2000 feet



1. The above map depicts the UMED.21 mining claim, which is located in Section (s) 2, Township 13 N, Range 15 W, Gila and Salt River Base and Meridian, Mohave County, Arizona.
2. The type of corner and location monuments used are as follows: 5' wooden stake.
3. The bearings and distances in degrees and feet between claim corners are as depicted on the map.

Form MCF100a
Revised July 2005

This form is available from the Arizona Department of Mines & Mineral Resources and may be reproduced.

2

FEE# 2011031185

OFFICIAL RECORDS OF MOHAVE COUNTY CAROL MEIER, COUNTY RECORDER



06/13/2011 09:27 AM Fee: \$14.00

PAGE: 1 of 2

LOCATION NOTICE FOR PLACER MINING CLAIM

NOTICE IS HEREBY GIVEN that the UMED. 22 placer mining claim has been located by UMED Holdings, Inc. whose current mailing address is 119 Woodstream Ct. CRESSON, TX 76035

Bel.

RECEIVED BLM AZ STATE OFFICE 2011 AUG 11 A 8:15 PHOENIX, ARIZONA BLM Date Stamp

The general course of this claim is NE 1/4 of Sec. 2 and it is situated in Mohave County, Arizona.

This claim is 660 feet in length and 1320 feet in width. This claim runs from the location monument on which this location notice is posted approximately 660 feet in a North direction to the North end line and 1320 feet in a East direction to the East end line. This claim is marked by four monuments, one at each corner of the claim.

ANCL 10013

The location monument on which this notice is posted is situated within Section 2, Township 13 N, Range 15 W, Gila Salt River Base and Meridian, Arizona. This claim encompasses portions of the following legal subdivision(s) if located by legal subdivision or the following quarter section (s), section (s), Township (s) and Range (s) N 1/2 of the SW 1/4 of the NE 1/4 of Section 2, Twn 13 N, Range 15 W, Mohave County, Gila Salt River Base and Meridian, Arizona.

The locality of this claim with reference to some natural object or permanent monument and additional information (if any) concerning its locality are as follows: 1980' South of 2640' East of the NW corner of Bevo I.

DATED AND POSTED on the ground this 9 day of June, 2011.

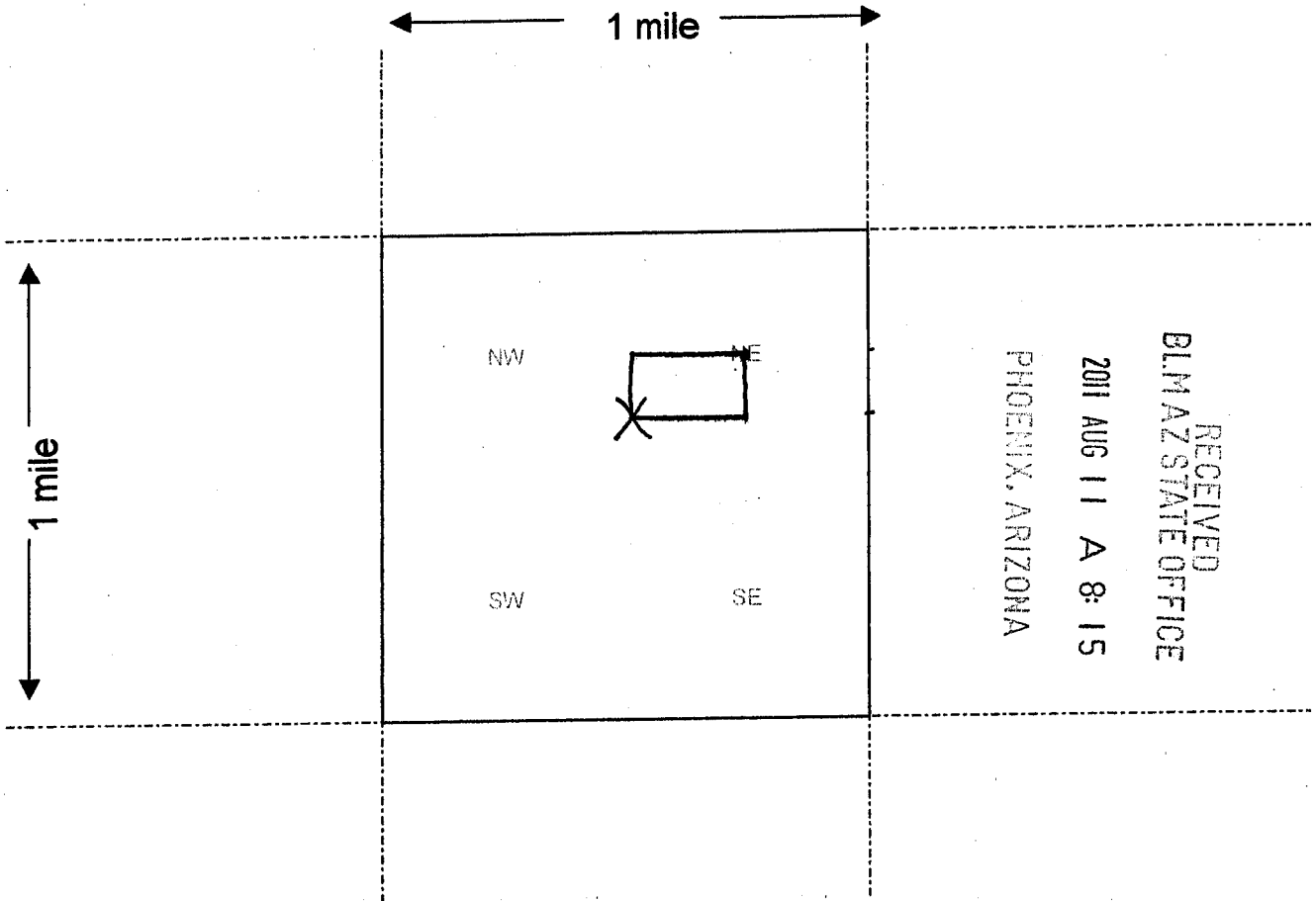
LOCATOR (s) Jubal Caldwell
Jubal Caldwell
230 CHEYENNE

Form MCF102 Revised July 2005

This form is available from the Arizona Department of Mines & Mineral Resources and may be reproduced. Stephenville, TX 76401

MINING CLAIM MAP

Lode () Placer (X)



RECEIVED
BLM AZ STATE OFFICE
2011 AUG 11 A 8:15
PHOENIX, ARIZONA

Scale : 1" = 2000 feet



1. The above map depicts the UMED. 22 mining claim, which is located in Section (s) 2, Township 13 N, Range 15 W, Gila and Salt River Base and Meridian, Mohave County, Arizona.
2. The type of corner and location monuments used are as follows: 5' wooden stake.
3. The bearings and distances in degrees and feet between claim corners are as depicted on the map.

Form MCF100a
Revised July 2005



FEE# 2011031186

OFFICIAL RECORDS
OF MOHAVE COUNTY
CAROL MEIER,
COUNTY RECORDER



06/13/2011 09:27 AM Fee: \$14.00

PAGE: 1 of 2

LOCATION NOTICE FOR PLACER MINING CLAIM

NOTICE IS HEREBY GIVEN that the UMED. 23

_____ placer mining claim has been located by

UMED Holdings, Inc. whose current mailing

address is 119 Woodstream Ct.

CRESSON, TX 76035

Ret.

RECEIVED
BLM AZ STATE OFFICE
2011 AUG 11 A 8:15
PHOENIX, ARIZONA
BLM
Date
Stamp

The general course of this claim is NE 1/4 of SEC. 2 and it is situated in

Mohave County, Arizona.

This claim is 660 feet in length and 1320 feet in width. This claim runs from the

location monument on which this location notice is posted approximately 660 feet in a North direction to the North end line and 1320 feet in a East direction to the East end line.

This claim is marked by four monuments, one at each corner of the claim.

The location monument on which this notice is posted is situated within Section 2, Township

13 N, Range 15 W, Gila Salt River Base and Meridian, Arizona. This claim encompasses

portions of the following legal subdivision(s) if located by legal subdivision or the following quarter section (s),

section (s), Township (s) and Range (s) S 1/2 of the SE 1/4 of the NE 1/4 of Section 2,

Twp 13 N, Range 15 W, Mohave County, Gila Salt River Base and Meridian, Arizona.

AMC410014

The locality of this claim with reference to some natural object or permanent monument and additional information (if any) concerning its locality are as follows: 2640' South of 3960' East of the NW corner at Bevo I.

DATED AND POSTED on the ground this 9 day of June, 2011.

LOCATOR (s) Jubal Caldwell
Jubal Caldwell
230 Cheyenne

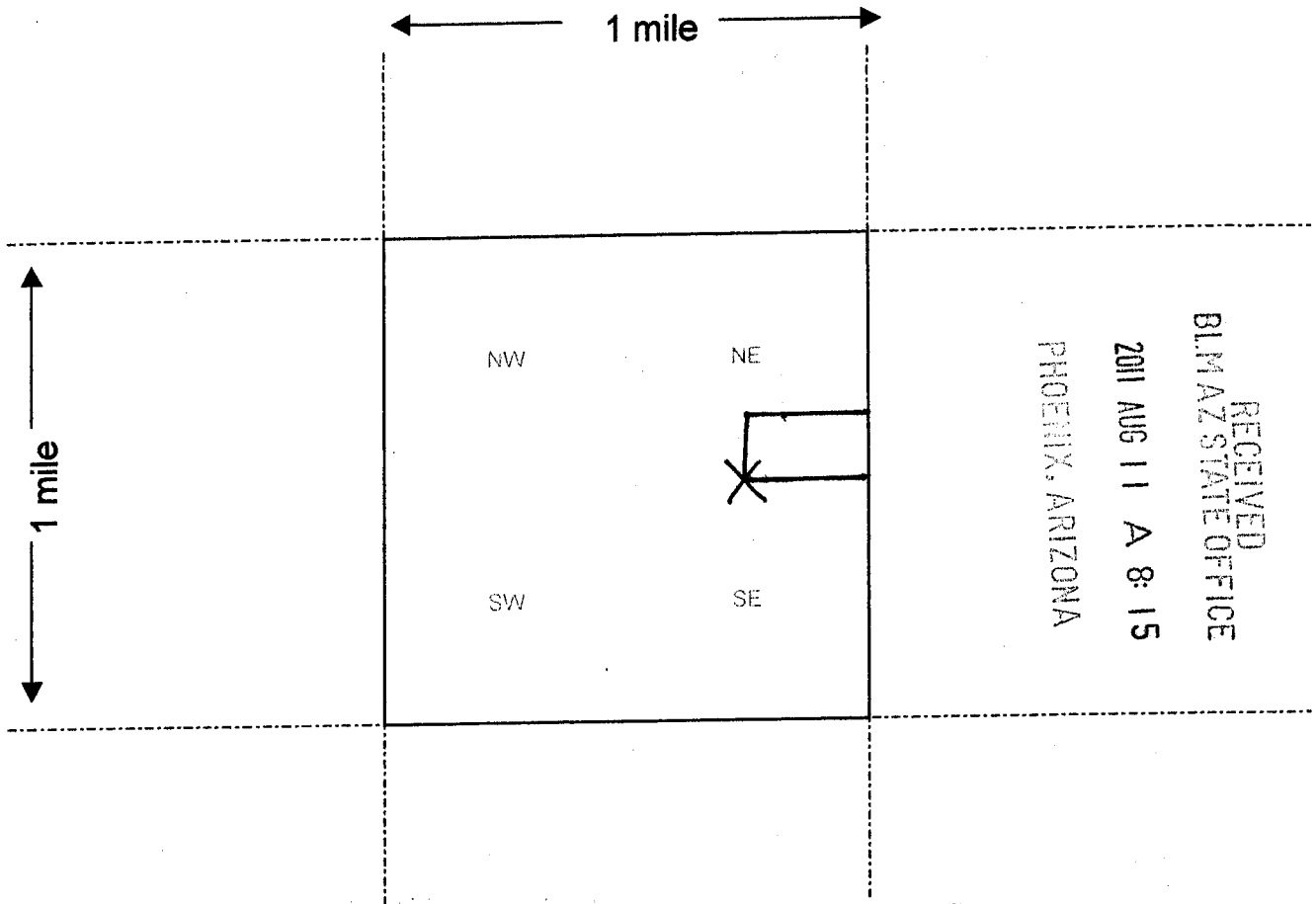
Form MCF102
Revised July 2005

This form is available from the Arizona Department of Mines & Mineral Resources and may be reproduced.

Stephenville, TX 76401

MINING CLAIM MAP

Lode () Placer (X)



RECEIVED
BLM AZ STATE OFFICE
2011 AUG 11 A 8:15
PHOENIX, ARIZONA

Scale : 1" = 2000 feet



1. The above map depicts the UMED.23 mining claim, which is located in Section (s) 2, Township 13 N, Range 15 W, Gila and Salt River Base and Meridian, Mohave County, Arizona.
2. The type of corner and location monuments used are as follows: 5' wooden stake.
3. The bearings and distances in degrees and feet between claim corners are as depicted on the map.

Form MCF100a
Revised July 2005

This form is available from the Arizona Department of Mines & Mineral Resources and may be reproduced.

2

FEE# 2011031187

OFFICIAL RECORDS OF MOHAVE COUNTY CAROL MEIER, COUNTY RECORDER



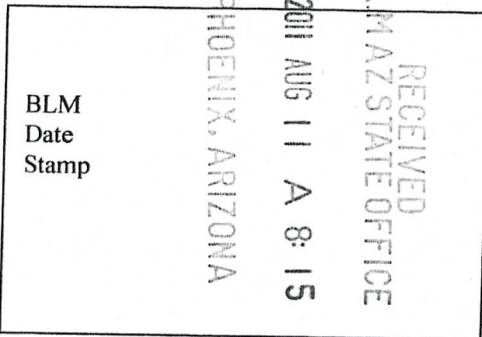
06/13/2011 09:27 AM Fee: \$14.00

PAGE: 1 of 2

LOCATION NOTICE FOR PLACER MINING CLAIM

NOTICE IS HEREBY GIVEN that the UMED. 24 placer mining claim has been located by UMED Holdings, Inc. whose current mailing address is 119 Woodstream Ct. CRESSON, TX 76035

Ret.



The general course of this claim is NE 1/4 of Sec. 2 and it is situated in Mohave County, Arizona.

This claim is 660 feet in length and 1320 feet in width. This claim runs from the location monument on which this location notice is posted approximately 660 feet in a North direction to the North end line and 1320 feet in a East direction to the East end line.

This claim is marked by four monuments, one at each corner of the claim.

The location monument on which this notice is posted is situated within Section 2, Township 13 N, Range 15 W, Gila Salt River Base and Meridian, Arizona. This claim encompasses portions of the following legal subdivision(s) if located by legal subdivision or the following quarter section (s), section (s), Township (s) and Range (s) S 1/2 of the SW 1/4 of the NE 1/4 of Section 2, Twn 13N, Range 15W, Mohave County, Gila Salt River Base and Meridian, Arizona.

The locality of this claim with reference to some natural object or permanent monument and additional information (if any) concerning its locality are as follows: 2640' south of 2640' East of NW corner of BEVO I.

DATED AND POSTED on the ground this 9 day of June, 2011.

LOCATOR (s) Jubal Caldwell
Jubal Caldwell
230 CHEYENNE

Form MCF102 Revised July 2005

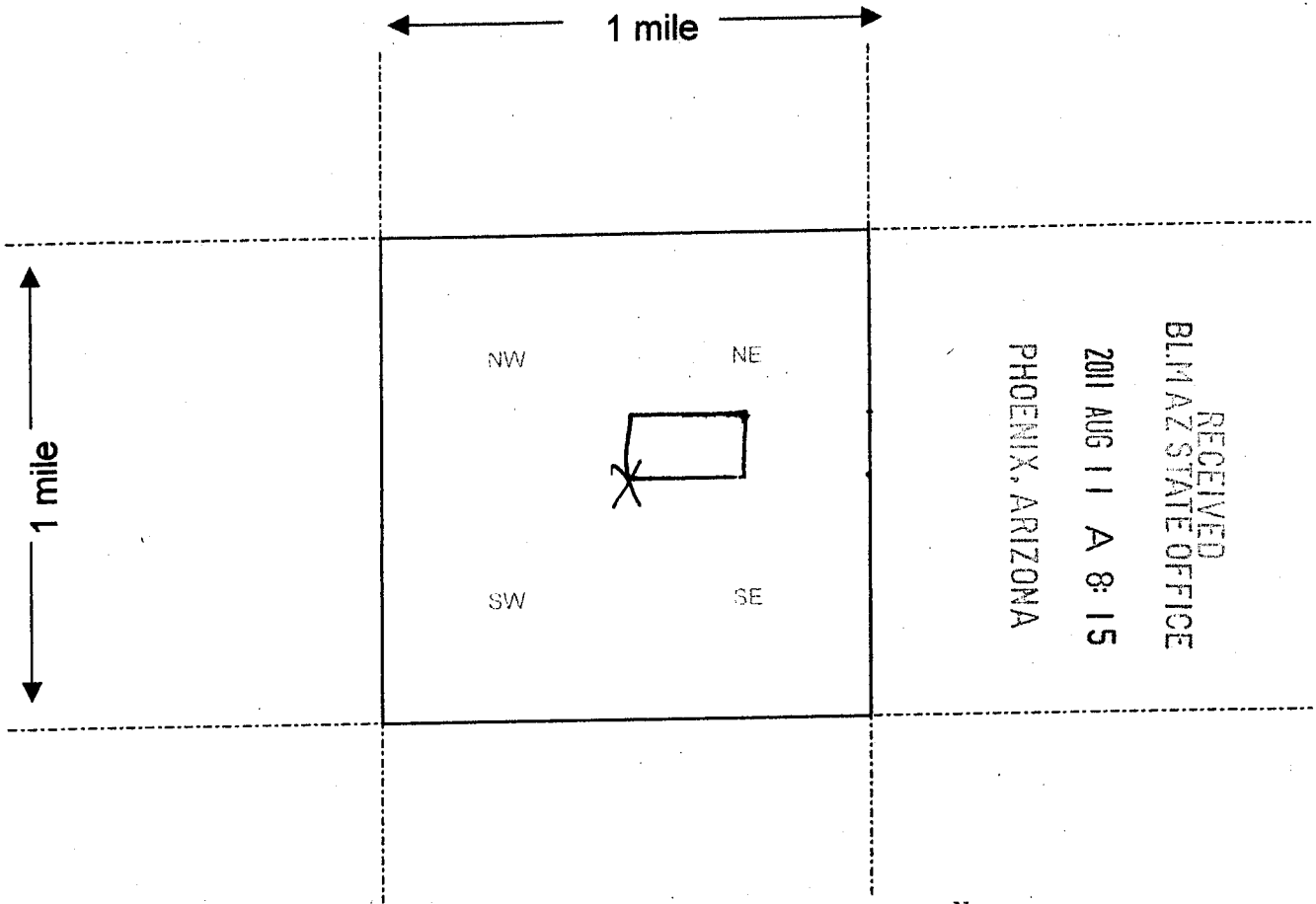
This form is available from the Arizona Department of Mines & Mineral Resources and may be reproduced.

Stephenville, TX 76401

ANC410015

MINING CLAIM MAP

Lode () Placer (X)



RECEIVED
BLM AZ STATE OFFICE
2011 AUG 11 A 8:15
PHOENIX, ARIZONA

Scale : 1" = 2000 feet



- The above map depicts the UMED. 24 mining claim, which is located in Section (s) 2, Township 13 N, Range 15 W, Gila and Salt River Base and Meridian, Mohave County, Arizona.
- The type of corner and location monuments used are as follows: 5' wooden stake.
- The bearings and distances in degrees and feet between claim corners are as depicted on the map.

Form MCF100a
Revised July 2005

This form is available from the Arizona Department of Mines & Mineral Resources and may be reproduced.

2



FEE# 2011031188

OFFICIAL RECORDS OF MOHAVE COUNTY CAROL MEIER, COUNTY RECORDER



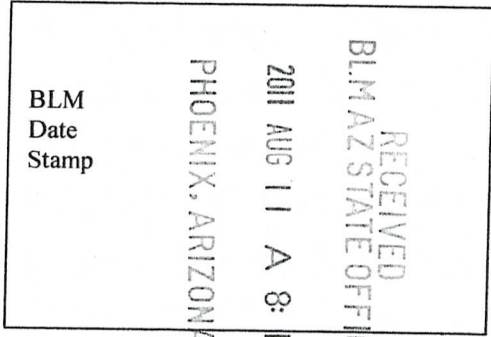
06/13/2011 09:27 AM Fee: \$14.00

PAGE: 1 of 2

LOCATION NOTICE FOR PLACER MINING CLAIM

NOTICE IS HEREBY GIVEN that the UMED, 25 placer mining claim has been located by UMED Holdings, Inc. whose current mailing address is 119 Woodstream Ct. CRESSON, TX 76035

Ret:



The general course of this claim is SE 1/4 of SEC. 2 and it is situated in Mohave County, Arizona.

This claim is 660 feet in length and 1320 feet in width. This claim runs from the location monument on which this location notice is posted approximately 660 feet in a North direction to the North end line and 1320 feet in a EAST direction to the EAST end line.

This claim is marked by four monuments, one at each corner of the claim.

The location monument on which this notice is posted is situated within Section 2, Township 13 N, Range 15 W, Gila Salt River Base and Meridian, Arizona. This claim encompasses portions of the following legal subdivision(s) if located by legal subdivision or the following quarter section (s), section (s), Township (s) and Range (s) N 1/2 of the NE 1/4 of the SE 1/4 of Section 2, Twp 13N, Range 15W, Mohave County, Gila Salt River Base and Meridian, Arizona.

The locality of this claim with reference to some natural object or permanent monument and additional information (if any) concerning its locality are as follows: 3300' South & 3960' EAST of the NW corner of Bevo I.

DATED AND POSTED on the ground this 9 day of June, 2011.

LOCATOR (s) Jubal Caldwell
Jubal Caldwell
230 CHEYENNE

Form MCF102 Revised July 2005

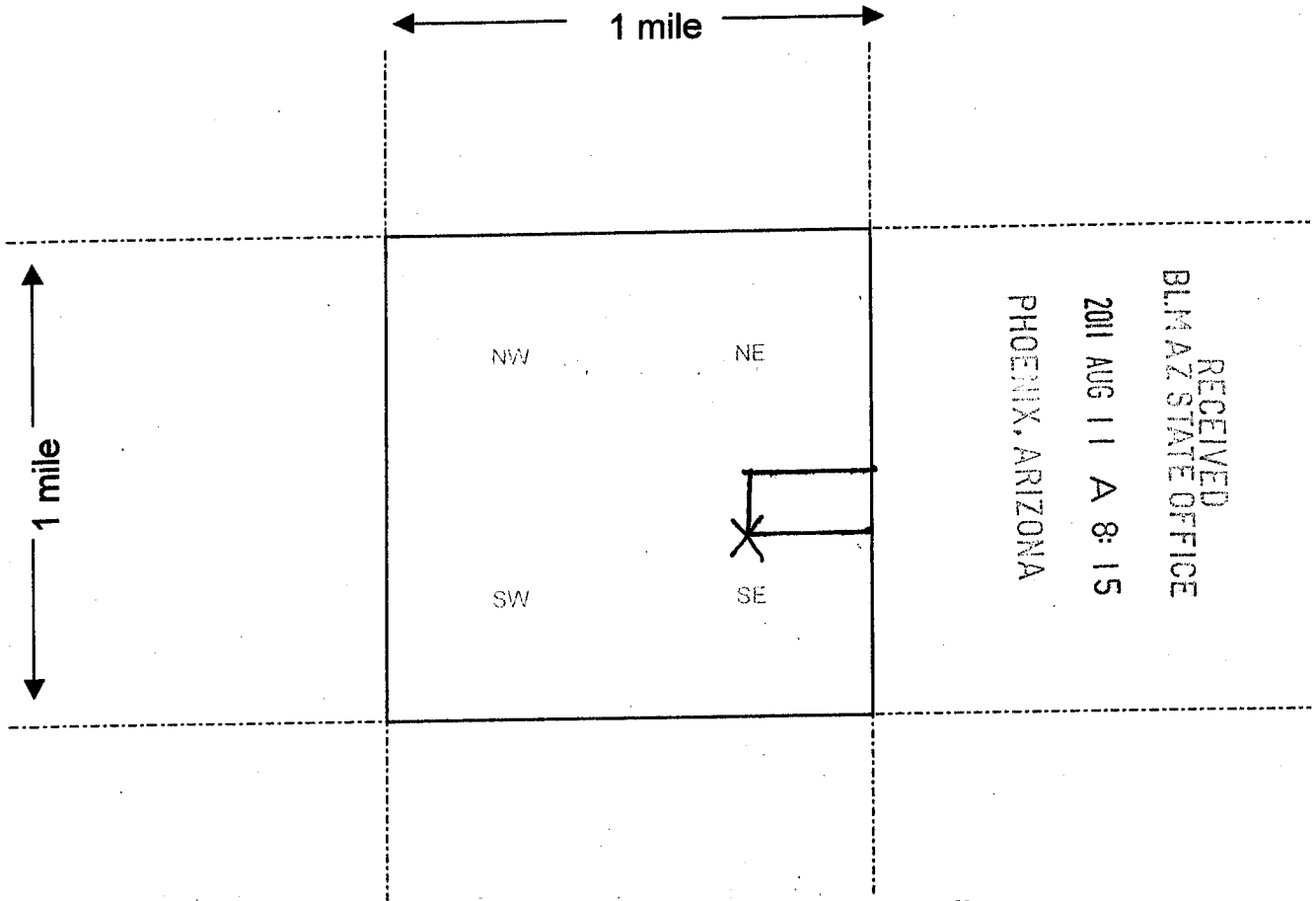
This form is available from the Arizona Department of Mines & Mineral Resources and may be reproduced.

Stephenville, TX 76401

AMC410016

MINING CLAIM MAP

Lode () Placer (X)



RECEIVED
BLM AZ STATE OFFICE
2011 AUG 11 A 8:15
PHOENIX, ARIZONA

Scale : 1" = 2000 feet



1. The above map depicts the UMED.25 mining claim, which is located in Section (s) 2, Township 13 N, Range 15 W, Gila and Salt River Base and Meridian, Mohave County, Arizona.
2. The type of corner and location monuments used are as follows: 5' wooden stake.
3. The bearings and distances in degrees and feet between claim corners are as depicted on the map.

Form MCF100a
Revised July 2005

This form is available from the Arizona Department of Mines & Mineral Resources and may be reproduced.

FEE# 2011031189

OFFICIAL RECORDS
OF MOHAVE COUNTY
CAROL MEIER,
COUNTY RECORDER



06/13/2011 09:27 AM Fee: \$14.00

PAGE: 1 of 2

LOCATION NOTICE FOR PLACER MINING CLAIM

NOTICE IS HEREBY GIVEN that the UMED, 26
_____ placer mining claim has been located by
UMED Holdings, Inc. whose current mailing
address is 119 Woodstream Ct.
CRESSON, TX 76035

Ret!

RECEIVED
BLM AZ STATE OFFICE
2011 AUG 11 A 8:15
PHOENIX, ARIZONA
BLM
Date
Stamp

The general course of this claim is SE 1/4 of SEC. 2 and it is situated in
Mohave County, Arizona.

This claim is 660 feet in length and 1320 feet in width. This claim runs from the
location monument on which this location notice is posted approximately 660 feet in a North
direction to the North end line and 1320 feet in a EAST direction to the EAST end line.
This claim is marked by four monuments, one at each corner of the claim.

The location monument on which this notice is posted is situated within Section 2, Township
13 N, Range 15 W, Gila Salt River Base and Meridian, Arizona. This claim encompasses
portions of the following legal subdivision(s) if located by legal subdivision or the following quarter section (s),
section (s), Township (s) and Range (s) N 1/2 of the NW 1/4 of the SE 1/4 of Section 2,
Twp 13N, Range 15W, Mohave County, Gila Salt River Base and Meridian, Arizona.

The locality of this claim with reference to some natural object or permanent monument and additional
information (if any) concerning its locality are as follows: 3300' South & 2640' East
of the NW corner of BEVO I.

DATED AND POSTED on the ground this 9 day of June, 2011.

LOCATOR (s) Jubal Caldwell
Jubal Caldwell
230 Cheyenne

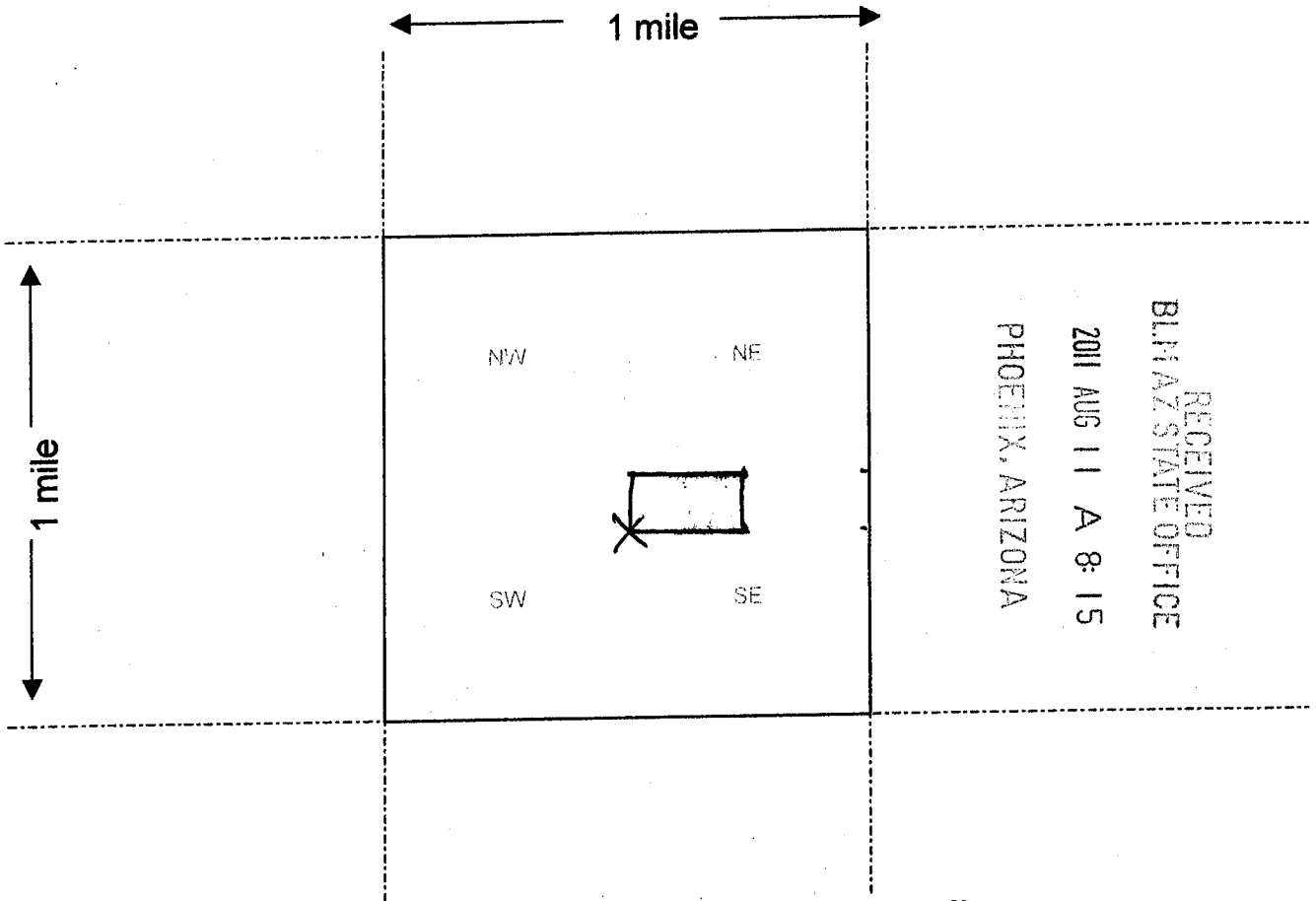
Form MCF102
Revised July 2005

This form is available from the Arizona Department of Mines & Mineral Resources and may be reproduced.
Stephenville, TX 76401

ANC410017

MINING CLAIM MAP

Lode () Placer (X)



Scale : 1" = 2000 feet



1. The above map depicts the UMED-24 mining claim, which is located in Section (s) 2, Township 13 N, Range 15 W, Gila and Salt River Base and Meridian, Mohave County, Arizona.
2. The type of corner and location monuments used are as follows: 5' wooden stake.
3. The bearings and distances in degrees and feet between claim corners are as depicted on the map.

Form MCF100a
Revised July 2005

This form is available from the Arizona Department of Mines & Mineral Resources and may be reproduced.

2

FEE# 2011031190

OFFICIAL RECORDS OF MOHAVE COUNTY CAROL MEIER, COUNTY RECORDER



06/13/2011 09:27 AM Fee: \$14.00

PAGE: 1 of 2

LOCATION NOTICE FOR PLACER MINING CLAIM

NOTICE IS HEREBY GIVEN that the UMED, 27 placer mining claim has been located by UMED Holdings, Inc. whose current mailing address is 119 Woodstream Ct. CRESSON, TX 76035

RECEIVED BLM AZ STATE OFFICE 2011 AUG 11 A 8:15 PHOENIX, ARIZONA BLM Date Stamp

The general course of this claim is SE 1/4 of sec. 2 and it is situated in Mohave County, Arizona.

This claim is 660 feet in length and 1320 feet in width. This claim runs from the location monument on which this location notice is posted approximately 660 feet in a North direction to the North end line and 1320 feet in a EAST direction to the EAST end line. This claim is marked by four monuments, one at each corner of the claim.

The location monument on which this notice is posted is situated within Section 2, Township 13 N, Range 15 W, Gila Salt River Base and Meridian, Arizona. This claim encompasses portions of the following legal subdivision(s) if located by legal subdivision or the following quarter section (s), section (s), Township (s) and Range (s) S 1/2 of the NE 1/4 of the SE 1/4 of Section 2, Twn 13N, Range 15W, Mohave County, Gila Salt River Base and Meridian, Arizona.

The locality of this claim with reference to some natural object or permanent monument and additional information (if any) concerning its locality are as follows: 3960' South & 3960' East of the NW corner of BEVA I.

DATED AND POSTED on the ground this 9 day of June, 20 11.

LOCATOR (s) Jubal Caldwell
Jubal Caldwell
230 CHEYENNE

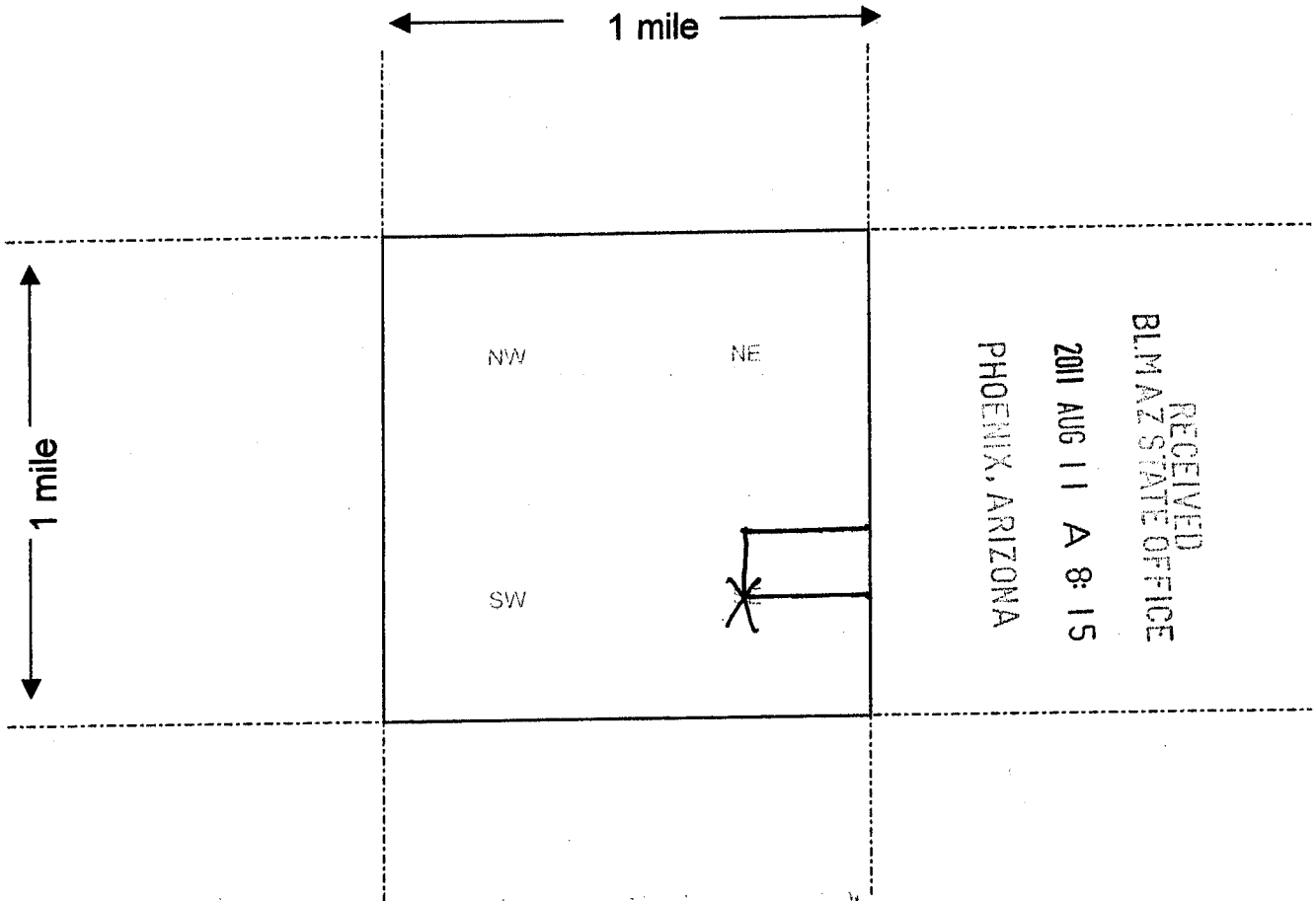
Form MCF102 Revised July 2005

This form is available from the Arizona Department of Mines & Mineral Resources and may be reproduced. Stephanville, TX 76401

AN0410018

MINING CLAIM MAP

Lode () Placer (X)



RECEIVED
BLM AZ STATE OFFICE
2011 AUG 11 A 8:15
PHOENIX, ARIZONA

Scale : 1" = 2000 feet



1. The above map depicts the UMED-27 mining claim, which is located in Section (s) 2, Township 13 N, Range 15 W, Gila and Salt River Base and Meridian, Mohave County, Arizona.
2. The type of corner and location monuments used are as follows: 5' wooden stake.
3. The bearings and distances in degrees and feet between claim corners are as depicted on the map.

Form MCF100a
Revised July 2005



FEE# 2011031191

OFFICIAL RECORDS OF MOHAVE COUNTY CAROL MEIER, COUNTY RECORDER



06/13/2011 09:27 AM Fee: \$14.00

PAGE: 1 of 2

LOCATION NOTICE FOR PLACER MINING CLAIM

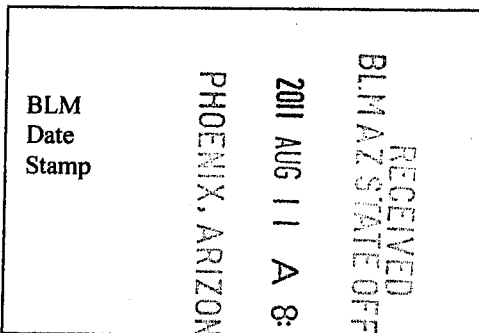
NOTICE IS HEREBY GIVEN that the UMED, 28

_____ placer mining claim has been located by

UMED Holdings, Inc. whose current mailing

address is 119 Woodstream Ct.

CRESSON, TX 76035



Best:

The general course of this claim is SE 1/4 of SEC. 2 and it is situated in

Mohave County, Arizona.

This claim is 660 feet in length and 1320 feet in width. This claim runs from the location monument on which this location notice is posted approximately 660 feet in a North direction to the North end line and 1320 feet in a EAST direction to the EAST end line.

This claim is marked by four monuments, one at each corner of the claim.

The location monument on which this notice is posted is situated within Section 2, Township 13 N, Range 15 W, Gila Salt River Base and Meridian, Arizona. This claim encompasses portions of the following legal subdivision(s) if located by legal subdivision or the following quarter section (s), section (s), Township (s) and Range (s) S 1/2 of the NW 1/4 of the SE 1/4 of Section 2, Town 13 N, Range 15 W, Mohave County, Gila Salt River Base and Meridian, Arizona.

The locality of this claim with reference to some natural object or permanent monument and additional information (if any) concerning its locality are as follows: 3960' South & 2640' East of the NW corner at BEVO I.

DATED AND POSTED on the ground this 9 day of June, 2011.

LOCATOR (s) Jubal Caldwell
Jubal Caldwell
230 CHEYENNE

Form MCF102 Revised July 2005

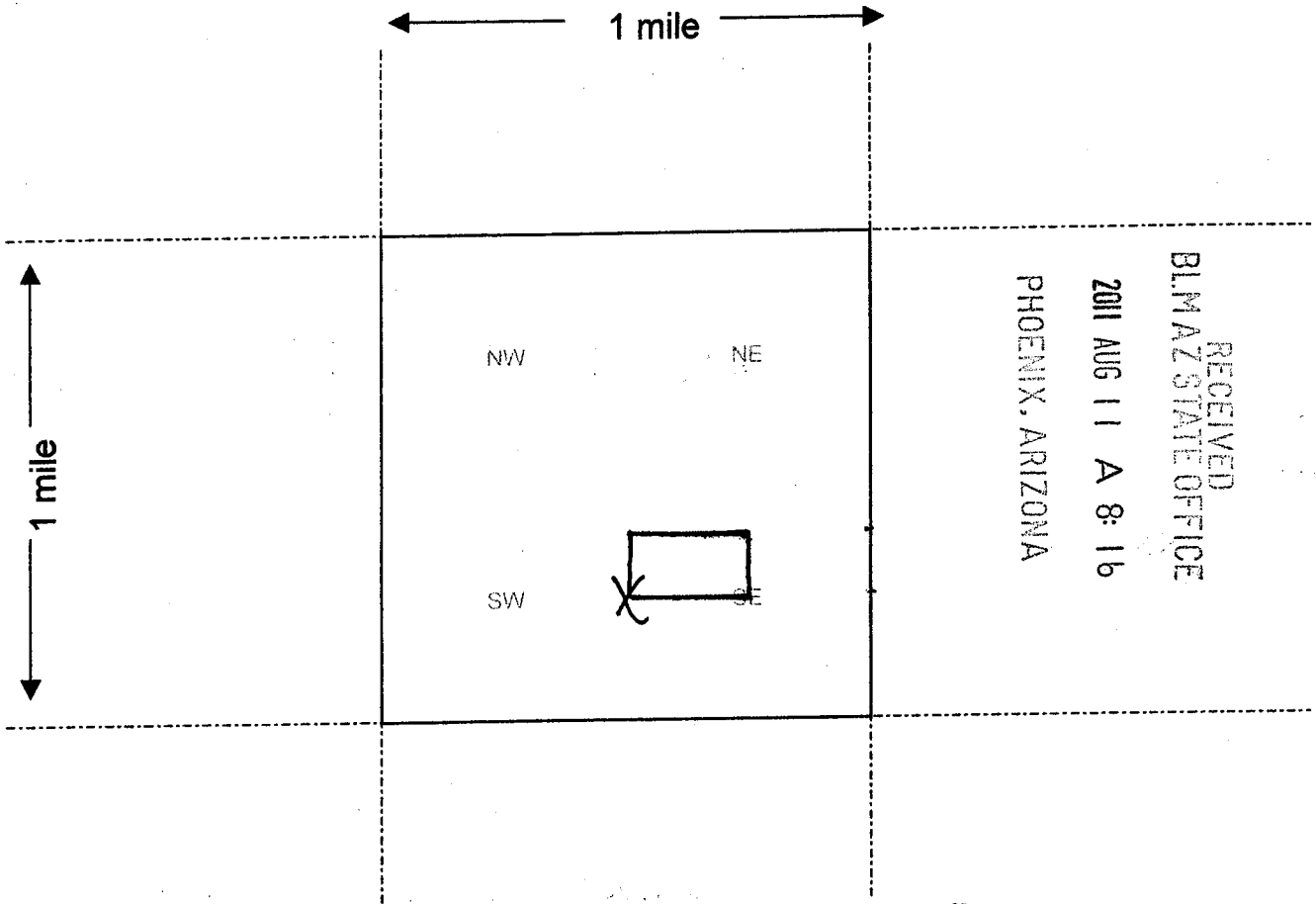
This form is available from the Arizona Department of Mines & Mineral Resources and may be reproduced.

Stephenville, TX 76401

AMC410019

MINING CLAIM MAP

Lode () Placer (X)



RECEIVED
BLM AZ STATE OFFICE
2011 AUG 11 A 8:16
PHOENIX, ARIZONA

Scale : 1" = 2000 feet



1. The above map depicts the LMED. 28 mining claim, which is located in Section (s) 2, Township 13 N, Range 15 W, Gila and Salt River Base and Meridian, Mohave County, Arizona.
2. The type of corner and location monuments used are as follows: 5' wooden stake.
3. The bearings and distances in degrees and feet between claim corners are as depicted on the map.

Form MCF100a
Revised July 2005

This form is available from the Arizona Department of Mines & Mineral Resources and may be reproduced.



FEE# 2011031192

OFFICIAL RECORDS
OF MOHAVE COUNTY
CAROL MEIER,
COUNTY RECORDER



06/13/2011 09:27 AM Fee: \$14.00

PAGE: 1 of 2

LOCATION NOTICE FOR PLACER MINING CLAIM

NOTICE IS HEREBY GIVEN that the UMED. 29

_____ placer mining claim has been located by

UMED Holdings, Inc. whose current mailing

address is 119 Woodstream Ct.

CRESSON, TX 76035

BLM
Date
Stamp

PHOENIX, ARIZONA

2011 AUG 11 A 8:16

RECEIVED
BLM AZ STATE OFFICE

The general course of this claim is SE 1/4 of SEC. 2 and it is situated in

Mohave County, Arizona.

This claim is 660 feet in length and 1320 feet in width. This claim runs from the

location monument on which this location notice is posted approximately 660 feet in a North direction to the North end line and 1320 feet in a East direction to the East end line.

This claim is marked by four monuments, one at each corner of the claim.

The location monument on which this notice is posted is situated within Section 2, Township

13 N, Range 15 W, Gila Salt River Base and Meridian, Arizona. This claim encompasses

portions of the following legal subdivision(s) if located by legal subdivision or the following quarter section (s),

section (s), Township (s) and Range (s) N 1/2 of the SE 1/4 of the SE 1/4 of SECTION 2

Town 13 N, Range 15 W, Mohave County, Gila Salt River Base and Meridian, Arizona.

The locality of this claim with reference to some natural object or permanent monument and additional information (if any) concerning its locality are as follows: 4620' South of 3960' East of the NW CORNER of Bevo I.

DATED AND POSTED on the ground this 9 day of June, 2011.

LOCATOR (s) Jubal Caldwell

Jubal Caldwell
230 Cheyenne

Form MCF102
Revised July 2005

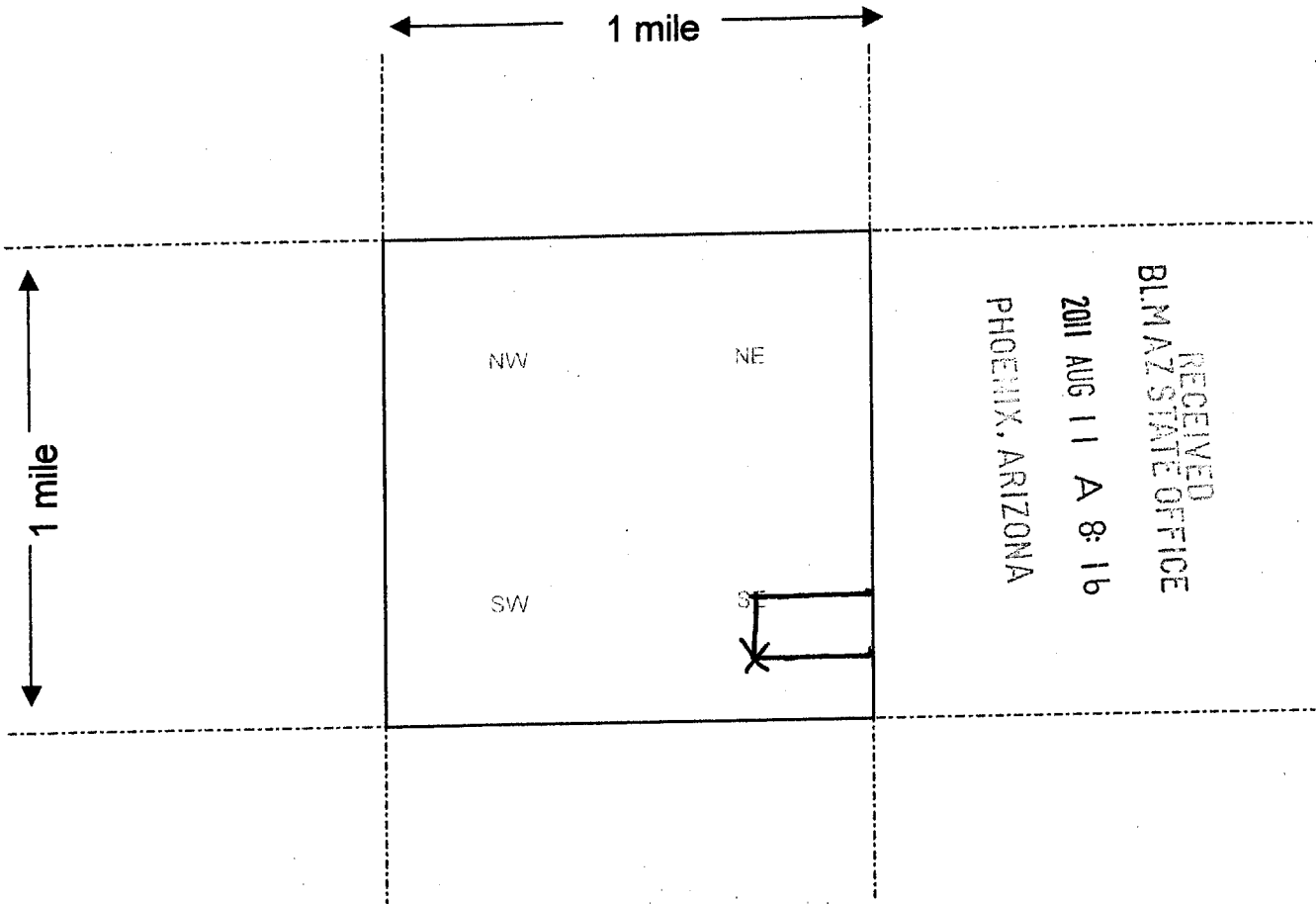
This form is available from the Arizona Department of Mines & Mineral Resources and may be reproduced.

Stephanville, TX 76401

AMC410020

MINING CLAIM MAP

Lode () Placer (X)



Scale : 1" = 2000 feet



1. The above map depicts the UMED-29 mining claim, which is located in Section (s) 2, Township 13 N, Range 15 W, Gila and Salt River Base and Meridian, Mohave County, Arizona.

2. The type of corner and location monuments used are as follows: 5' wooden stake.

3. The bearings and distances in degrees and feet between claim corners are as depicted on the map.

Form MCF100a
Revised July 2005



FEE# 2011031193

OFFICIAL RECORDS
OF MOHAVE COUNTY
CAROL MEIER,
COUNTY RECORDER



06/13/2011 09:27 AM Fee: \$14.00

PAGE: 1 of 2

LOCATION NOTICE FOR PLACER MINING CLAIM

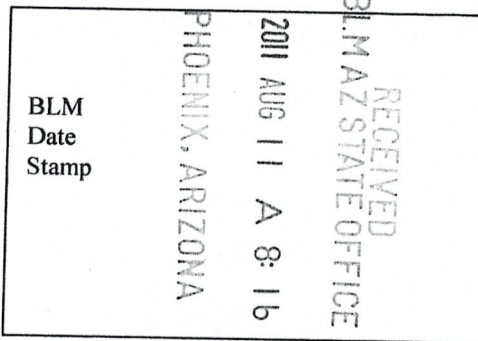
NOTICE IS HEREBY GIVEN that the UMED.30

_____ placer mining claim has been located by

UMED Holdings, Inc. whose current mailing

address is 119 Woodstream Ct.

CRESSON, TX 76035



Ret:

The general course of this claim is SE 1/4 of SEC. 2 and it is situated in Mohave County, Arizona.

This claim is 660 feet in length and 1320 feet in width. This claim runs from the location monument on which this location notice is posted approximately 660 feet in a North direction to the North end line and 1320 feet in a East direction to the East end line.

This claim is marked by four monuments, one at each corner of the claim.

The location monument on which this notice is posted is situated within Section 2, Township 13 N, Range 15 W, Gila Salt River Base and Meridian, Arizona. This claim encompasses portions of the following legal subdivision(s) if located by legal subdivision or the following quarter section (s), section (s), Township (s) and Range (s) N 1/2 of the SW 1/4 of the SE 1/4 of SECTION 2, Twn 13 N, Range 15 W, Mohave County, Gila Salt River Base and Meridian, Arizona.

The locality of this claim with reference to some natural object or permanent monument and additional information (if any) concerning its locality are as follows: 4620' South & 2640' East of the NW corner of Bevo I.

DATED AND POSTED on the ground this 9 day of June, 20 11.

LOCATOR (s) Jubal Caldwell

Jubal Caldwell
230 Cheyenne

Form MCF102
Revised July 2005

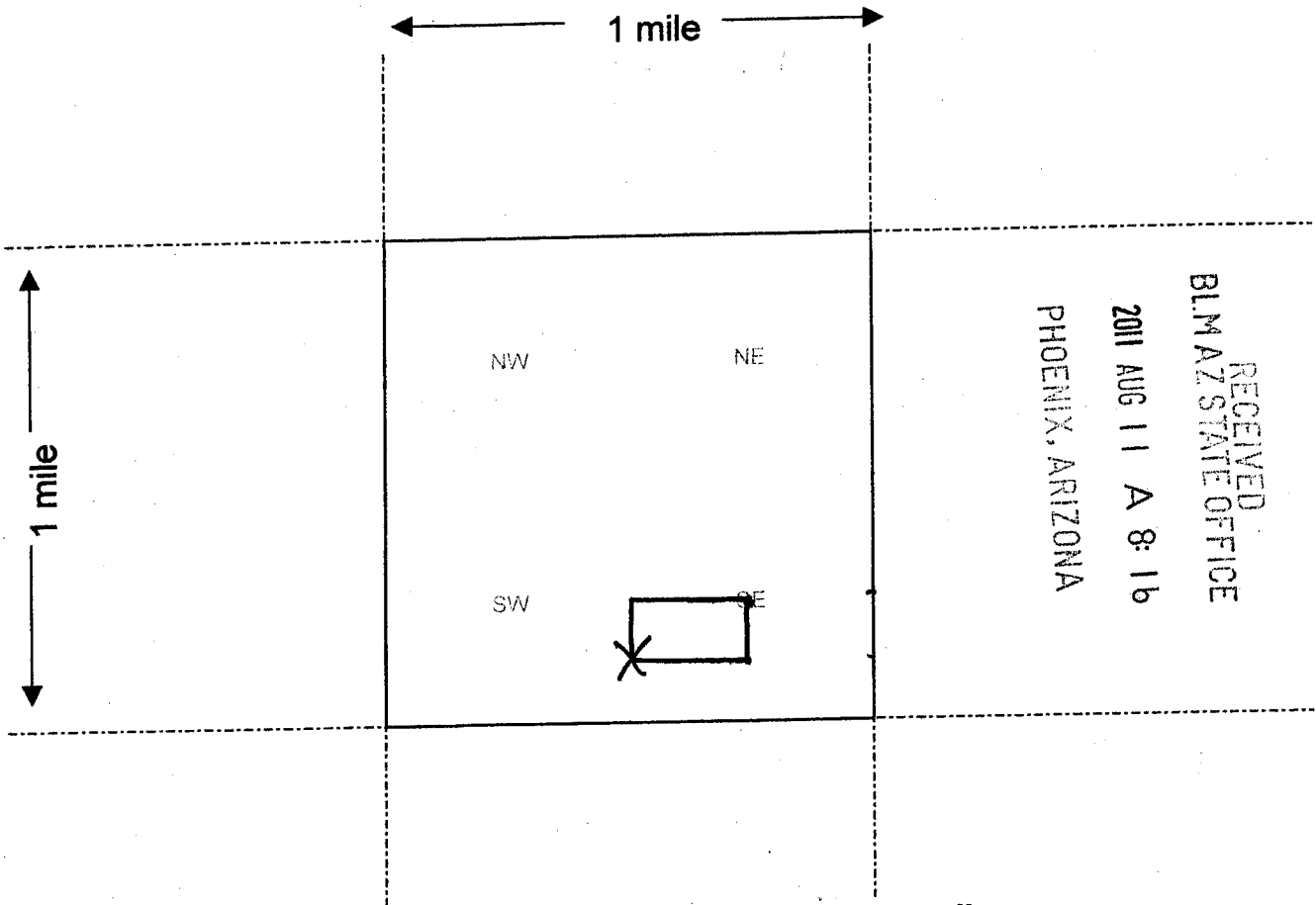
This form is available from the Arizona Department of Mines & Mineral Resources and may be reproduced.

Stephenville, TX 76401

AMC410021

MINING CLAIM MAP

Lode () Placer (X)



Scale : 1" = 2000 feet



1. The above map depicts the UMED-30 mining claim, which is located in Section (s) 2, Township 13 N, Range 15 W, Gila and Salt River Base and Meridian, Mohave County, Arizona.
2. The type of corner and location monuments used are as follows: 5' WOODEN STAKE.
3. The bearings and distances in degrees and feet between claim corners are as depicted on the map.

Form MCF100a
Revised July 2005

This form is available from the Arizona Department of Mines & Mineral Resources and may be reproduced.



FEE# 2011031194

OFFICIAL RECORDS
OF MOHAVE COUNTY
CAROL MEIER,
COUNTY RECORDER



06/13/2011 09:27 AM Fee: \$14.00

PAGE: 1 of 2

LOCATION NOTICE FOR PLACER MINING CLAIM

NOTICE IS HEREBY GIVEN that the UMED. 31
_____ placer mining claim has been located by
UMED Holdings, Inc. whose current mailing
address is 119 Woodstream Ct.
CRESSON, TX 76035

Ret:

RECEIVED
BLM AZ STATE OFFICE
2011 AUG 11 A 8:16
PHOENIX, ARIZONA
BLM
Date
Stamp

The general course of this claim is SE 1/4 of Sec. 2 and it is situated in
Mohave County, Arizona.

This claim is 660 feet in length and 1320 feet in width. This claim runs from the
location monument on which this location notice is posted approximately 660 feet in a North
direction to the North end line and 1320 feet in a East direction to the East end line.

This claim is marked by four monuments, one at each corner of the claim.

The location monument on which this notice is posted is situated within Section 2, Township
13 N, Range 15 W, Gila Salt River Base and Meridian, Arizona. This claim encompasses
portions of the following legal subdivision(s) if located by legal subdivision or the following quarter section (s),
section (s), Township (s) and Range (s) SW 1/4 of the SE 1/4 of the SE 1/4 of Section 2,
Town 13N, Range 15W, Mohave County, Gila Salt River Base and Meridian, Arizona.

ANCL410022

The locality of this claim with reference to some natural object or permanent monument and additional
information (if any) concerning its locality are as follows: 5280' South & 3960' EAST
of the NW corner of BERO I.

DATED AND POSTED on the ground this 9 day of June, 2011.

LOCATOR (s) Jubal Caldwell
Jubal Caldwell
230 Cheyenne

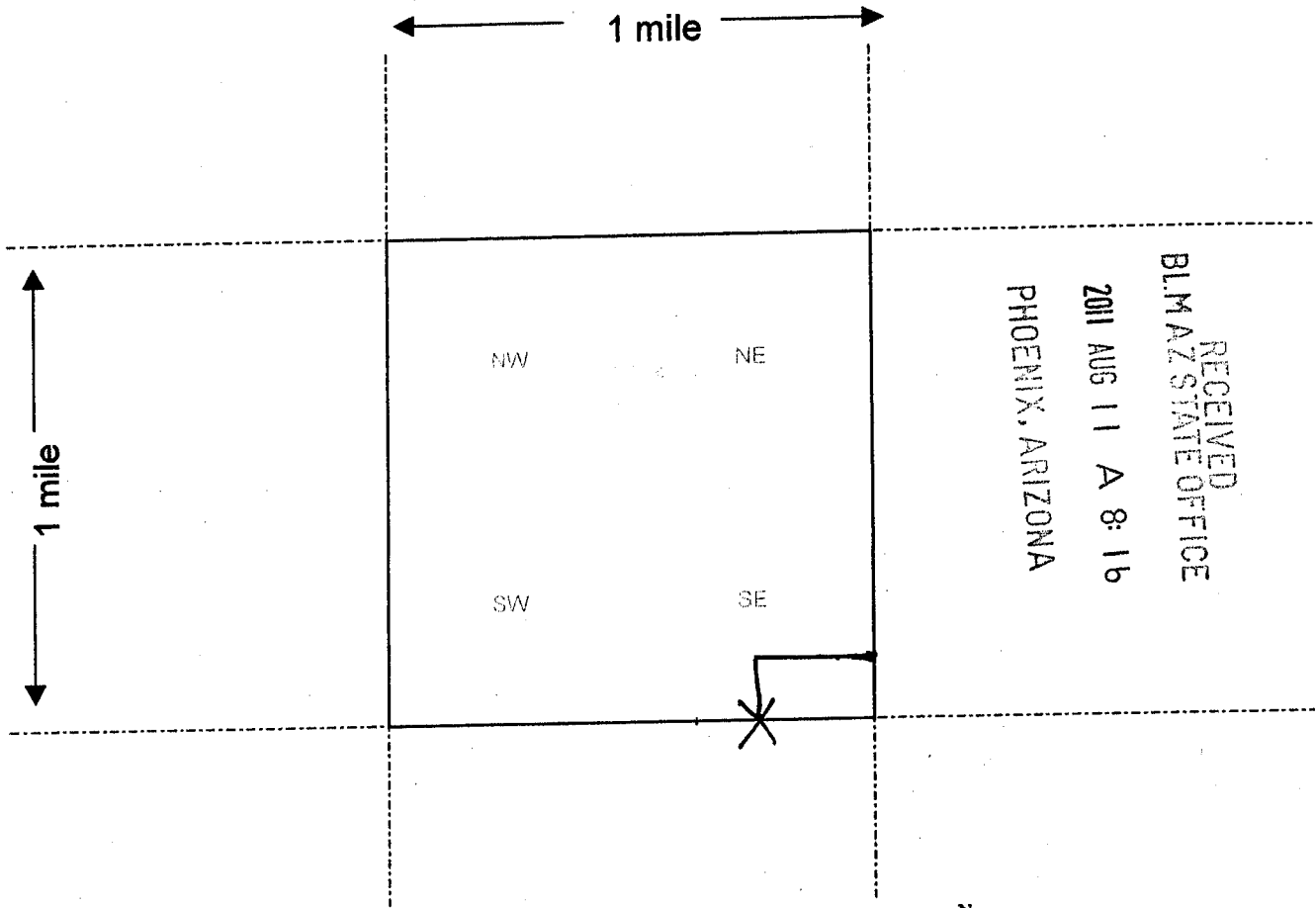
Form MCF102
Revised July 2005

This form is available from the Arizona Department of Mines & Mineral Resources and may be reproduced.

Stephenville, TX 76401

MINING CLAIM MAP

Lode () Placer (X)



Scale : 1" = 2000 feet



1. The above map depicts the UMED.31 mining claim, which is located in Section (s) 2, Township 13 N, Range 15 W, Gila and Salt River Base and Meridian, Mohave County, Arizona.

2. The type of corner and location monuments used are as follows: 5' wooden stake.

3. The bearings and distances in degrees and feet between claim corners are as depicted on the map.

Form MCF100a
Revised July 2005

2

FEE# 2011031195

OFFICIAL RECORDS OF MOHAVE COUNTY CAROL MEIER, COUNTY RECORDER



06/13/2011 09:27 AM Fee: \$14.00

PAGE: 1 of 2

LOCATION NOTICE FOR PLACER MINING CLAIM

NOTICE IS HEREBY GIVEN that the UMED. 32 placer mining claim has been located by UMED Holdings, Inc. whose current mailing address is 119 Woodstream Ct. CRESSON, TX 76035

Ret:

RECEIVED BLM AZ STATE OFFICE 2011 AUG 11 A 8:16 PHOENIX, ARIZONA BLM Date Stamp

The general course of this claim is SE 1/4 of Sec. 2 and it is situated in Mohave County, Arizona.

This claim is 660 feet in length and 1320 feet in width. This claim runs from the location monument on which this location notice is posted approximately 660 feet in a North direction to the North end line and 1320 feet in a East direction to the East end line.

This claim is marked by four monuments, one at each corner of the claim.

The location monument on which this notice is posted is situated within Section 2, Township 13 N, Range 15 W, Gila Salt River Base and Meridian, Arizona. This claim encompasses portions of the following legal subdivision(s) if located by legal subdivision or the following quarter section (s), section (s), Township (s) and Range (s) SE 1/4 of the SW 1/4 of the SE 1/4 of section 2, Twn 13N, Range 15W, Mohave County, Gila Salt River Base and Meridian, Arizona.

The locality of this claim with reference to some natural object or permanent monument and additional information (if any) concerning its locality are as follows: 5280' south & 2640' East of the NW corner of BEVO I.

DATED AND POSTED on the ground this 9 day of June, 2011.

LOCATOR (s) Jubal Caldwell
Jubal Caldwell
230 Cheyenne

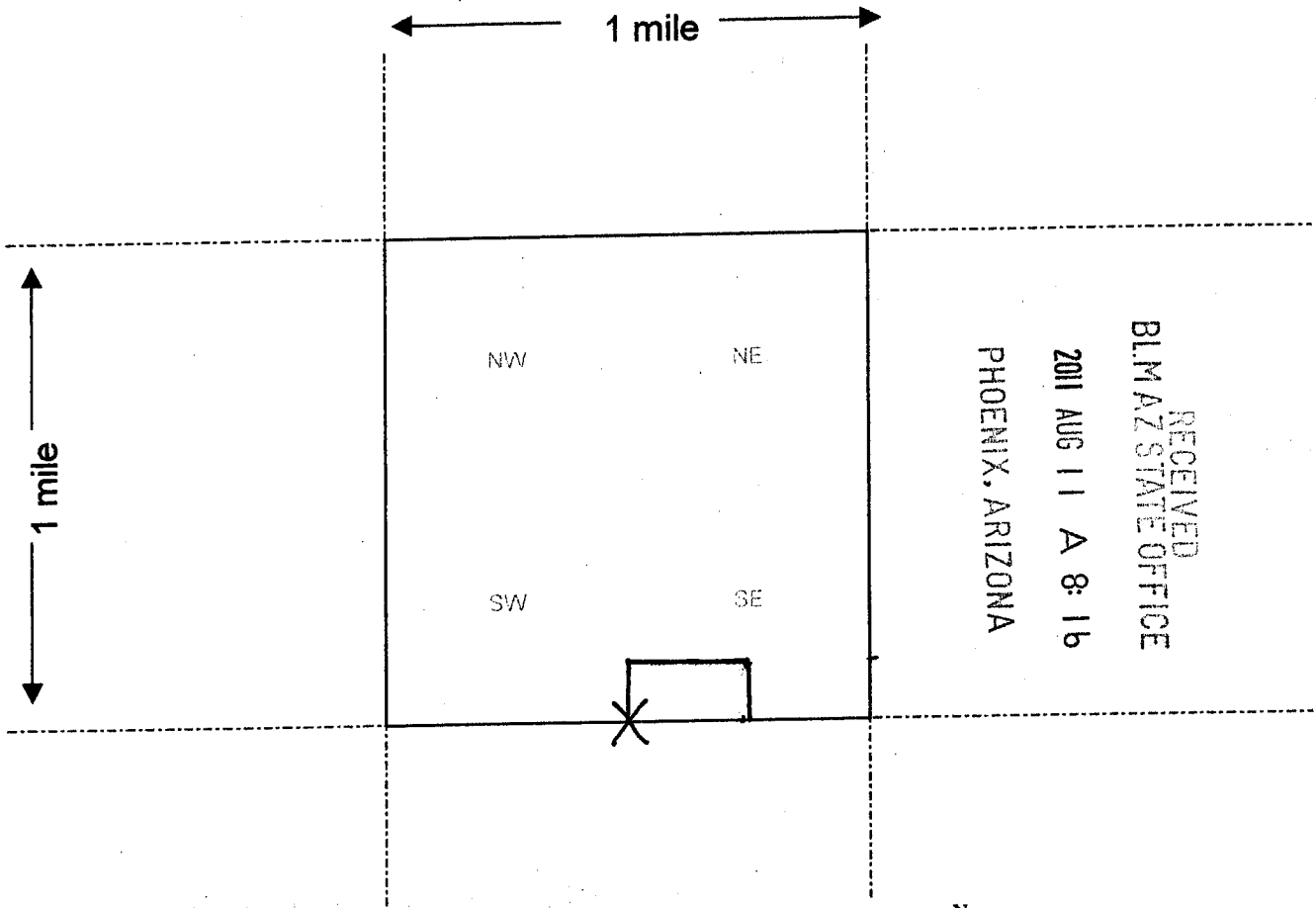
Form MCF102 Revised July 2005

This form is available from the Arizona Department of Mines & Mineral Resources and may be reproduced. Stephenville, TX 76401

ANCH10023

MINING CLAIM MAP

Lode () Placer (X)



RECEIVED
BLM AZ STATE OFFICE
2011 AUG 11 A 8:16
PHOENIX, ARIZONA

Scale : 1" = 2000 feet



1. The above map depicts the UMED-32 mining claim, which is located in Section (s) 2, Township 13 N, Range 15 W, Gila and Salt River Base and Meridian, Mohave County, Arizona.
2. The type of corner and location monuments used are as follows: 5' wooden stake.
3. The bearings and distances in degrees and feet between claim corners are as depicted on the map.

Form MCF100a
Revised July 2005

This form is available from the Arizona Department of Mines & Mineral Resources and may be reproduced.

2



FEE# 2011031196

OFFICIAL RECORDS
OF MOHAVE COUNTY
CAROL MEIER,
COUNTY RECORDER



06/13/2011 09:27 AM Fee: \$14.00

PAGE: 1 of 2

LOCATION NOTICE FOR PLACER MINING CLAIM

NOTICE IS HEREBY GIVEN that the Doug White
_____ placer mining claim has been located by
UMED Holdings, Inc. whose current mailing
address is 119 Woodstream Ct.
CRESSON, TX 76035

Ret.

RECEIVED
BLM AZ STATE OFFICE
2011 AUG 11 A 8:16
PHOENIX, ARIZONA
BLM
Date
Stamp

The general course of this claim is NE 1/4 of Sec. 10 and it is situated in
Mohave County, Arizona.

This claim is 660 feet in length and 1320 feet in width. This claim runs from the
location monument on which this location notice is posted approximately 660 feet in a North
direction to the North end line and 1320 feet in a EAST direction to the EAST end line.
This claim is marked by four monuments, one at each corner of the claim.

The location monument on which this notice is posted is situated within Section 10, Township
13 N, Range 15 W, Gila Salt River Base and Meridian, Arizona. This claim encompasses
portions of the following legal subdivision(s) if located by legal subdivision or the following quarter section (s),
section (s), Township (s) and Range (s) N 1/2 of the NE 1/4 of the NE 1/4 of Section 10,
Twn 13N, Range 15W, Mohave, Gila Salt River Base and Meridian, Arizona.

The locality of this claim with reference to some natural object or permanent monument and additional
information (if any) concerning its locality are as follows: 5940' South & 1320' West
of NW 1/4 of Bevo I.

DATED AND POSTED on the ground this 10 day of JUNE, 2011.

LOCATOR (s) Jubal Caldwell
Jubal Caldwell
230 CHEYENNE

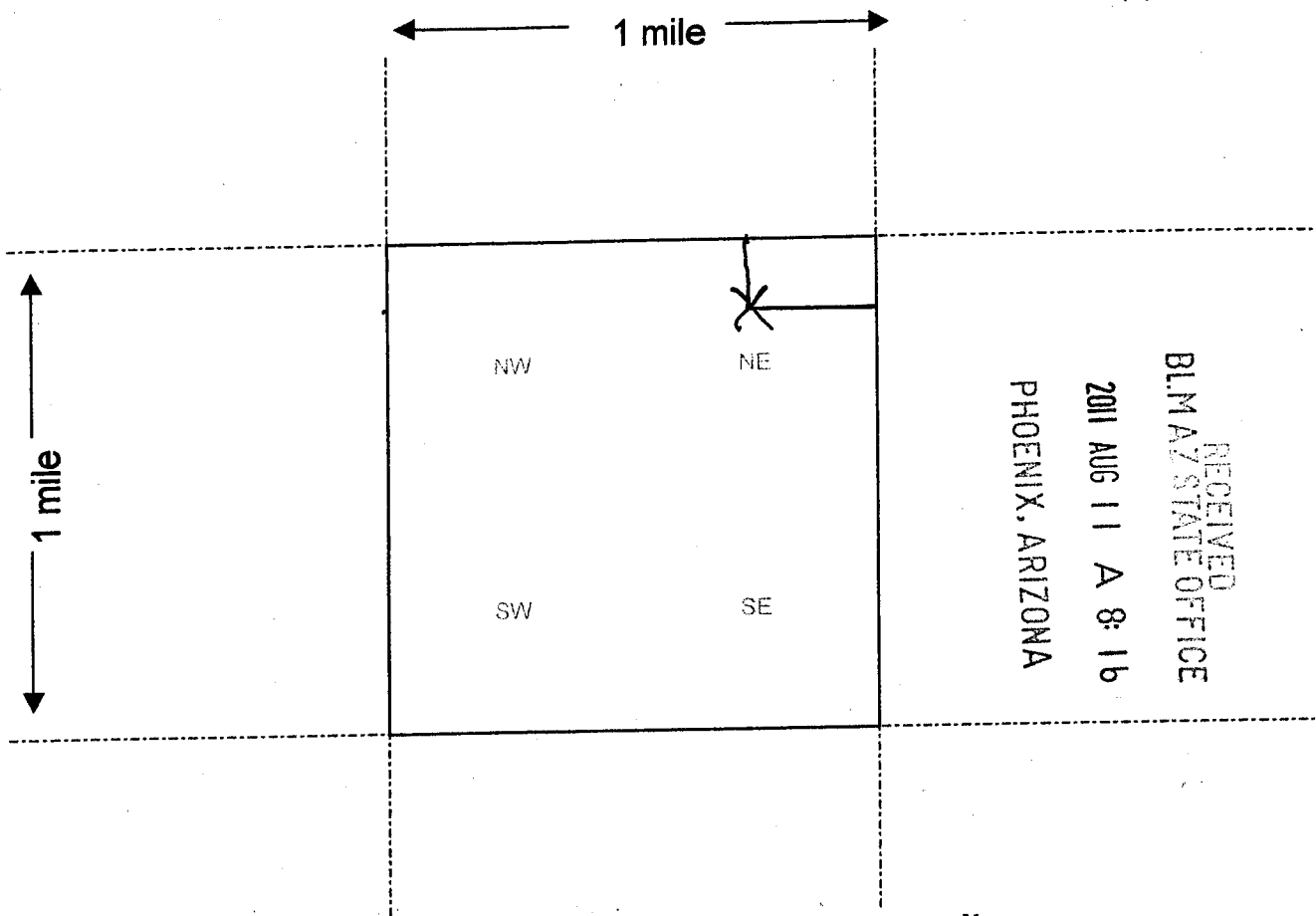
Form MCF102
Revised July 2005

This form is available from the Arizona Department of Mines & Mineral Resources and may be reproduced.
Stephenville, TX 76401

AMC4100214

MINING CLAIM MAP

Lode () Placer (X)



RECEIVED
BLM AZ STATE OFFICE
2011 AUG 11 A 8:16
PHOENIX, ARIZONA

Scale : 1" = 2000 feet



1. The above map depicts the Doug White mining claim, which is located in Section (s) 10, Township 13 N, Range 15 W, Gila and Salt River Base and Meridian, Mohave County, Arizona.
2. The type of corner and location monuments used are as follows: 5' wooden stake.
3. The bearings and distances in degrees and feet between claim corners are as depicted on the map.

Form MCF100a
Revised July 2005

This form is available from the Arizona Department of Mines & Mineral Resources and may be reproduced.

2



FEE# 2011031197

OFFICIAL RECORDS OF MOHAVE COUNTY CAROL MEIER, COUNTY RECORDER



06/13/2011 09:27 AM Fee: \$14.00

PAGE: 1 of 2

LOCATION NOTICE FOR PLACER MINING CLAIM

NOTICE IS HEREBY GIVEN that the UMED.34

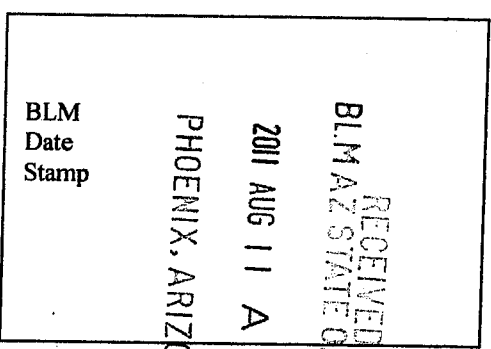
_____ placer mining claim has been located by

UMED Holdings, Inc. whose current mailing

address is 119 Woodstream Ct.

CRESSON, TX 76035

Ret:



The general course of this claim is NE 1/4 of Sec. 10 and it is situated in

Mohave County, Arizona.

This claim is 660 feet in length and 1320 feet in width. This claim runs from the location monument on which this location notice is posted approximately 660 feet in a North direction to the North end line and 1320 feet in a East direction to the East end line.

This claim is marked by four monuments, one at each corner of the claim.

The location monument on which this notice is posted is situated within Section 10, Township 13 N, Range 15 W, Gila Salt River Base and Meridian, Arizona. This claim encompasses portions of the following legal subdivision(s) if located by legal subdivision or the following quarter section (s), section (s), Township (s) and Range (s) N 1/2 of the NW 1/4 of the NE 1/4 of Section 10, Twp 13 N, Range 15 W, Mohave County, Gila Salt River Base and Meridian, Arizona.

ARC410025

The locality of this claim with reference to some natural object or permanent monument and additional information (if any) concerning its locality are as follows: 5940' south & 2640' West of the NW corner of Bevo I.

DATED AND POSTED on the ground this 11 day of June, 2011.

LOCATOR (s) Jubal Caldwell
Jubal Caldwell
230 Cheyenne

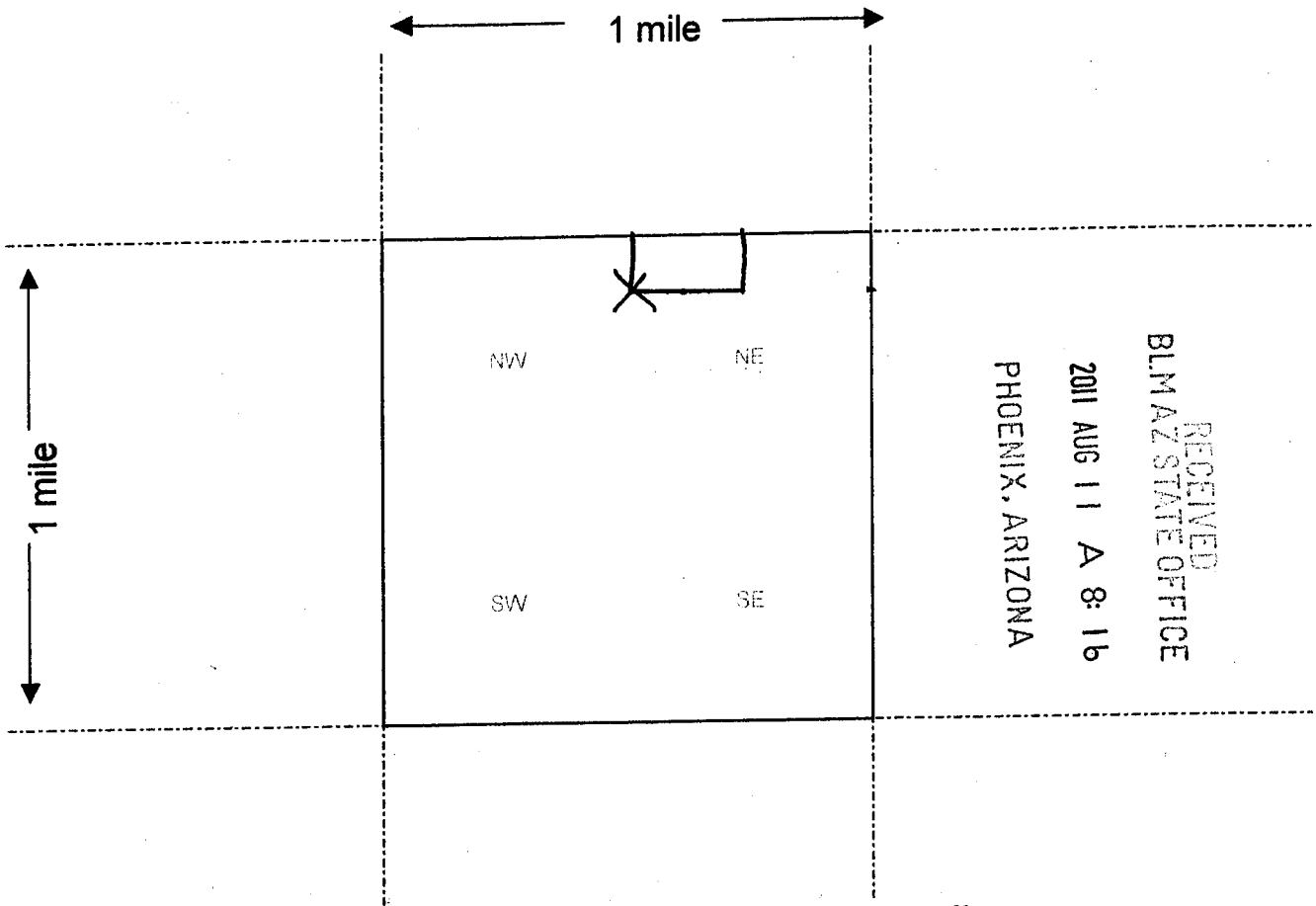
Form MCF102 Revised July 2005

This form is available from the Arizona Department of Mines & Mineral Resources and may be reproduced.

Stephenville, TX 76401

MINING CLAIM MAP

Lode () Placer (X)



RECEIVED
BLM AZ STATE OFFICE
2011 AUG 11 A 8:16
PHOENIX, ARIZONA

Scale : 1" = 2000 feet



1. The above map depicts the UMED. 34 mining claim, which is located in Section (s) 10, Township 13 N, Range 15 W, Gila and Salt River Base and Meridian, Mohave County, Arizona.
2. The type of corner and location monuments used are as follows: 5' wooden stake.
3. The bearings and distances in degrees and feet between claim corners are as depicted on the map.

Form MCF100a
Revised July 2005

This form is available from the Arizona Department of Mines & Mineral Resources and may be reproduced.

2



FEE# 2011031198

OFFICIAL RECORDS OF MOHAVE COUNTY CAROL MEIER, COUNTY RECORDER



06/13/2011 09:27 AM Fee: \$14.00

PAGE: 1 of 2

LOCATION NOTICE FOR PLACER MINING CLAIM

NOTICE IS HEREBY GIVEN that the UMED. 35

_____ placer mining claim has been located by

UMED Holdings, Inc. whose current mailing

address is 119 Woodstream Ct.

CRESSON, TX 76035

Ret:

RECEIVED
BLM AZ STATE OFFICE
2011 AUG 11 A 8:16
PHOENIX, ARIZONA
BLM
Date
Stamp

The general course of this claim is NW 1/4 of SEC. 10 and it is situated in

Mohave County, Arizona.

This claim is 660 feet in length and 1320 feet in width. This claim runs from the

location monument on which this location notice is posted approximately 660 feet in a North direction to the North end line and 1320 feet in a East direction to the East end line.

This claim is marked by four monuments, one at each corner of the claim.

The location monument on which this notice is posted is situated within Section 10, Township

13 N, Range 15 W, Gila Salt River Base and Meridian, Arizona. This claim encompasses

portions of the following legal subdivision(s) if located by legal subdivision or the following quarter section (s),

section (s), Township (s) and Range (s) N 1/2 of the NE 1/4 of the NW 1/4 of SECTION 10,

Town 13 N, Range 15 W, Mohave County, Gila Salt River Base and Meridian, Arizona.

The locality of this claim with reference to some natural object or permanent monument and additional information (if any) concerning its locality are as follows: 5940' south of 3960' WEST of the NW 1/4 of Bevo I.

DATED AND POSTED on the ground this 11 day of June, 2011.

LOCATOR (s) Jubal Caldwell

Jubal Caldwell
230 Cheyenne

Form MCF102
Revised July 2005

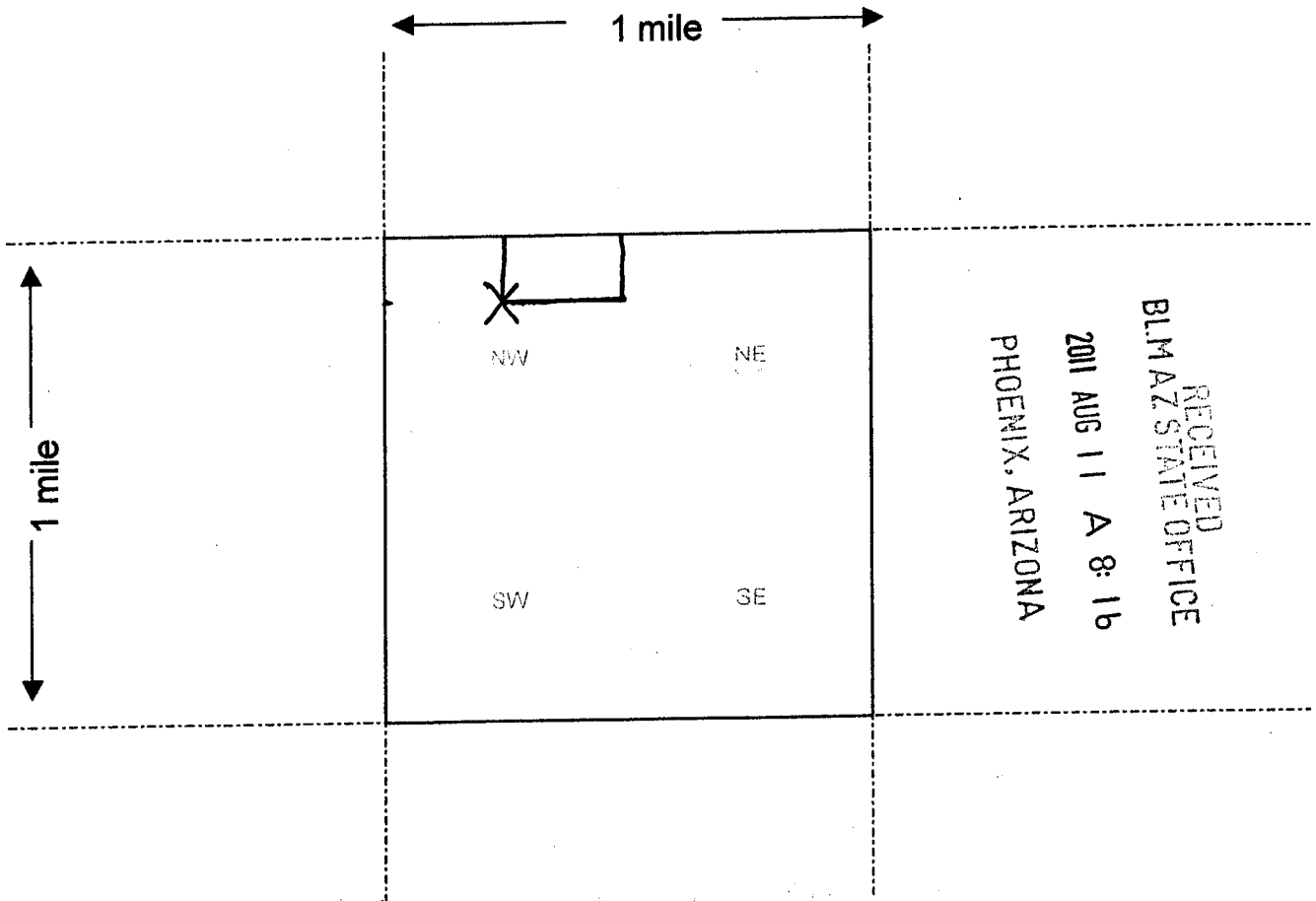
This form is available from the Arizona Department of Mines & Mineral Resources and may be reproduced.

Stephenville, TX 76401

AMC410026

MINING CLAIM MAP

Lode () Placer (X)



Scale : 1" = 2000 feet



1. The above map depicts the UMED.35 mining claim, which is located in Section (s) 10, Township 13 N, Range 15 W, Gila and Salt River Base and Meridian, Mohave County, Arizona.
2. The type of corner and location monuments used are as follows: 5' wooden stake.
3. The bearings and distances in degrees and feet between claim corners are as depicted on the map.

Form MCF100a
Revised July 2005

This form is available from the Arizona Department of Mines & Mineral Resources and may be reproduced.

2



FEE# 2011031199

OFFICIAL RECORDS
OF MOHAVE COUNTY
CAROL MEIER,
COUNTY RECORDER



06/13/2011 09:27 AM Fee: \$14.00

PAGE: 1 of 2

LOCATION NOTICE FOR PLACER MINING CLAIM

NOTICE IS HEREBY GIVEN that the UMED. 36
_____ placer mining claim has been located by
UMED Holdings, Inc. whose current mailing
address is 119 Woodstream Ct.
CRESSON, TX 76035

Ret.

RECEIVED
BLM AZ STATE OFFICE
2011 AUG 11 A 8:16
PHOENIX, ARIZONA
BLM
Date
Stamp

The general course of this claim is NW 1/4 of Sec. 10 and it is situated in
Mohave County, Arizona.

This claim is 660 feet in length and 1320 feet in width. This claim runs from the
location monument on which this location notice is posted approximately 660 feet in a North
direction to the North end line and 1320 feet in a East direction to the East end line.

This claim is marked by four monuments, one at each corner of the claim.

The location monument on which this notice is posted is situated within Section 10, Township
13 N, Range 15 W, Gila Salt River Base and Meridian, Arizona. This claim encompasses
portions of the following legal subdivision(s) if located by legal subdivision or the following quarter section (s),
section (s), Township (s) and Range (s) N 1/2 of the NW 1/4 of the NW 1/4 of Section 10,
Twp 13N, Range 15W, Mohave County, Gila Salt River Base and Meridian, Arizona.

The locality of this claim with reference to some natural object or permanent monument and additional
information (if any) concerning its locality are as follows: 5940' South of 5280' West
of the NW corner of Bevo I.

DATED AND POSTED on the ground this 11 day of June, 2011.

LOCATOR (s) Jubal Caldwell
Jubal Caldwell
230 Cheyenne

Form MCF102
Revised July 2005

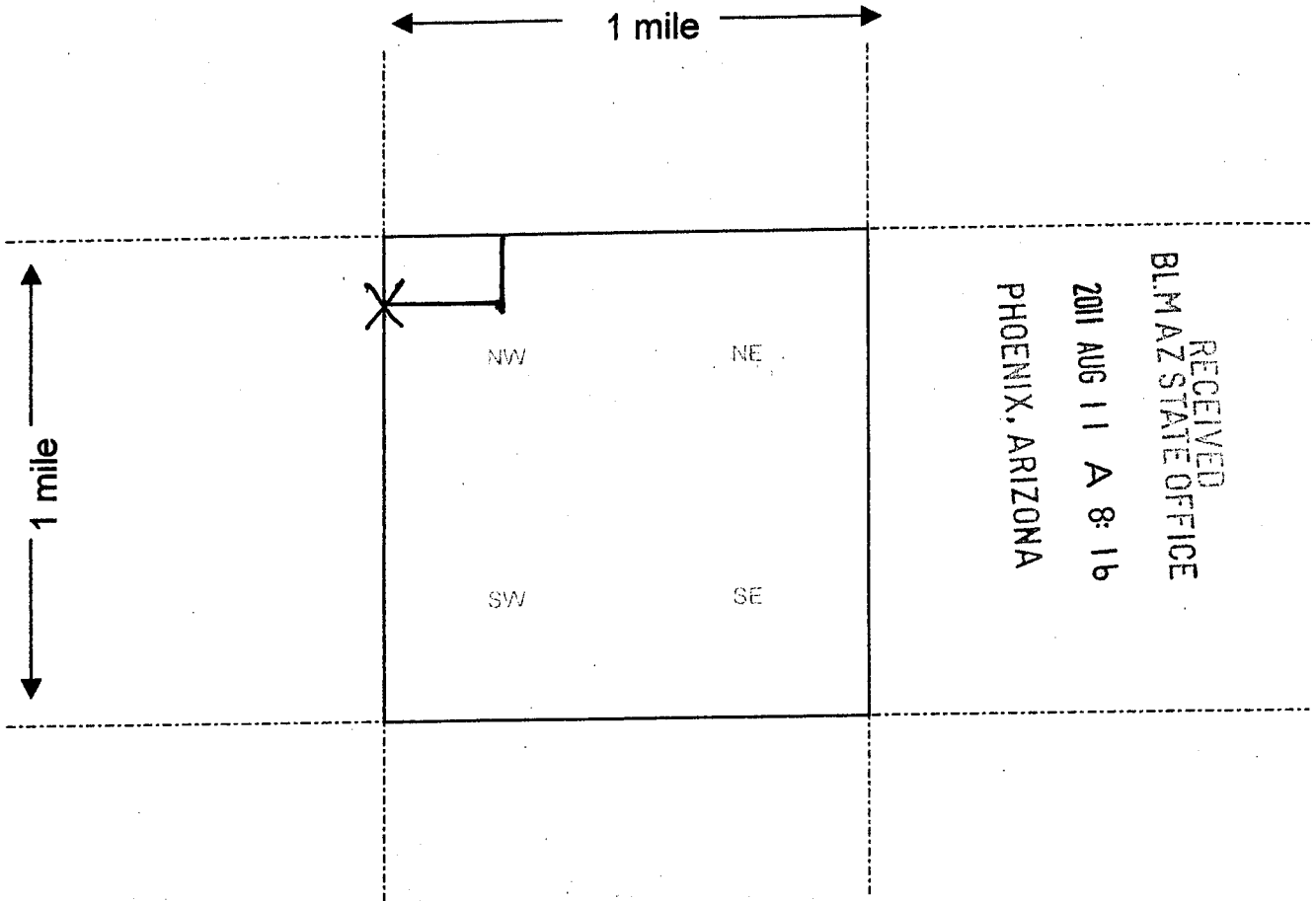
This form is available from the Arizona Department of Mines & Mineral Resources and may be reproduced.

Stephenville, TX 76401

AMC410027

MINING CLAIM MAP

Lode () Placer (X)



RECEIVED
BLM AZ STATE OFFICE
2011 AUG 11 A 8:16
PHOENIX, ARIZONA

Scale: 1" = 2000 feet



1. The above map depicts the UMED-36 mining claim, which is located in Section (s) 10, Township 13 N, Range 15 W, Gila and Salt River Base and Meridian, Mohave County, Arizona.
2. The type of corner and location monuments used are as follows: 5' wooden stake.
3. The bearings and distances in degrees and feet between claim corners are as depicted on the map.

Form MCF100a
Revised July 2005

2



FEE# 2011031200

OFFICIAL RECORDS OF MOHAVE COUNTY CAROL MEIER, COUNTY RECORDER



06/13/2011 09:27 AM Fee: \$14.00

PAGE: 1 of 2

LOCATION NOTICE FOR PLACER MINING CLAIM

NOTICE IS HEREBY GIVEN that the M5.6

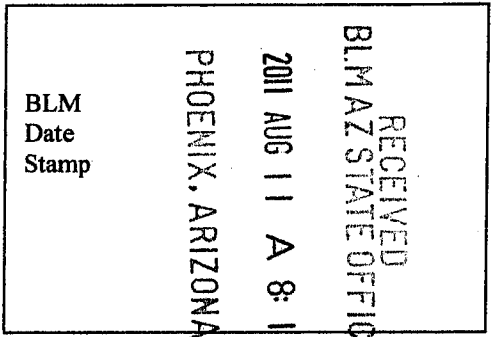
_____ placer mining claim has been located by

UMED Holdings, Inc. whose current mailing

address is 119 Woodstream Ct.

CRESSON, TX 76035

Red:



The general course of this claim is NE 1/4 of Sec. 10 and it is situated in

Mohave County, Arizona.

This claim is 660 feet in length and 1320 feet in width. This claim runs from the location monument on which this location notice is posted approximately 660 feet in a North direction to the North end line and 1320 feet in a East direction to the East end line.

This claim is marked by four monuments, one at each corner of the claim.

The location monument on which this notice is posted is situated within Section 10, Township 13 N, Range 15 W, Gila Salt River Base and Meridian, Arizona. This claim encompasses

portions of the following legal subdivision(s) if located by legal subdivision or the following quarter section (s), section (s), Township (s) and Range (s) 5 1/2 of the NE 1/4 of the NE 1/4 of Section 10, Twn 13 N, Range 15 W, Mohave County, Gila Salt River Base and Meridian, Arizona.

The locality of this claim with reference to some natural object or permanent monument and additional information (if any) concerning its locality are as follows: 660' South & 1320' West of the NW corner of BEVO I.

DATED AND POSTED on the ground this 10 day of June, 2011.

LOCATOR (s) Jubal Caldwell
Jubal Caldwell
230 CHEYENNE

Form MCF102 Revised July 2005

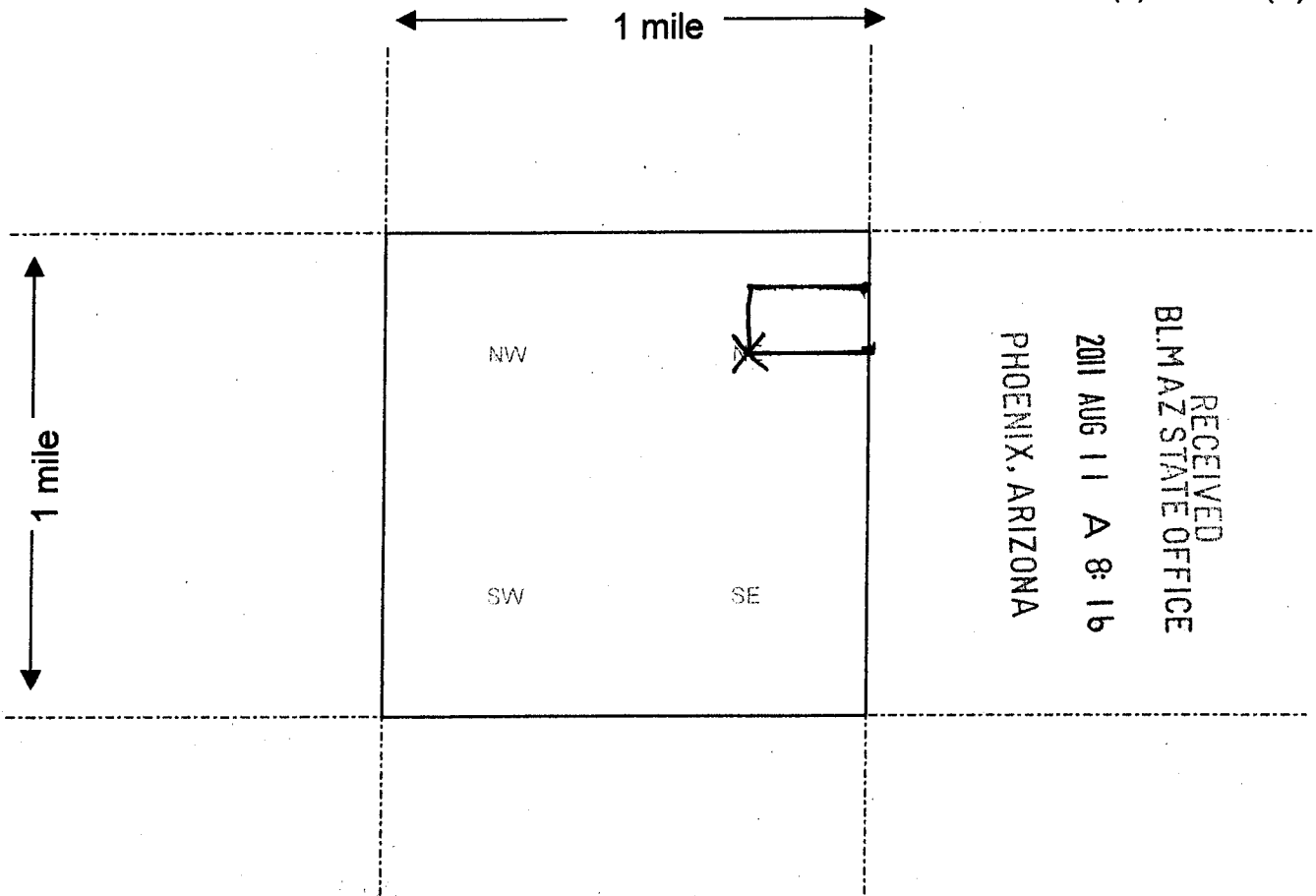
This form is available from the Arizona Department of Mines & Mineral Resources and may be reproduced.

Stephenville, TX 76401

AMC410028

MINING CLAIM MAP

Lode () Placer (X)



Scale : 1" = 2000 feet



1. The above map depicts the M5.6 mining claim, which is located in Section (s) 10, Township 13 N, Range 15 W, Gila and Salt River Base and Meridian, Mohave County, Arizona.
2. The type of corner and location monuments used are as follows: 5' wooden stake.
3. The bearings and distances in degrees and feet between claim corners are as depicted on the map.

Form MCF100a
Revised July 2005

This form is available from the Arizona Department of Mines & Mineral Resources and may be reproduced.

FEE# 2011031201

OFFICIAL RECORDS
OF MOHAVE COUNTY
CAROL MEIER,
COUNTY RECORDER



06/13/2011 09:27 AM Fee: \$14.00

PAGE: 1 of 2

LOCATION NOTICE FOR PLACER MINING CLAIM

NOTICE IS HEREBY GIVEN that the UMED. 38
_____ placer mining claim has been located by
UMED Holdings, Inc. whose current mailing
address is 119 Woodstream Ct.
CRESSON, TX 76035

RECEIVED
BLM AZ STATE OFFICE
2011 AUG 11 A 8:16
PHOENIX, ARIZONA
BLM
Date
Stamp

Red:

The general course of this claim is NE 1/4 of SEC. 10 and it is situated in
Mohave County, Arizona.

This claim is 660 feet in length and 1320 feet in width. This claim runs from the
location monument on which this location notice is posted approximately 660 feet in a North
direction to the North end line and 1320 feet in a EAST direction to the EAST end line.

This claim is marked by four monuments, one at each corner of the claim.

The location monument on which this notice is posted is situated within Section _____, Township
13 N, Range 15 W, Gila Salt River Base and Meridian, Arizona. This claim encompasses
portions of the following legal subdivision(s) if located by legal subdivision or the following quarter section (s),
section (s), Township (s) and Range (s) S 1/2 of the NW 1/4 of the NE 1/4 of SECTION 10,
Town 13N, Range 15W, Mohave County, Gila Salt River Base and Meridian, Arizona.

The locality of this claim with reference to some natural object or permanent monument and additional
information (if any) concerning its locality are as follows: 6600' South & 2640' West
of the NW corner of Bevo I.

DATED AND POSTED on the ground this 10 day of June, 2011.

LOCATOR (s) Jubal Caldwell
Jubal Caldwell
230 Cheyenne

Form MCF102
Revised July 2005

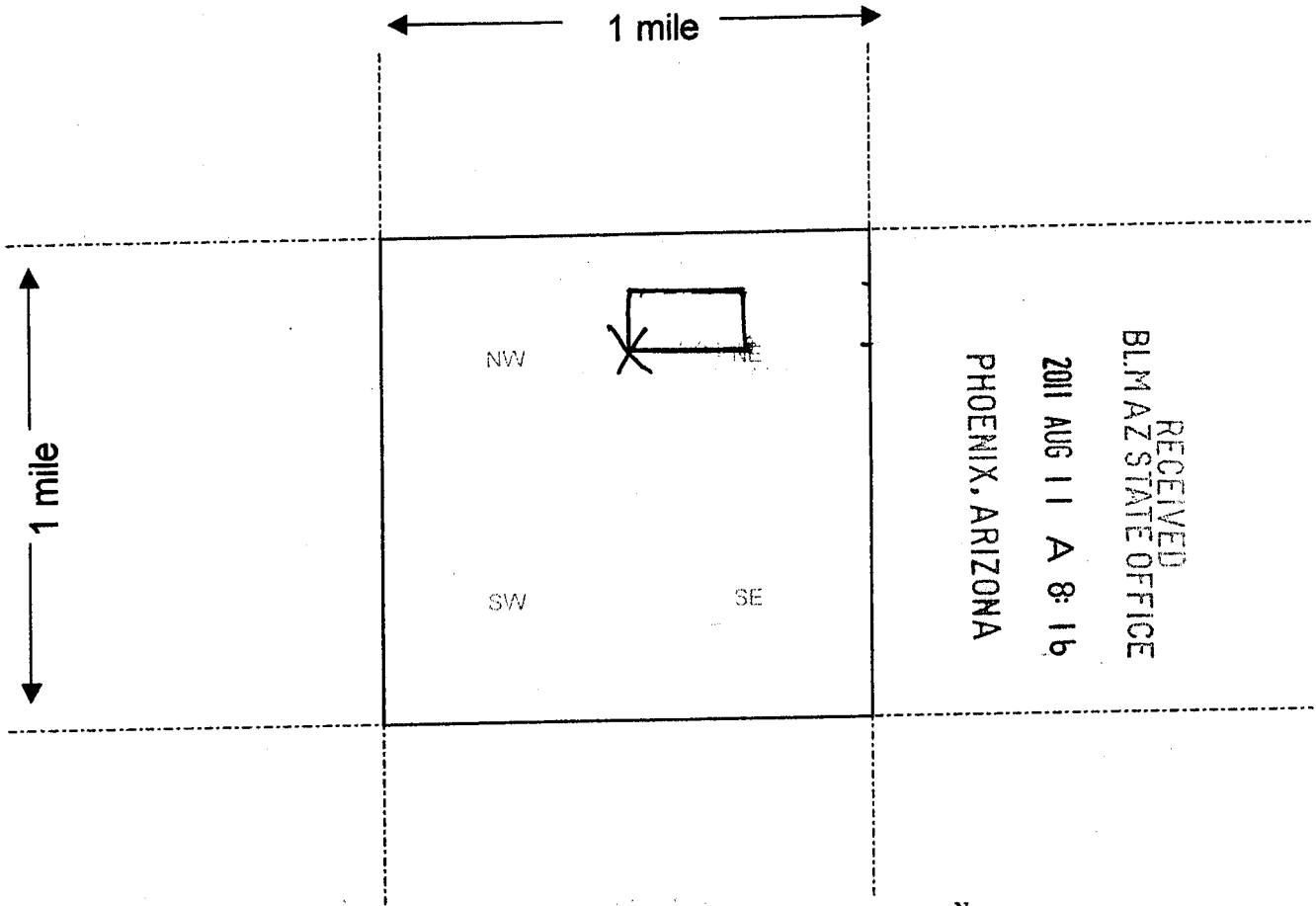
This form is available from the Arizona Department of Mines & Mineral Resources and may be reproduced.

Stephenville, TX 76401

AMC410029

MINING CLAIM MAP

Lode () Placer (X)



RECEIVED
BLM AZ STATE OFFICE
2011 AUG 11 A 8:16
PHOENIX, ARIZONA

Scale: 1" = 2000 feet



1. The above map depicts the UMED-38 mining claim, which is located in Section (s) 10, Township 13 N, Range 15 W, Gila and Salt River Base and Meridian, Mohave County, Arizona.
2. The type of corner and location monuments used are as follows: 5' wooden stake.
3. The bearings and distances in degrees and feet between claim corners are as depicted on the map.

Form MCF100a
Revised July 2005

This form is available from the Arizona Department of Mines & Mineral Resources and may be reproduced.



FEE# 2011031202

OFFICIAL RECORDS OF MOHAVE COUNTY CAROL MEIER, COUNTY RECORDER



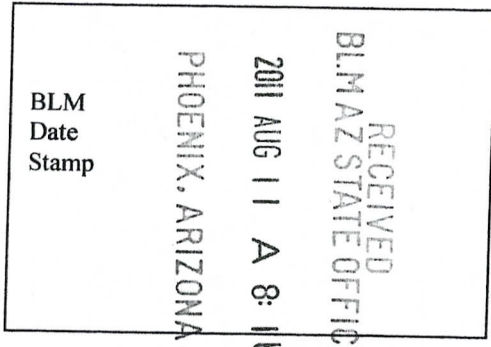
06/13/2011 09:27 AM Fee: \$14.00

PAGE: 1 of 2

LOCATION NOTICE FOR PLACER MINING CLAIM

NOTICE IS HEREBY GIVEN that the UMED.39 placer mining claim has been located by UMED Holdings, Inc. whose current mailing address is 119 Woodstream Ct. CRESSON, TX 76035

Ret.



The general course of this claim is NW 1/4 of Sec. 10 and it is situated in Mohave County, Arizona.

This claim is 660 feet in length and 1320 feet in width. This claim runs from the location monument on which this location notice is posted approximately 660 feet in a North direction to the North end line and 1320 feet in a East direction to the East end line. This claim is marked by four monuments, one at each corner of the claim.

The location monument on which this notice is posted is situated within Section 10, Township 13 N, Range 15 W, Gila Salt River Base and Meridian, Arizona. This claim encompasses portions of the following legal subdivision(s) if located by legal subdivision or the following quarter section (s), section (s), Township (s) and Range (s) S 1/2 of the NE 1/4 of the NW 1/4 of Section 10, Twp 13N, Range 15W, Mohave County, Gila Salt River Base and Meridian, Arizona.

AMC410030

The locality of this claim with reference to some natural object or permanent monument and additional information (if any) concerning its locality are as follows: 6600' South of 3960' West of the NW corner of BEVO I.

DATED AND POSTED on the ground this 11 day of June, 2011.

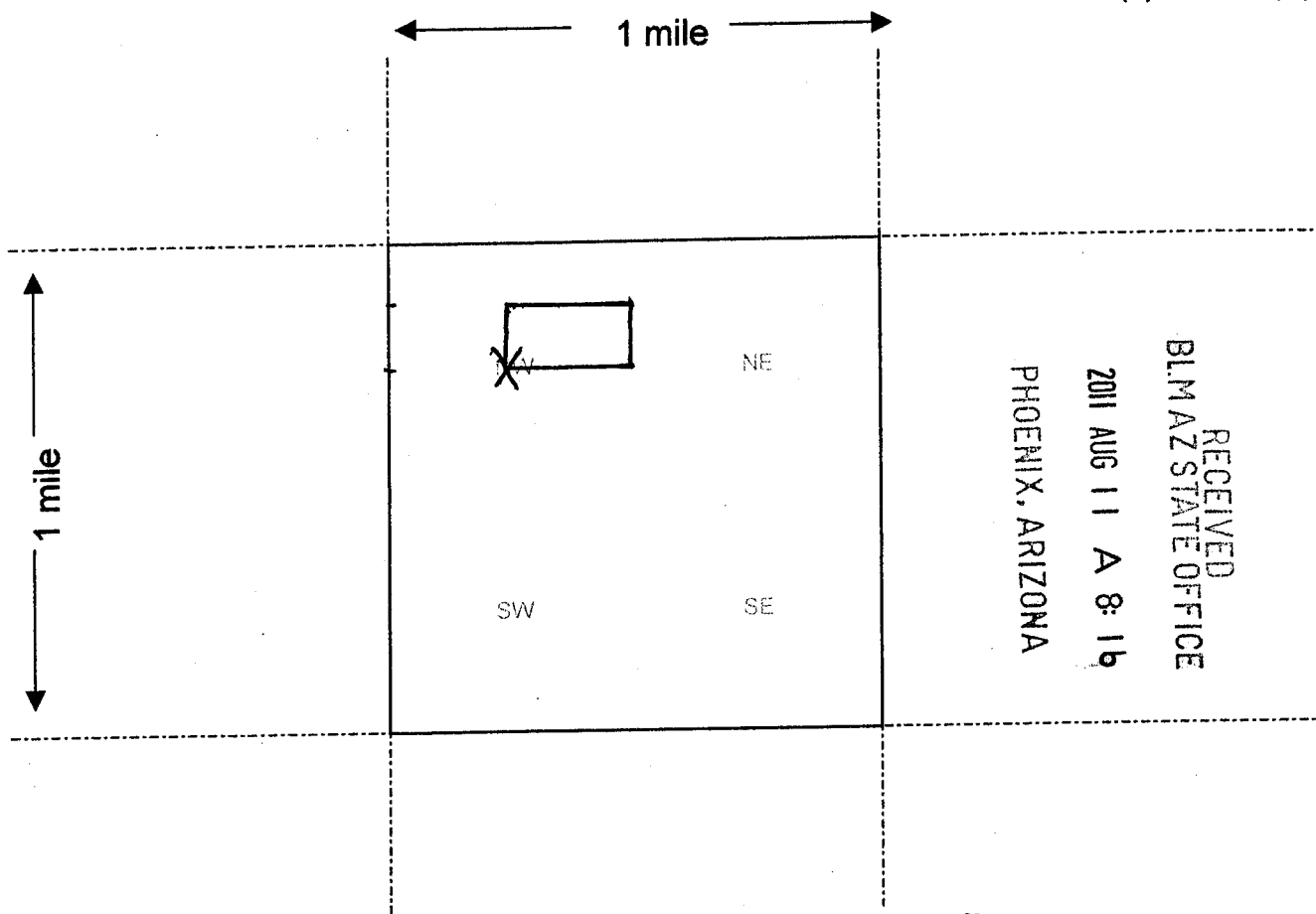
LOCATOR (s) Jubal Caldwell
Jubal Caldwell
230 CHEYENNE

Form MCF102 Revised July 2005

This form is available from the Arizona Department of Mines & Mineral Resources and may be reproduced. Stephenville, TX 76401

MINING CLAIM MAP

Lode () Placer (X)



RECEIVED
BLM AZ STATE OFFICE
2011 AUG 11 A 8:16
PHOENIX, ARIZONA

Scale : 1" = 2000 feet



1. The above map depicts the UMED. 39 mining claim, which is located in Section (s) 10, Township 13 N, Range 15 W, Gila and Salt River Base and Meridian, Mohave County, Arizona.
2. The type of corner and location monuments used are as follows: 5' wooden stake.
3. The bearings and distances in degrees and feet between claim corners are as depicted on the map.

Form MCF100a
Revised July 2005

FEE# 2011031203

OFFICIAL RECORDS
OF MOHAVE COUNTY
CAROL MEIER,
COUNTY RECORDER



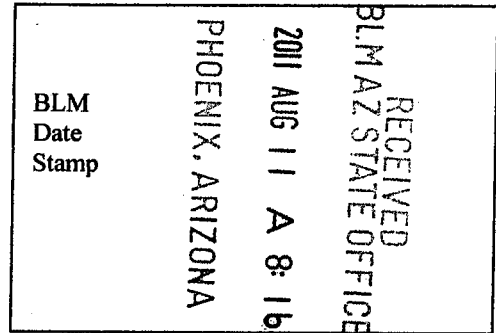
06/13/2011 09:27 AM Fee: \$14.00

PAGE: 1 of 2

LOCATION NOTICE FOR PLACER MINING CLAIM

NOTICE IS HEREBY GIVEN that the UMED. 40
_____ placer mining claim has been located by
UMED Holdings, Inc. whose current mailing
address is 119 Woodstream Ct.
CRESSON, TX 76035

Ret:



The general course of this claim is NW 1/4 of SEC. 10 and it is situated in
Mohave County, Arizona.

This claim is 660 feet in length and 1320 feet in width. This claim runs from the
location monument on which this location notice is posted approximately 660 feet in a North
direction to the North end line and 1320 feet in a East direction to the East end line.
This claim is marked by four monuments, one at each corner of the claim.

AMC410031

The location monument on which this notice is posted is situated within Section 10, Township
13 N, Range 15 W, Gila Salt River Base and Meridian, Arizona. This claim encompasses
portions of the following legal subdivision(s) if located by legal subdivision or the following quarter section (s),
section (s), Township (s) and Range (s) 5 1/2 of the NW 1/4 of the NW 1/4 of SECTION 10,
Twp 13N, Range 15W, Mohave County, Gila Salt River Base and Meridian, Arizona.

The locality of this claim with reference to some natural object or permanent monument and additional
information (if any) concerning its locality are as follows: 6600' South & 5280' West
of the NW corner of BEVO I.

DATED AND POSTED on the ground this 11 day of June, 2011.

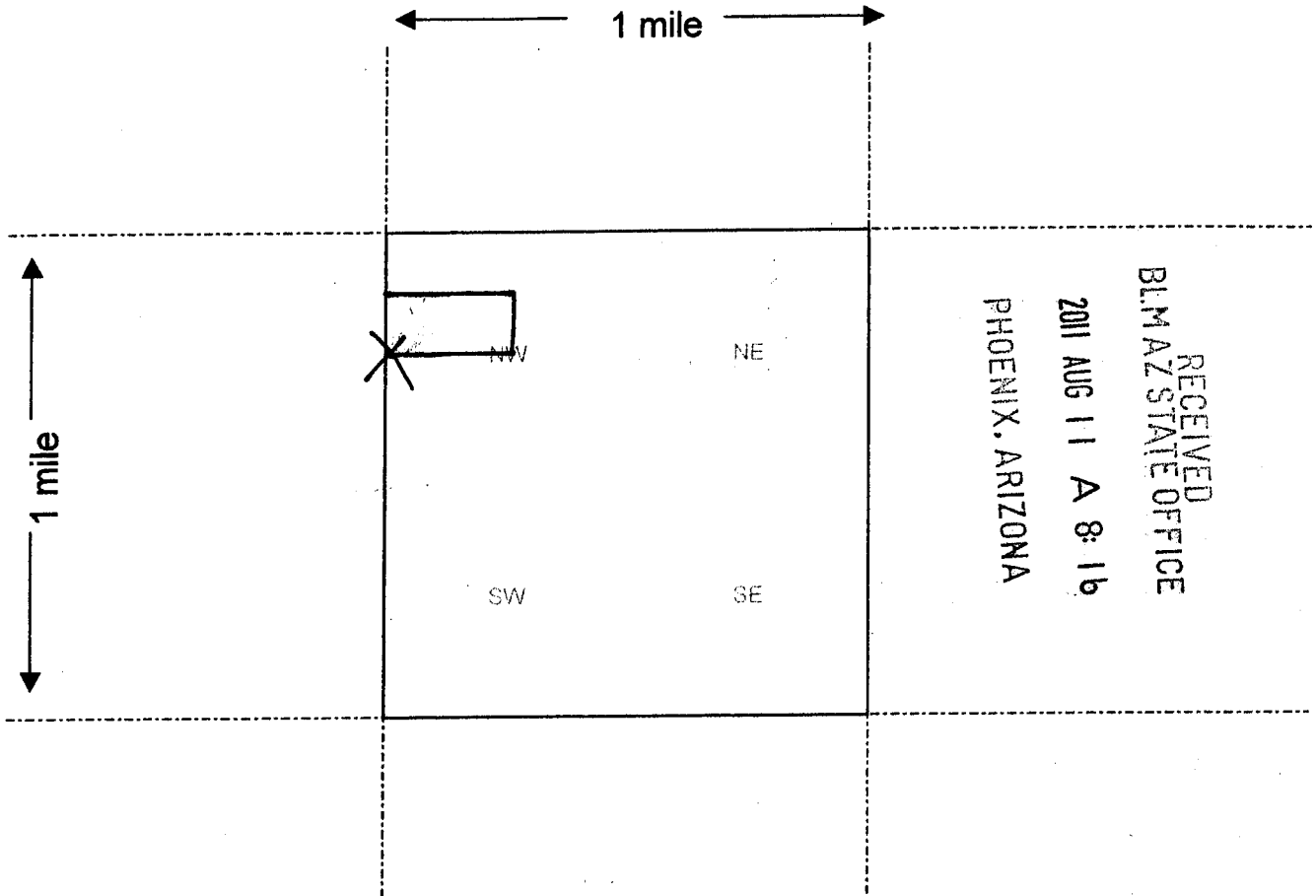
LOCATOR (s) Jubal Caldwell
Jubal Caldwell
230 CHEYENNE

Form MCF102
Revised July 2005

This form is available from the Arizona Department of Mines & Mineral Resources and may be reproduced.
Stephanville, TX 76401

MINING CLAIM MAP

Lode () Placer (X)



Scale : 1" = 2000 feet



1. The above map depicts the UMED. 40 mining claim, which is located in Section (s) 10, Township 13 N, Range 15 W, Gila and Salt River Base and Meridian, Mohave County, Arizona.

2. The type of corner and location monuments used are as follows: 5' wooden stake,

3. The bearings and distances in degrees and feet between claim corners are as depicted on the map.

Form MCF100a
Revised July 2005



FEE# 2011031204

OFFICIAL RECORDS
OF MOHAVE COUNTY
CAROL MEIER,
COUNTY RECORDER



06/13/2011 09:27 AM Fee: \$14.00

PAGE: 1 of 2

LOCATION NOTICE FOR PLACER MINING CLAIM

NOTICE IS HEREBY GIVEN that the UMED. 41

_____ placer mining claim has been located by

UMED Holdings, Inc. whose current mailing

address is 119 Woodstream Ct.

CRESSON, TX 76035

Ret:

RECEIVED
BLM AZ STATE OFFICE
2011 AUG 11 A 8:16
PHOENIX, ARIZONA
BLM
Date
Stamp

The general course of this claim is NE 1/4 of Sec. 10 and it is situated in

Mohave County, Arizona.

This claim is 660 feet in length and 1320 feet in width. This claim runs from the

location monument on which this location notice is posted approximately 660 feet in a North direction to the North end line and 1320 feet in a East direction to the East end line.

This claim is marked by four monuments, one at each corner of the claim.

The location monument on which this notice is posted is situated within Section 10, Township

13 N, Range 15 W, Gila Salt River Base and Meridian, Arizona. This claim encompasses portions of the following legal subdivision(s) if located by legal subdivision or the following quarter section (s),

section (s), Township (s) and Range (s) N 1/2 of the SE 1/4 of the NE 1/4 of Section 10, Twp 13N, Range 15W, Mohave County, Gila Salt River Base and Meridian, Arizona.

The locality of this claim with reference to some natural object or permanent monument and additional information (if any) concerning its locality are as follows: 7260' south of 1320' west of the NW corner of Bovo I.

DATED AND POSTED on the ground this 10 day of June, 2011.

LOCATOR (s) Jubal Caldwell

Jubal Caldwell
230 Cheyenne

Form MCF102
Revised July 2005

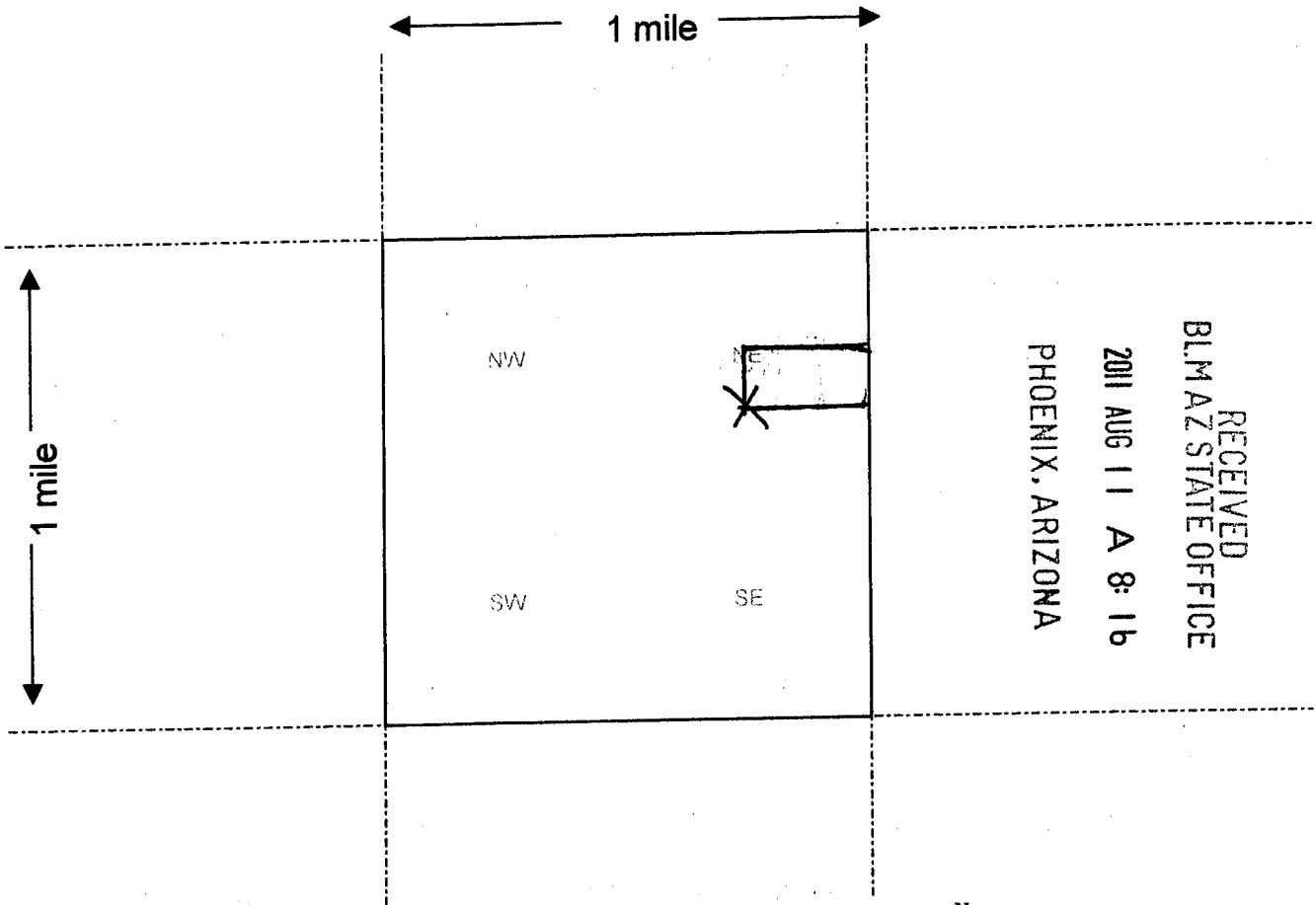
This form is available from the Arizona Department of Mines & Mineral Resources and may be reproduced.

Stephenville, TX 76401

AMC410032

MINING CLAIM MAP

Lode () Placer (X)



Scale: 1" = 2000 feet



1. The above map depicts the UMED. 41 mining claim, which is located in Section (s) 10, Township 13 N, Range 15 W, Gila and Salt River Base and Meridian, Mohave County, Arizona.
2. The type of corner and location monuments used are as follows: 5' wooden stake.
3. The bearings and distances in degrees and feet between claim corners are as depicted on the map.

Form MCF100a
Revised July 2005

This form is available from the Arizona Department of Mines & Mineral Resources and may be reproduced.

2



FEE# 2011031205

OFFICIAL RECORDS
OF MOHAVE COUNTY
CAROL MEIER,
COUNTY RECORDER



06/13/2011 09:27 AM Fee: \$14.00

PAGE: 1 of 2

LOCATION NOTICE FOR PLACER MINING CLAIM

NOTICE IS HEREBY GIVEN that the UMED. 42
_____ placer mining claim has been located by
UMED Holdings, Inc. whose current mailing
address is 119 Woodstream Ct.
CRESSON, TX 76035

Best

RECEIVED
BLM AZ STATE OFFICE
2011 AUG 11 A 8:16
PHOENIX, ARIZONA
BLM
Date
Stamp

The general course of this claim is NE 1/4 of Sec. 10 and it is situated in
Mohave County, Arizona.

This claim is 660 feet in length and 1320 feet in width. This claim runs from the
location monument on which this location notice is posted approximately 660 feet in a North
direction to the North end line and 1320 feet in a East direction to the East end line.
This claim is marked by four monuments, one at each corner of the claim.

AMC410033

The location monument on which this notice is posted is situated within Section 10, Township
13 N, Range 15 W, Gila Salt River Base and Meridian, Arizona. This claim encompasses
portions of the following legal subdivision(s) if located by legal subdivision or the following quarter section (s),
section (s), Township (s) and Range (s) N 1/2 of the SW 1/4 of the NE 1/4 of Section 10,
Twp 13N, Range 15W, Mohave County, Gila Salt River Base and Meridian, Arizona.

The locality of this claim with reference to some natural object or permanent monument and additional
information (if any) concerning its locality are as follows: 7260' South & 2640' West
of the NW corner of Bevo I.

DATED AND POSTED on the ground this 10 day of June, 20 11.

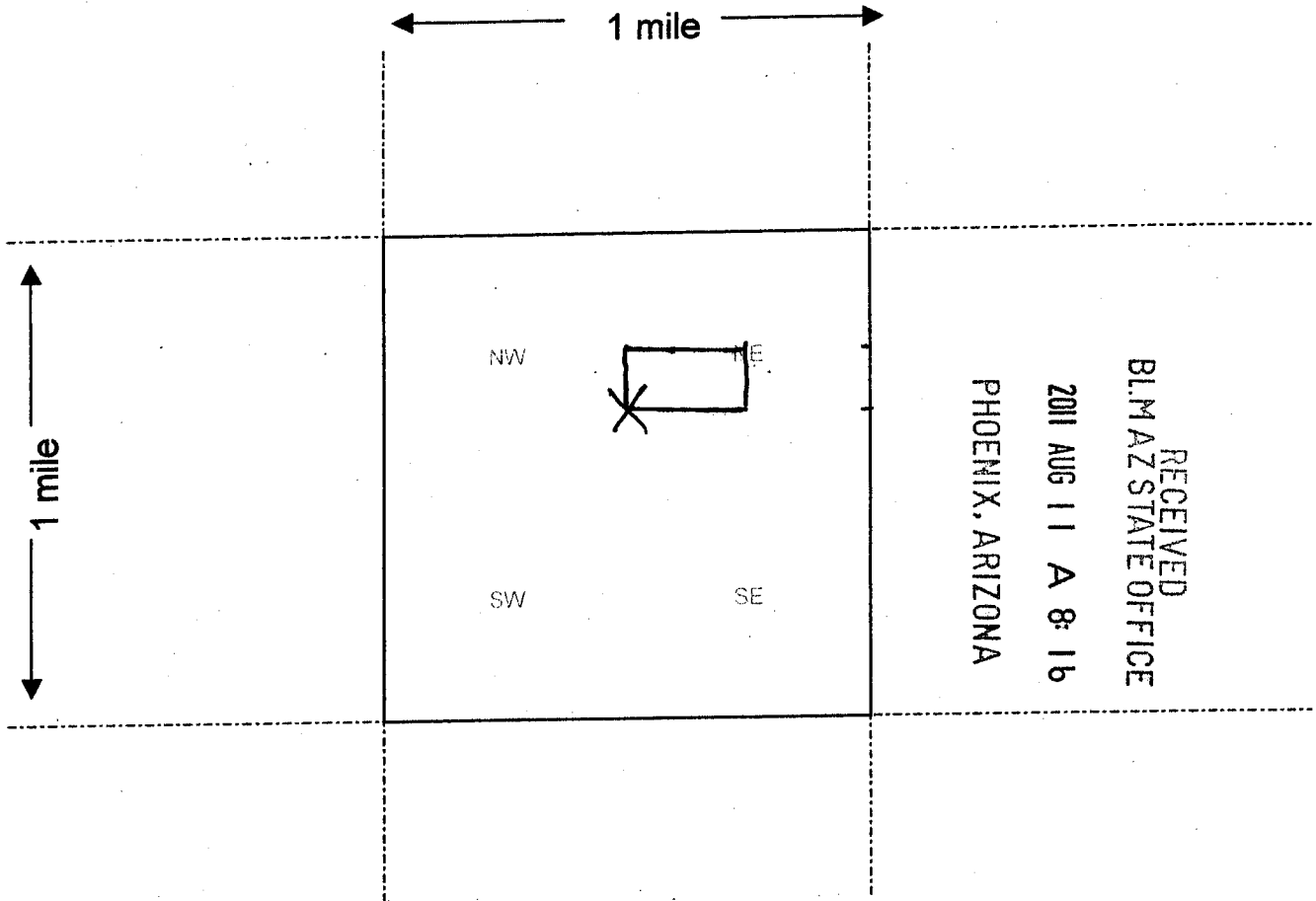
LOCATOR (s) Jubal Caldwell
Jubal Caldwell
230 Cheyenne

Form MCF102
Revised July 2005

This form is available from the Arizona Department of Mines & Mineral Resources and may be reproduced.
Stephanville, TX 76401

MINING CLAIM MAP

Lode () Placer (X)



Scale : 1" = 2000 feet



1. The above map depicts the UMED.42 mining claim, which is located in Section (s) 10, Township 13 N, Range 15 W, Gila and Salt River Base and Meridian, Mohave County, Arizona.

2. The type of corner and location monuments used are as follows: 5' wooden stake.

3. The bearings and distances in degrees and feet between claim corners are as depicted on the map.

Form MCF100a
Revised July 2005



FEE# 2011031206

OFFICIAL RECORDS
OF MOHAVE COUNTY
CAROL MEIER,
COUNTY RECORDER



06/13/2011 09:27 AM Fee: \$14.00

PAGE: 1 of 2

LOCATION NOTICE FOR PLACER MINING CLAIM

NOTICE IS HEREBY GIVEN that the UMED. 43
_____ placer mining claim has been located by
UMED Holdings, Inc. whose current mailing
address is 119 Woodstream Ct.
CRESSON, TX 76035

Ret.

RECEIVED
BLM AZ STATE OFFICE
2011 AUG 11 A 8:16
PHOENIX, ARIZONA
BLM
Date
Stamp

The general course of this claim is NW 1/4 of SEC. 10 and it is situated in
Mohave County, Arizona.

This claim is 660 feet in length and 1320 feet in width. This claim runs from the
location monument on which this location notice is posted approximately 660 feet in a North
direction to the North end line and 1320 feet in a East direction to the East end line.

This claim is marked by four monuments, one at each corner of the claim.

The location monument on which this notice is posted is situated within Section 10, Township
13 N, Range 15 W, Gila Salt River Base and Meridian, Arizona. This claim encompasses
portions of the following legal subdivision(s) if located by legal subdivision or the following quarter section (s),
section (s), Township (s) and Range (s) N 1/2 of the SE 1/4 of the NW 1/4 of SECTION 10,
Town 13 N, Range 15 W, Mohave County, Gila Salt River Base and Meridian, Arizona.

The locality of this claim with reference to some natural object or permanent monument and additional
information (if any) concerning its locality are as follows: 7260' south & 3960' WEST
of the NW corner of BEVO I.

DATED AND POSTED on the ground this 11 day of June, 20 11.

LOCATOR (s) Jubal Caldwell
Jubal Caldwell
230 CHEYENNE

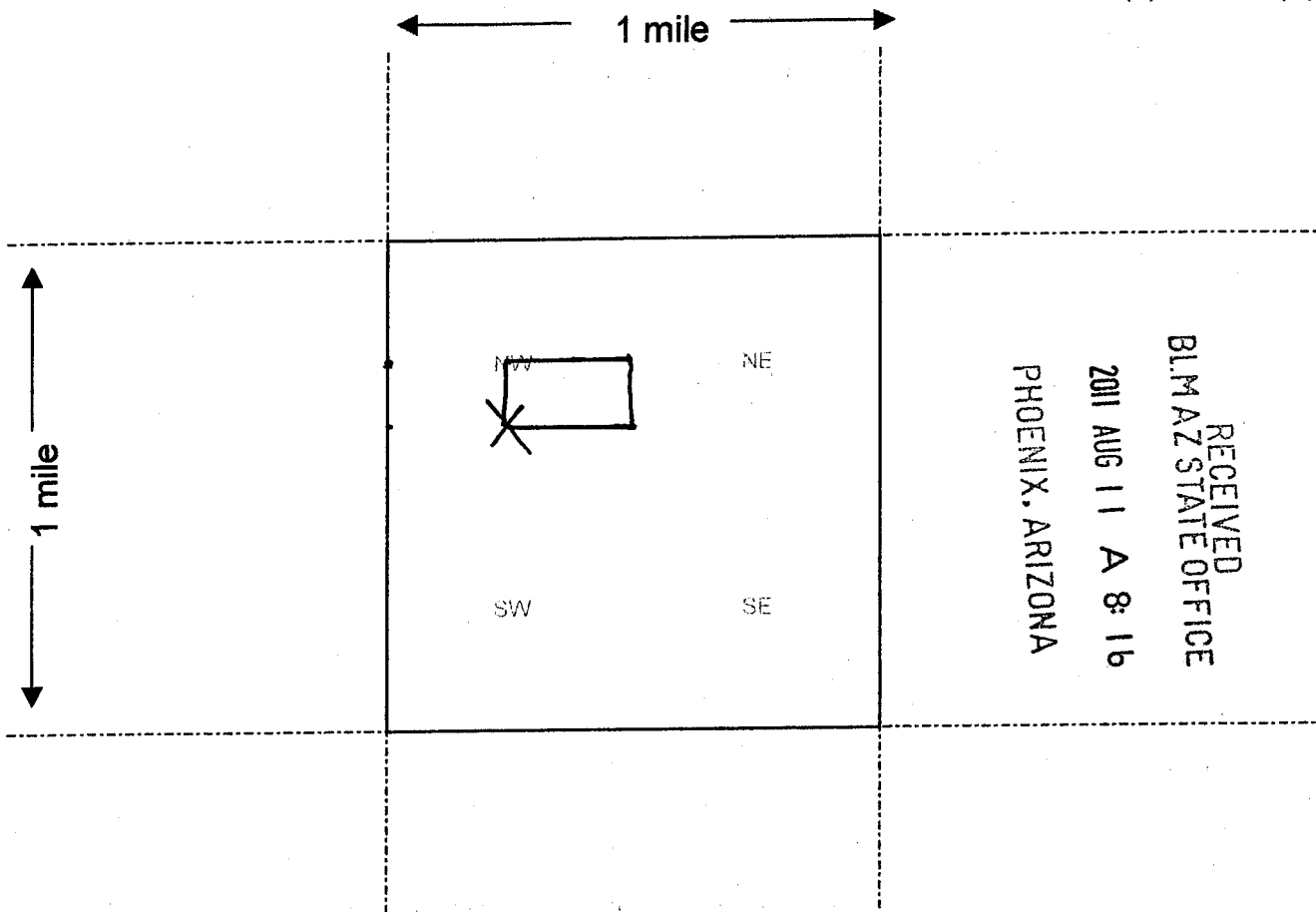
Form MCF102
Revised July 2005

This form is available from the Arizona Department of Mines & Mineral Resources and may be reproduced.
Stephanville, TX 76401

AMC410034

MINING CLAIM MAP

Lode () Placer (X)



RECEIVED
 BLM AZ STATE OFFICE
 2011 AUG 11 A 8:16
 PHOENIX, ARIZONA

Scale : 1" = 2000 feet



1. The above map depicts the UMED. 43 mining claim, which is located in Section (s) 10, Township 13 N, Range 15 W, Gila and Salt River Base and Meridian, Mohave County, Arizona.

2. The type of corner and location monuments used are as follows: 5' wooden stake.

3. The bearings and distances in degrees and feet between claim corners are as depicted on the map.

Form MCF100a
 Revised July 2005

2



FEE# 2011031207

OFFICIAL RECORDS OF MOHAVE COUNTY CAROL MEIER, COUNTY RECORDER



06/13/2011 09:27 AM Fee: \$14.00

PAGE: 1 of 2

LOCATION NOTICE FOR PLACER MINING CLAIM

NOTICE IS HEREBY GIVEN that the UMED. 44

_____ placer mining claim has been located by

UMED Holdings, Inc. whose current mailing

address is 119 Woodstream Ct.

CRESSON, TX 76035

Ret:

RECEIVED
BLM AZ STATE OFFICE
2011 AUG 11 A 8:17
PHOENIX, ARIZONA
BLM
Date
Stamp

The general course of this claim is NW 1/4 of SEC. 10 and it is situated in

Mohave County, Arizona.

This claim is 660 feet in length and 1320 feet in width. This claim runs from the location monument on which this location notice is posted approximately 660 feet in a North direction to the North end line and 1320 feet in a East direction to the East end line.

This claim is marked by four monuments, one at each corner of the claim.

The location monument on which this notice is posted is situated within Section 10, Township 13 N, Range 15 W, Gila Salt River Base and Meridian, Arizona. This claim encompasses portions of the following legal subdivision(s) if located by legal subdivision or the following quarter section (s), section (s), Township (s) and Range (s) N 1/2 of the SW 1/4 of the NW 1/4 of SECTION 10, Twp 13 N, Range 15 W, Mohave County, Gila Salt River Base and Meridian, Arizona.

The locality of this claim with reference to some natural object or permanent monument and additional information (if any) concerning its locality are as follows: 7260' south & 5280' West of the NW corner of Bevo I.

DATED AND POSTED on the ground this 11 day of June, 2011.

LOCATOR (s) Jubal Caldwell

Jubal Caldwell
230 CHEYENNE

Form MCF102
Revised July 2005

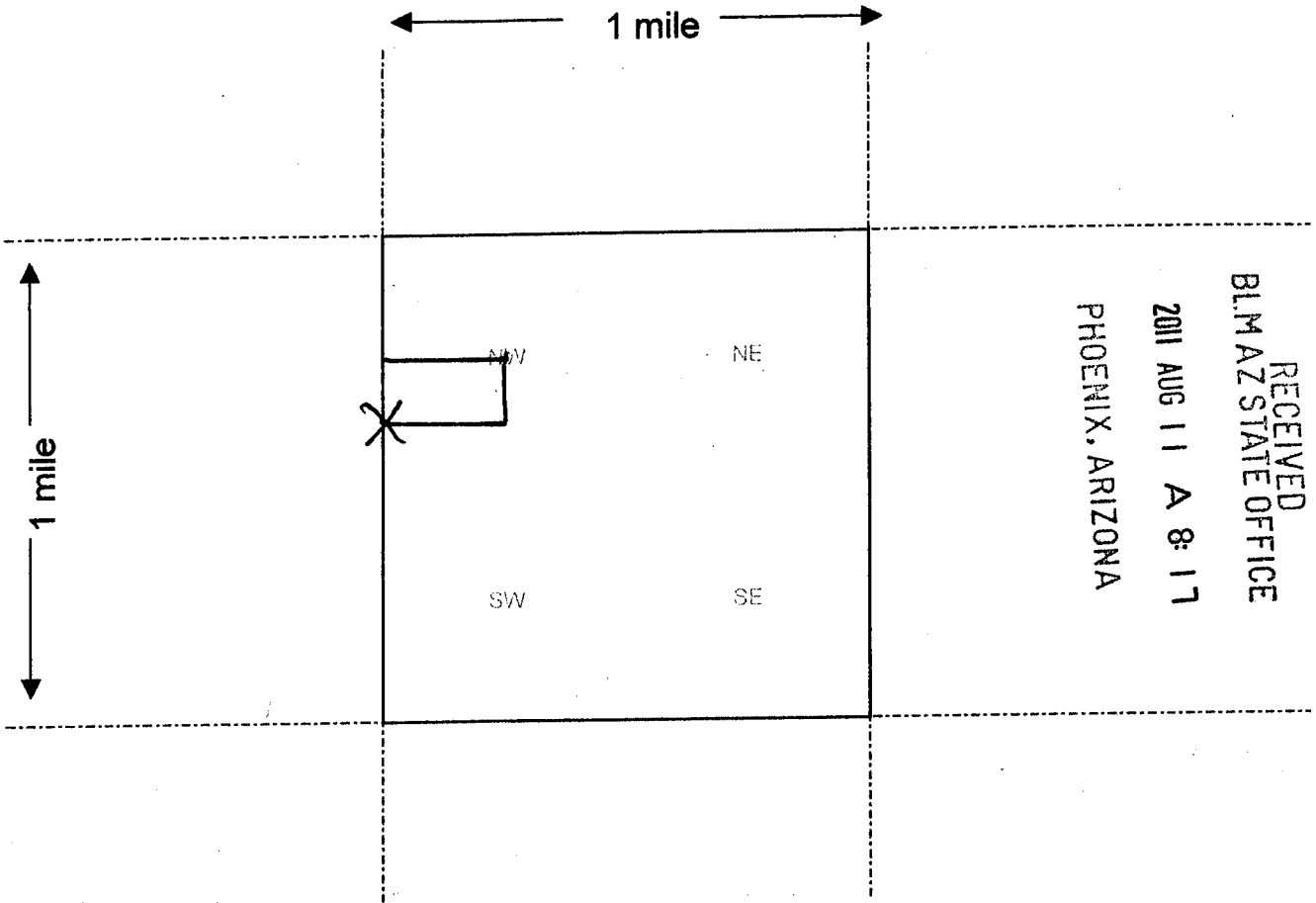
This form is available from the Arizona Department of Mines & Mineral Resources and may be reproduced.

Stephanville, TX 76401

AMC410035

MINING CLAIM MAP

Lode () Placer (X)



RECEIVED
BLM AZ STATE OFFICE
2011 AUG 11 A 8:17
PHOENIX, ARIZONA

Scale : 1" = 2000 feet



1. The above map depicts the UM ED. 44 mining claim, which is located in Section (s) 10, Township 13 N, Range 15 W, Gila and Salt River Base and Meridian, Mohave County, Arizona.

2. The type of corner and location monuments used are as follows: 5' wooden stake,

3. The bearings and distances in degrees and feet between claim corners are as depicted on the map.

Form MCF100a
Revised July 2005

2



FEE# 2011031208

OFFICIAL RECORDS
OF MOHAVE COUNTY
CAROL MEIER,
COUNTY RECORDER



06/13/2011 09:27 AM Fee: \$14.00

PAGE: 1 of 2

LOCATION NOTICE FOR PLACER MINING CLAIM

NOTICE IS HEREBY GIVEN that the UMED.45

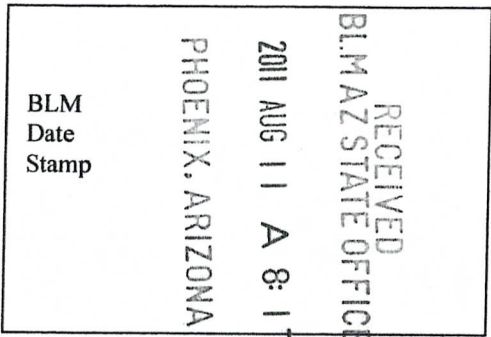
_____ placer mining claim has been located by

UMED Holdings, Inc. whose current mailing

address is 119 Woodstream Ct.

CRESSON, TX 76035

Ret.



The general course of this claim is NE 1/4 of Sec. 10 and it is situated in

Mohave County, Arizona.

This claim is 660 feet in length and 1320 feet in width. This claim runs from the

location monument on which this location notice is posted approximately 660 feet in a North direction to the North end line and 1320 feet in a East direction to the East end line.

This claim is marked by four monuments, one at each corner of the claim.

The location monument on which this notice is posted is situated within Section 10, Township

13 N, Range 15 W, Gila Salt River Base and Meridian, Arizona. This claim encompasses portions of the following legal subdivision(s) if located by legal subdivision or the following quarter section (s), section (s), Township (s) and Range (s) S 1/2 of the SE 1/4 of the NE 1/4 of SECTION 10,

TWN 13N, Range 15W, Mohave County, Gila Salt River Base and Meridian, Arizona.

The locality of this claim with reference to some natural object or permanent monument and additional

information (if any) concerning its locality are as follows: 7920' South of 1320' West of the NW corner of BEVO I.

DATED AND POSTED on the ground this 10 day of June, 2011.

LOCATOR (s) Jubal Caldwell

Jubal Caldwell
230 CHEYENNE

Form MCF102
Revised July 2005

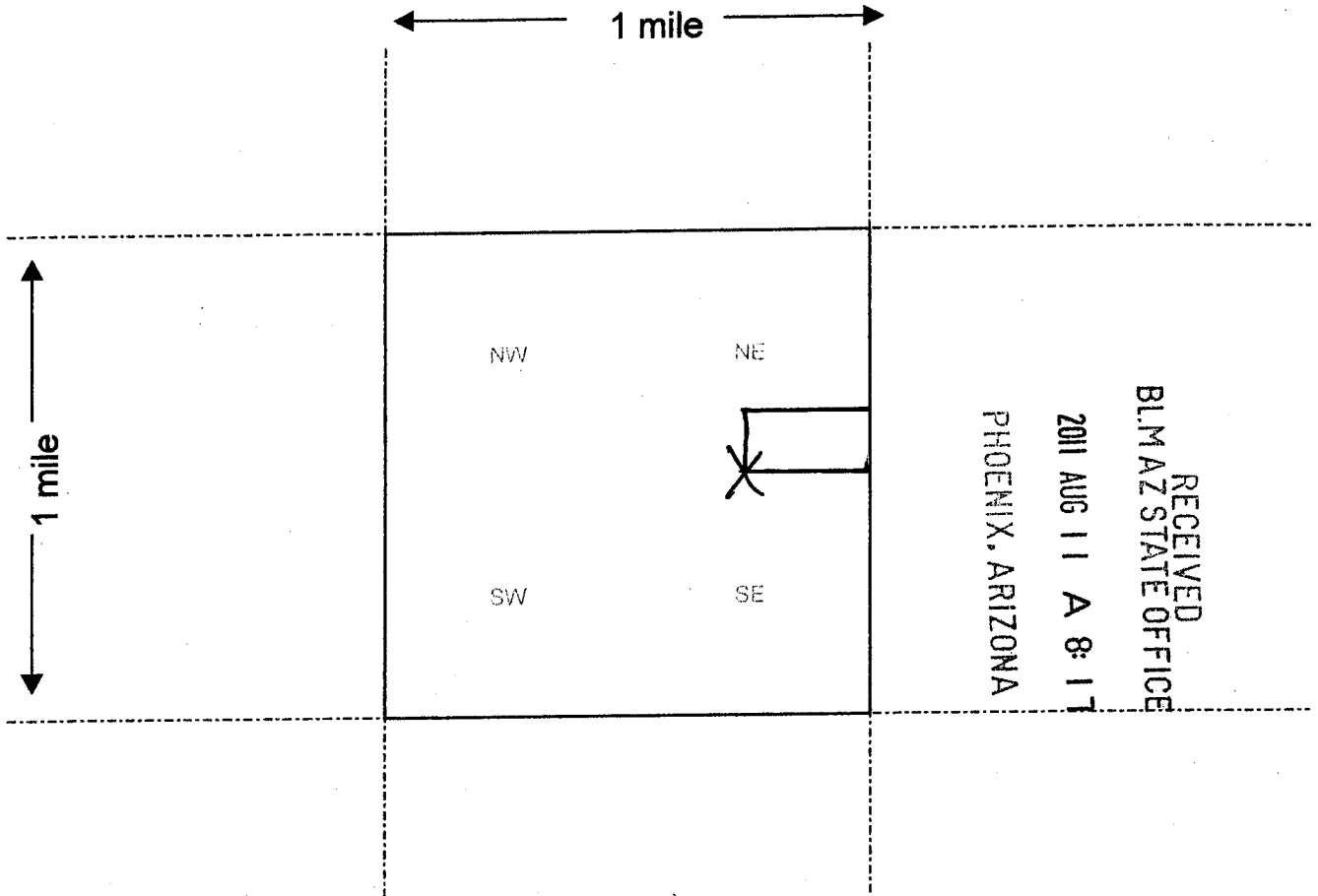
This form is available from the Arizona Department of Mines & Mineral Resources and may be reproduced.

Stephanville, TX 76401

AMC410036

MINING CLAIM MAP

Lode () Placer (X)



Scale : 1" = 2000 feet



1. The above map depicts the UMED. 45 mining claim, which is located in Section (s)

10 , Township 13 N , Range 15 W , Gila and Salt River Base and Meridian, Mohave County, Arizona.

2. The type of corner and location monuments used are as follows: 5' wooden Stake

3. The bearings and distances in degrees and feet between claim corners are as depicted on the map.

Form MCF100a
Revised July 2005

2



FEE# 2011031209

OFFICIAL RECORDS
OF MOHAVE COUNTY
CAROL MEIER,
COUNTY RECORDER



06/13/2011 09:27 AM Fee: \$14.00

PAGE: 1 of 2

LOCATION NOTICE FOR PLACER MINING CLAIM

NOTICE IS HEREBY GIVEN that the UMED. 46
_____ placer mining claim has been located by
UMED Holdings, Inc. whose current mailing
address is 119 Woodstream Ct.
CRESSON, TX 76035

Ref:

RECEIVED
BLM AZ STATE OFFICE
2011 AUG 11 A 8:17
PHOENIX, ARIZONA
BLM
Date
Stamp

The general course of this claim is NE 1/4 of SEC. 10 and it is situated in 17
Mohave County, Arizona.

This claim is 660 feet in length and 1320 feet in width. This claim runs from the
location monument on which this location notice is posted approximately 660 feet in a North
direction to the North end line and 1320 feet in a East direction to the East end line.

This claim is marked by four monuments, one at each corner of the claim.

The location monument on which this notice is posted is situated within Section 10, Township
13 N, Range 15 W, Gila Salt River Base and Meridian, Arizona. This claim encompasses
portions of the following legal subdivision(s) if located by legal subdivision or the following quarter section (s),
section (s), Township (s) and Range (s) 1/2 of the SW 1/4 of the NE 1/4 of Section 10,
Twp 13 N, Range 15 W, Mohave County, Gila Salt River Base and Meridian, Arizona.

The locality of this claim with reference to some natural object or permanent monument and additional
information (if any) concerning its locality are as follows: 7920' south & 2640' West
of the NW corner of BEVO I.

DATED AND POSTED on the ground this 10 day of June, 2011.

LOCATOR (s) Jubal Caldwell
Jubal Caldwell
230 CHEYENNE

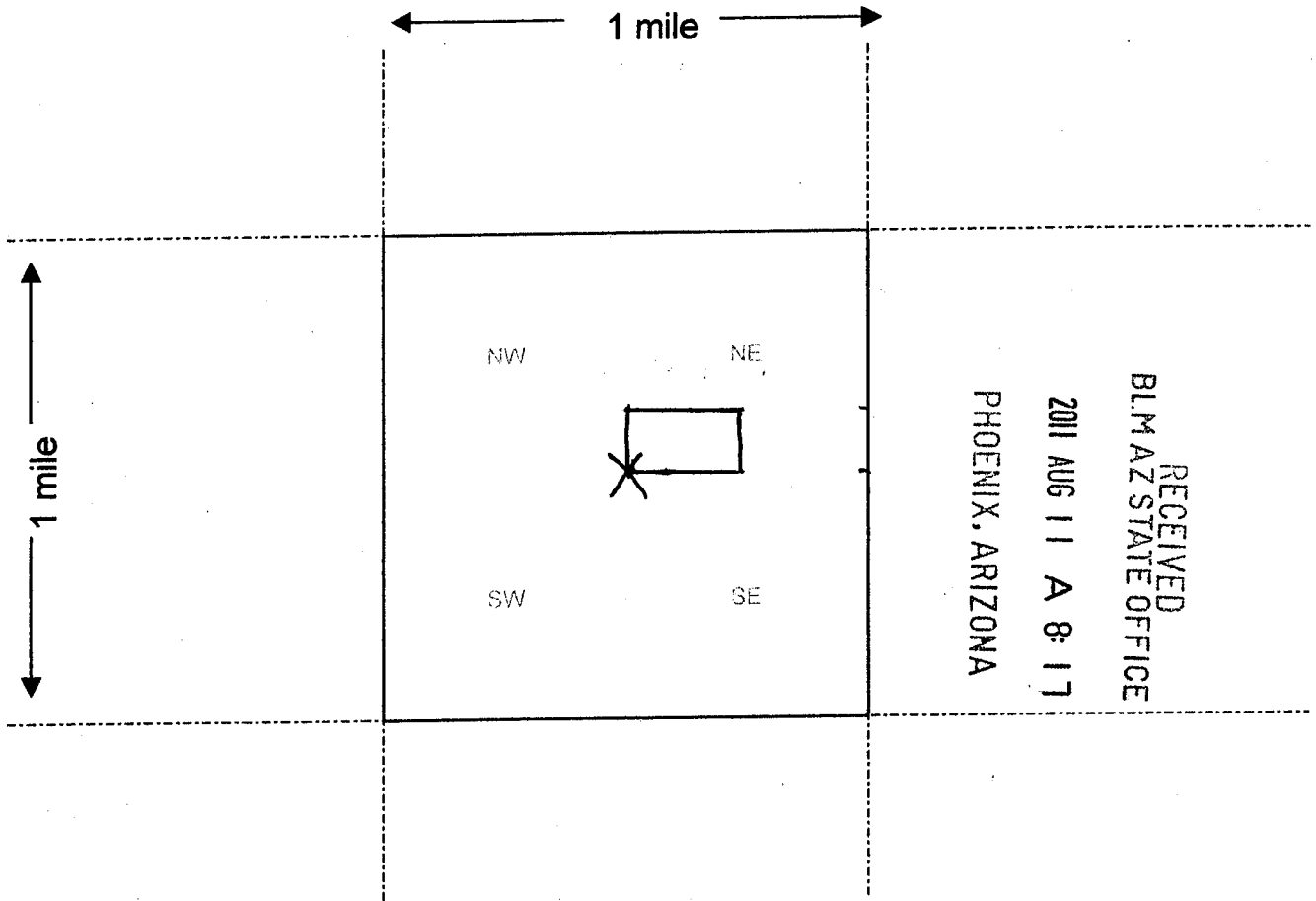
Form MCF102
Revised July 2005

This form is available from the Arizona Department of Mines & Mineral Resources and may be reproduced.
Stephenville, TX 76401

AMC410037

MINING CLAIM MAP

Lode () Placer (X)



Scale : 1" = 2000 feet



1. The above map depicts the UMED. 46 mining claim, which is located in Section (s) 10, Township 13 N, Range 15 W, Gila and Salt River Base and Meridian, Mohave County, Arizona.

2. The type of corner and location monuments used are as follows: 5' wooden stake.

3. The bearings and distances in degrees and feet between claim corners are as depicted on the map.

Form MCF100a
Revised July 2005



FEE# 2011031210

OFFICIAL RECORDS
OF MOHAVE COUNTY
CAROL MEIER,
COUNTY RECORDER



06/13/2011 09:27 AM Fee: \$14.00

PAGE: 1 of 2

LOCATION NOTICE FOR PLACER MINING CLAIM

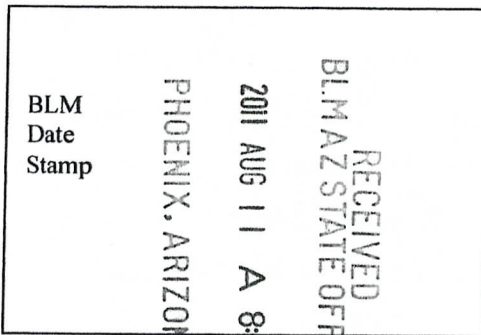
NOTICE IS HEREBY GIVEN that the UMED, 47

_____ placer mining claim has been located by

UMED Holdings, Inc. whose current mailing

address is 119 Woodstream Ct.

CRESSON, TX 76035



The general course of this claim is NW 1/4 of SEC. 10 and it is situated in

Mohave County, Arizona.

This claim is 660 feet in length and 1320 feet in width. This claim runs from the location monument on which this location notice is posted approximately 660 feet in a North direction to the North end line and 1320 feet in a East direction to the East end line.

This claim is marked by four monuments, one at each corner of the claim.

The location monument on which this notice is posted is situated within Section 10, Township 13 N, Range 15 W, Gila Salt River Base and Meridian, Arizona. This claim encompasses portions of the following legal subdivision(s) if located by legal subdivision or the following quarter section (s), section (s), Township (s) and Range (s) S 1/2 of the SE 1/4 of the NW 1/4 of SECTION 10, Twp 13N, Range 15W, Mohave County, Gila Salt River Base and Meridian, Arizona.

The locality of this claim with reference to some natural object or permanent monument and additional information (if any) concerning its locality are as follows: 7920' south & 3960' West of the NW corner of BEVO I.

DATED AND POSTED on the ground this 11 day of June, 20 11.

LOCATOR (s) Jubal Caldwell

Jubal Caldwell
230 Cheyenne

Form MCF102
Revised July 2005

This form is available from the Arizona Department of Mines & Mineral Resources and may be reproduced.

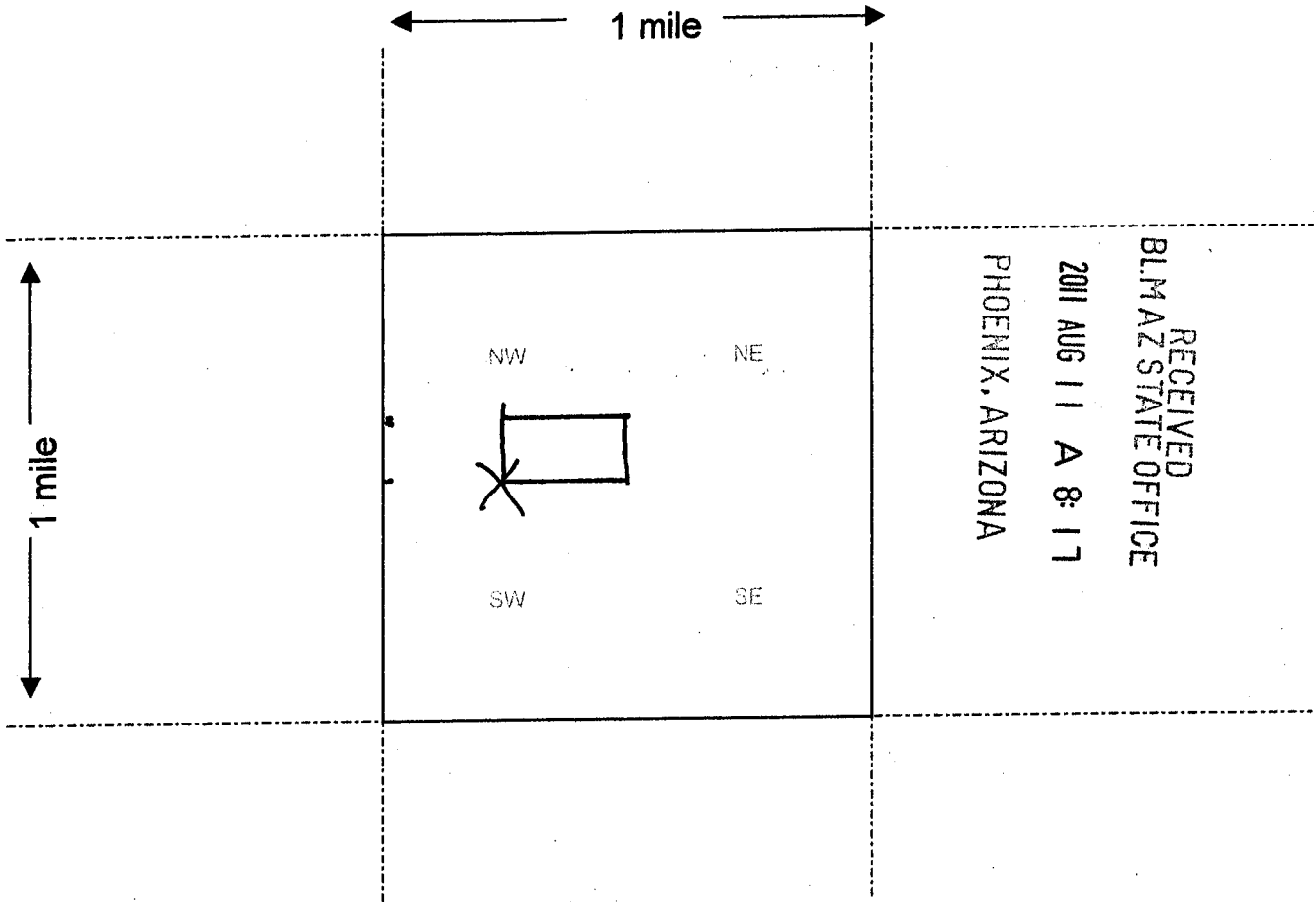
Stephenville, TX 76401

AMC410038

Ret:

MINING CLAIM MAP

Lode () Placer (X)



RECEIVED
BLM AZ STATE OFFICE
2011 AUG 11 A 8:17
PHOENIX, ARIZONA

Scale : 1" = 2000 feet



1. The above map depicts the UMED. 47 mining claim, which is located in Section (s) 10, Township 13 N, Range 15 W, Gila and Salt River Base and Meridian, Mojave County, Arizona.

2. The type of corner and location monuments used are as follows: 5' wooden stake

3. The bearings and distances in degrees and feet between claim corners are as depicted on the map.

Form MCF100a
Revised July 2005

2



FEE# 2011031211

OFFICIAL RECORDS
OF MOHAVE COUNTY
CAROL MEIER,
COUNTY RECORDER



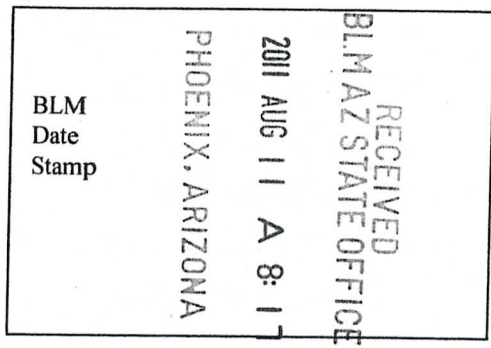
06/13/2011 09:27 AM Fee: \$14.00

PAGE: 1 of 2

LOCATION NOTICE FOR PLACER MINING CLAIM

NOTICE IS HEREBY GIVEN that the UMED-48
_____ placer mining claim has been located by
UMED Holdings, Inc. whose current mailing
address is 119 Woodstream Ct.
CRESSON, TX 76035

Ret:



The general course of this claim is NW 1/4 of SEC. 10 and it is situated in
Mohave County, Arizona.

This claim is 660 feet in length and 1320 feet in width. This claim runs from the
location monument on which this location notice is posted approximately 660 feet in a North
direction to the North end line and 1320 feet in a East direction to the East end line.
This claim is marked by four monuments, one at each corner of the claim.

AMC410039

The location monument on which this notice is posted is situated within Section 10, Township
13 N, Range 15 W, Gila Salt River Base and Meridian, Arizona. This claim encompasses
portions of the following legal subdivision(s) if located by legal subdivision or the following quarter section (s),
section (s), Township (s) and Range (s) 5 1/2 of the SW 1/4 of the NW 1/4 of Section 10,
Town 13 N, Range 15 W, Mohave County, Gila Salt River Base and Meridian, Arizona.

The locality of this claim with reference to some natural object or permanent monument and additional
information (if any) concerning its locality are as follows: 7920' south & 5280' west
of the NW corner of Bevo I.

DATED AND POSTED on the ground this 11 day of June, 2011.

LOCATOR (s) Jubal Caldwell
Jubal Caldwell
230 CHEYENNE

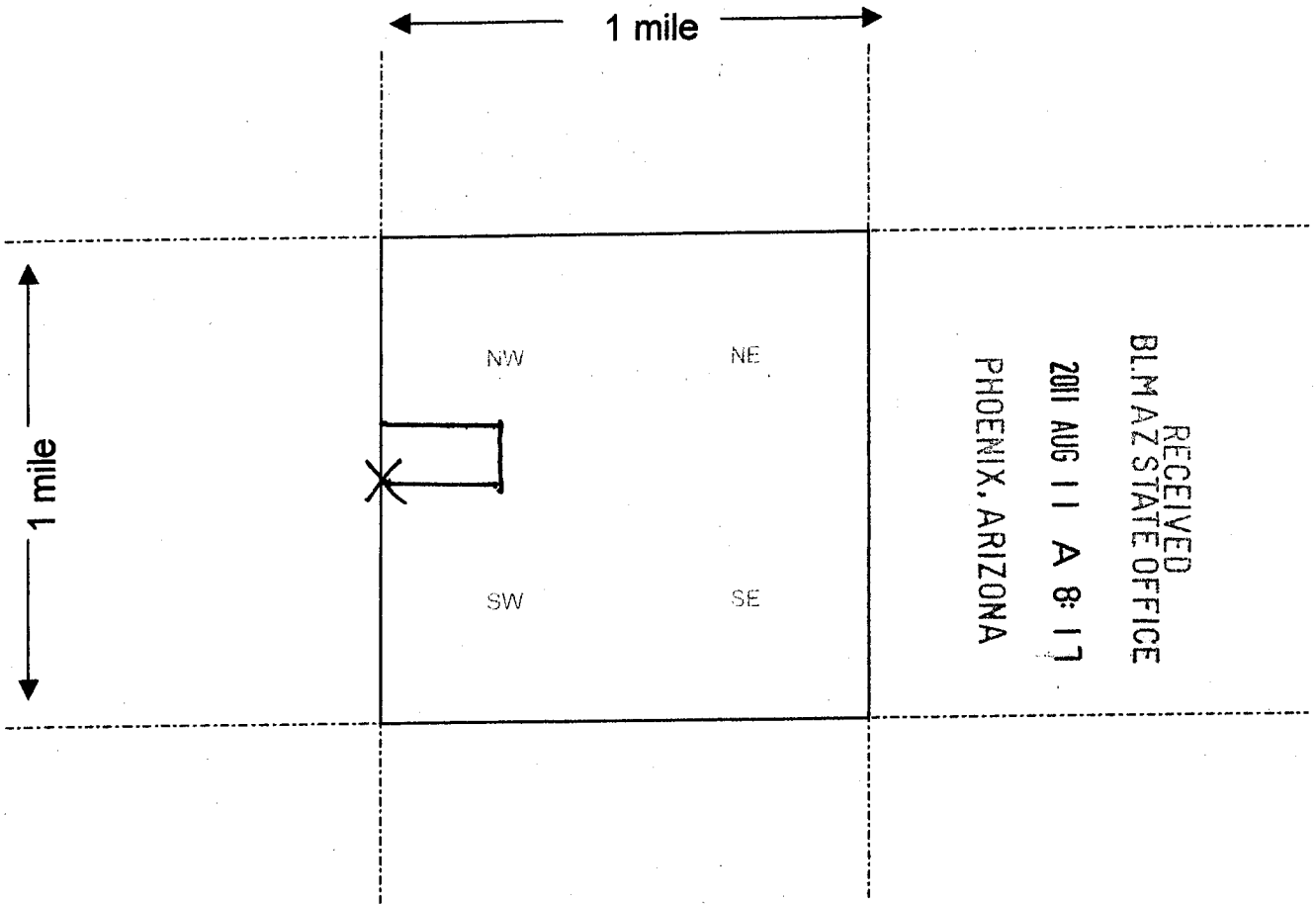
Form MCF102
Revised July 2005

This form is available from the Arizona Department of Mines & Mineral Resources and may be reproduced.

Stephenville, TX 76401

MINING CLAIM MAP

Lode () Placer (X)



Scale : 1" = 2000 feet



1. The above map depicts the UMED. 48 mining claim, which is located in Section (s) 10, Township 13 N, Range 15 W, Gila and Salt River Base and Meridian, Mohave County, Arizona.

2. The type of corner and location monuments used are as follows: 5' wooden stake.

3. The bearings and distances in degrees and feet between claim corners are as depicted on the map.

Form MCF100a
Revised July 2005

2



FEE# 2011031212

OFFICIAL RECORDS
OF MOHAVE COUNTY
CAROL MEIER,
COUNTY RECORDER



06/13/2011 09:27 AM Fee: \$14.00

PAGE: 1 of 2

LOCATION NOTICE FOR PLACER MINING CLAIM

NOTICE IS HEREBY GIVEN that the UMED. 49
_____ placer mining claim has been located by
UMED Holdings, Inc. whose current mailing
address is 119 Woodstream Ct.
CRESSON, TX 76035

Ret:

RECEIVED
BLM AZ STATE OFFICE
2011 AUG 11 A 8:17
PHOENIX, ARIZONA
BLM
Date
Stamp

The general course of this claim is SE 1/4 of Sec. 10 and it is situated in
Mohave County, Arizona.

This claim is 660 feet in length and 1320 feet in width. This claim runs from the
location monument on which this location notice is posted approximately 660 feet in a North
direction to the North end line and 1320 feet in a East direction to the East end line.
This claim is marked by four monuments, one at each corner of the claim.

AMC410040

The location monument on which this notice is posted is situated within Section 10, Township
13 N, Range 15 W, Gila Salt River Base and Meridian, Arizona. This claim encompasses
portions of the following legal subdivision(s) if located by legal subdivision or the following quarter section (s),
section (s), Township (s) and Range (s) N 1/2 of the NE 1/4 of the SE 1/4 of Section 10,
Twn 13 N, Range 15 W, Mohave County, Gila Salt River Base and Meridian, Arizona.

The locality of this claim with reference to some natural object or permanent monument and additional
information (if any) concerning its locality are as follows: 8580' South & 1320' West
of the NW corner of Bevo I.

DATED AND POSTED on the ground this 10 day of June, 2011.

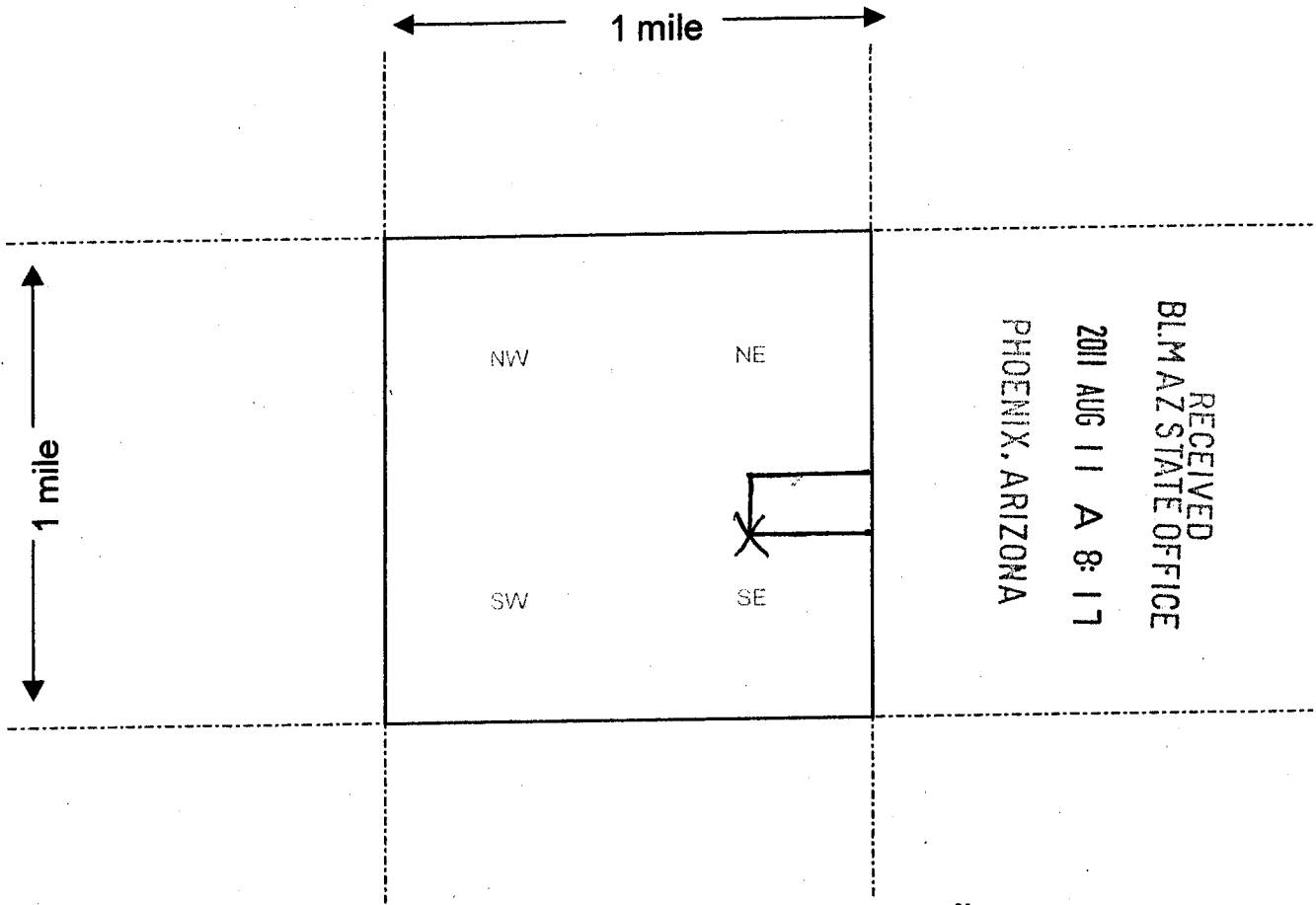
LOCATOR (s) Jubal Caldwell
Jubal Caldwell
230 Cheyenne

Form MCF102
Revised July 2005

This form is available from the Arizona Department of Mines & Mineral Resources and may be reproduced.
Stephenville, TX 76401

MINING CLAIM MAP

Lode () Placer (X)



Scale : 1" = 2000 feet



1. The above map depicts the UMED. 49 mining claim, which is located in Section (s) 10, Township 13 N, Range 15 W, Gila and Salt River Base and Meridian, Mojave County, Arizona.

2. The type of corner and location monuments used are as follows: 5' wooden stake.

3. The bearings and distances in degrees and feet between claim corners are as depicted on the map.

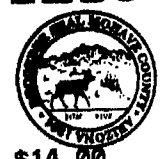
Form MCF100a
Revised July 2005

2



FEE# 2011031213

OFFICIAL RECORDS OF MOHAVE COUNTY CAROL MEIER, COUNTY RECORDER



06/13/2011 09:27 AM Fee: \$14.00

PAGE: 1 of 2

LOCATION NOTICE FOR PLACER MINING CLAIM

NOTICE IS HEREBY GIVEN that the UMED.50 placer mining claim has been located by UMED Holdings, Inc. whose current mailing address is 119 Woodstream Ct. CRESSON, TX 76035

Ref:

BLM Date Stamp	2011 AUG 11 A 8:17	RECEIVED
	PHOENIX, ARIZONA	BLM AZ STATE OFFICE

The general course of this claim is SE 1/4 of SEC. 10 and it is situated in Mohave County, Arizona.

This claim is 660 feet in length and 1320 feet in width. This claim runs from the location monument on which this location notice is posted approximately 660 feet in a North direction to the North end line and 1320 feet in a East direction to the East end line. This claim is marked by four monuments, one at each corner of the claim.

AMC410041

The location monument on which this notice is posted is situated within Section 10, Township 13 N, Range 15 W, Gila Salt River Base and Meridian, Arizona. This claim encompasses portions of the following legal subdivision(s) if located by legal subdivision or the following quarter section (s), section (s), Township (s) and Range (s) N 1/2 of the NW 1/4 of the SE 1/4 of Section 10, Twp 13 N, Range 15 W, Mohave County, Gila Salt River Base and Meridian, Arizona.

The locality of this claim with reference to some natural object or permanent monument and additional information (if any) concerning its locality are as follows: 8580' south & 2640' West of the NW corner of BEVO, I.

DATED AND POSTED on the ground this 10 day of June, 20 11.

LOCATOR (s) Jubal Caldwell
Jubal Caldwell
230 CHEYENNE

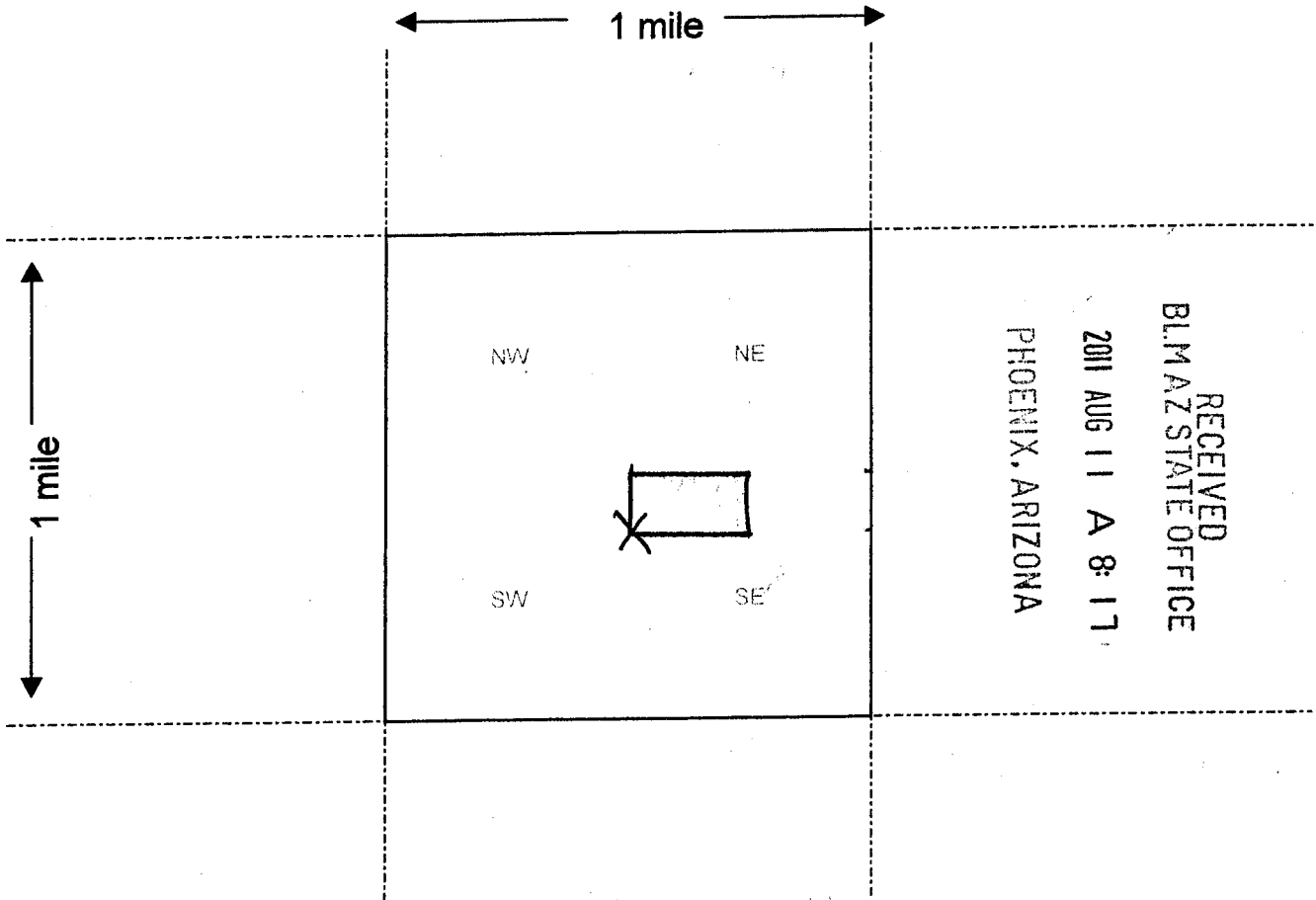
Form MCF102
Revised July 2005

This form is available from the Arizona Department of Mines & Mineral Resources and may be reproduced.

Stephanville, TX 76401

MINING CLAIM MAP

Lode () Placer (X)



RECEIVED
BLM AZ STATE OFFICE
2011 AUG 11 A 8:17
PHOENIX, ARIZONA

Scale : 1" = 2000 feet



1. The above map depicts the UMED.50 mining claim, which is located in Section (s) 10, Township 13 N, Range 15 W, Gila and Salt River Base and Meridian, Mohave County, Arizona.

2. The type of corner and location monuments used are as follows: 5' wooden stake.

3. The bearings and distances in degrees and feet between claim corners are as depicted on the map.

Form MCF100a
Revised July 2005

2



FEE# 2011031214

OFFICIAL RECORDS
OF MOHAVE COUNTY
CAROL MEIER,
COUNTY RECORDER



06/13/2011 09:27 AM Fee: \$14.00

PAGE: 1 of 2

LOCATION NOTICE FOR PLACER MINING CLAIM

NOTICE IS HEREBY GIVEN that the UMED. 51
_____ placer mining claim has been located by
UMED Holdings, Inc. whose current mailing
address is 119 Woodstream Ct.
CRESSON, TX 76035

Red:

RECEIVED
BLM AZ STATE OFFICE
2011 AUG 11 A 8:17
PHOENIX, ARIZONA
BLM
Date
Stamp

The general course of this claim is SE 1/4 of SEC. 10 and it is situated in
Mohave County, Arizona.

This claim is 660 feet in length and 1320 feet in width. This claim runs from the
location monument on which this location notice is posted approximately 660 feet in a North
direction to the North end line and 1320 feet in a East direction to the East end line.

AMC410042

This claim is marked by four monuments, one at each corner of the claim.

The location monument on which this notice is posted is situated within Section 10, Township
13 N, Range 15 W, Gila Salt River Base and Meridian, Arizona. This claim encompasses
portions of the following legal subdivision(s) if located by legal subdivision or the following quarter section (s),
section (s), Township (s) and Range (s) S 1/2 of the NE 1/4 of the SE 1/4 of Section 10,
Town 13 N, Range 15 W, Mohave County, Gila Salt River Base and Meridian, Arizona.

The locality of this claim with reference to some natural object or permanent monument and additional
information (if any) concerning its locality are as follows: 9240' South & 1320' West
of the NW corner of BEVO I.

DATED AND POSTED on the ground this 10 day of June, 20 11.

LOCATOR (s) Jubal Caldwell
Jubal Caldwell
230 CHEYENNE

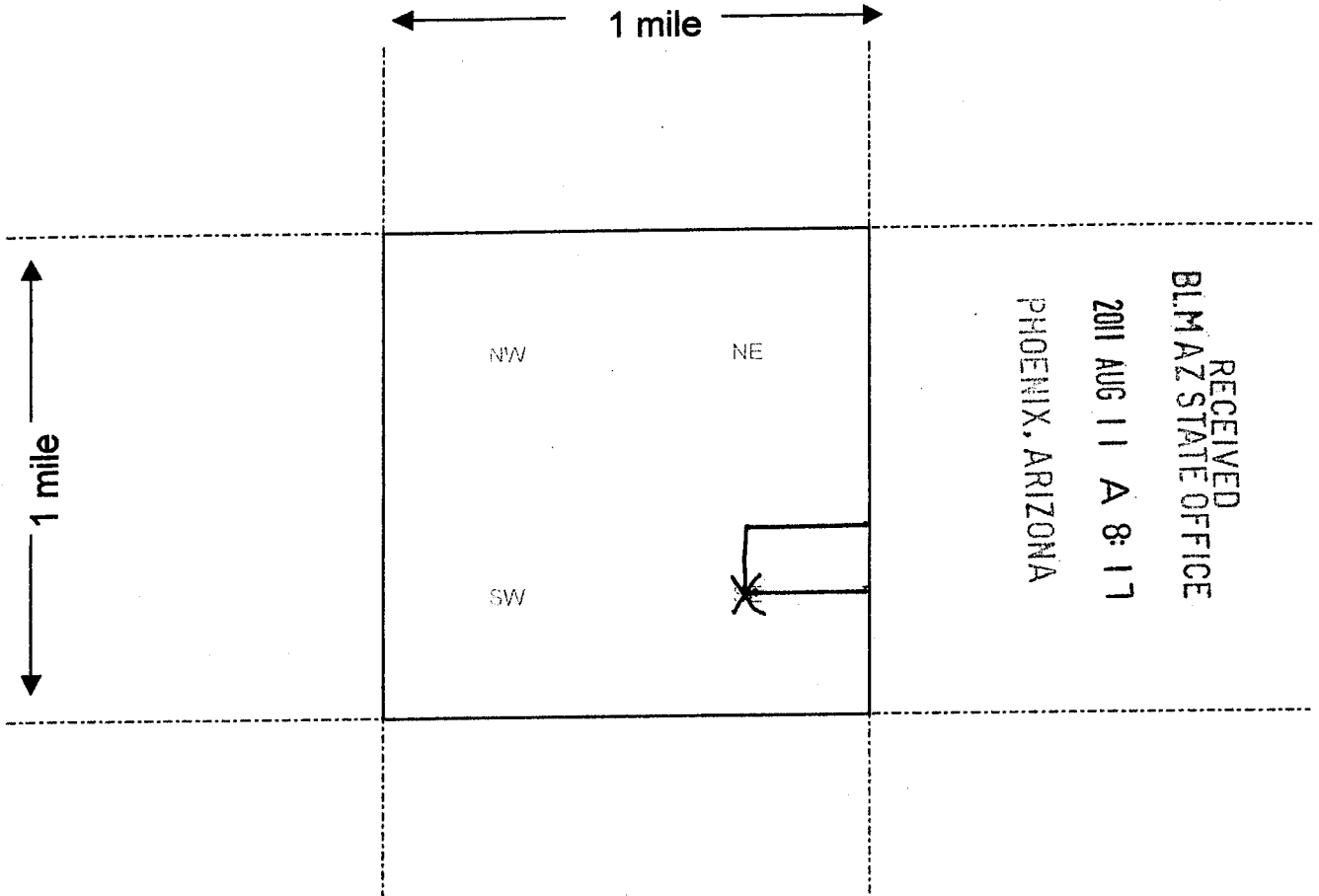
Form MCF102
Revised July 2005

This form is available from the Arizona Department of Mines & Mineral Resources and may be reproduced.

Stephanville, TX 76401

MINING CLAIM MAP

Lode () Placer (X)



RECEIVED
BLM AZ STATE OFFICE
2011 AUG 11 A 8:17
PHOENIX, ARIZONA

Scale : 1" = 2000 feet



1. The above map depicts the UMED. 51 mining claim, which is located in Section (s) 10, Township 13 N, Range 15 W, Gila and Salt River Base and Meridian, Mohave County, Arizona.
2. The type of corner and location monuments used are as follows: 5' Wooden stake.
3. The bearings and distances in degrees and feet between claim corners are as depicted on the map.

Form MCF100a
Revised July 2005

2

FEE# 2011031215

OFFICIAL RECORDS OF MOHAVE COUNTY CAROL MEIER, COUNTY RECORDER



06/13/2011 09:27 AM Fee: \$14.00

PAGE: 1 of 2

LOCATION NOTICE FOR PLACER MINING CLAIM

NOTICE IS HEREBY GIVEN that the UMED.52 placer mining claim has been located by UMED Holdings, Inc. whose current mailing address is 119 Woodstream Ct. CRESSON, TX 76035

Ret:

RECEIVED BLM AZ STATE OFFICE 2011 AUG 11 A 8:17 PHOENIX, ARIZONA BLM Date Stamp

The general course of this claim is SE 1/4 of Sec. 10 and it is situated in Mohave County, Arizona.

This claim is 660 feet in length and 1320 feet in width. This claim runs from the location monument on which this location notice is posted approximately 660 feet in a North direction to the North end line and 1320 feet in a East direction to the East end line.

This claim is marked by four monuments, one at each corner of the claim.

The location monument on which this notice is posted is situated within Section 10, Township 13 N, Range 15 W, Gila Salt River Base and Meridian, Arizona. This claim encompasses portions of the following legal subdivision(s) if located by legal subdivision or the following quarter section (s), section (s), Township (s) and Range (s) 5 1/2 of the NW 1/4 of the SE 1/4 of Section 10, Twp 13N, Range 15W, Mohave County, Gila Salt River Base and Meridian, Arizona.

The locality of this claim with reference to some natural object or permanent monument and additional information (if any) concerning its locality are as follows: 9240' south of 2640' West of the NW corner of BEVO I.

DATED AND POSTED on the ground this 10 day of June, 2011.

LOCATOR (s) Jubal Caldwell
Jubal Caldwell
230 CHEYENNE

Form MCF102 Revised July 2005

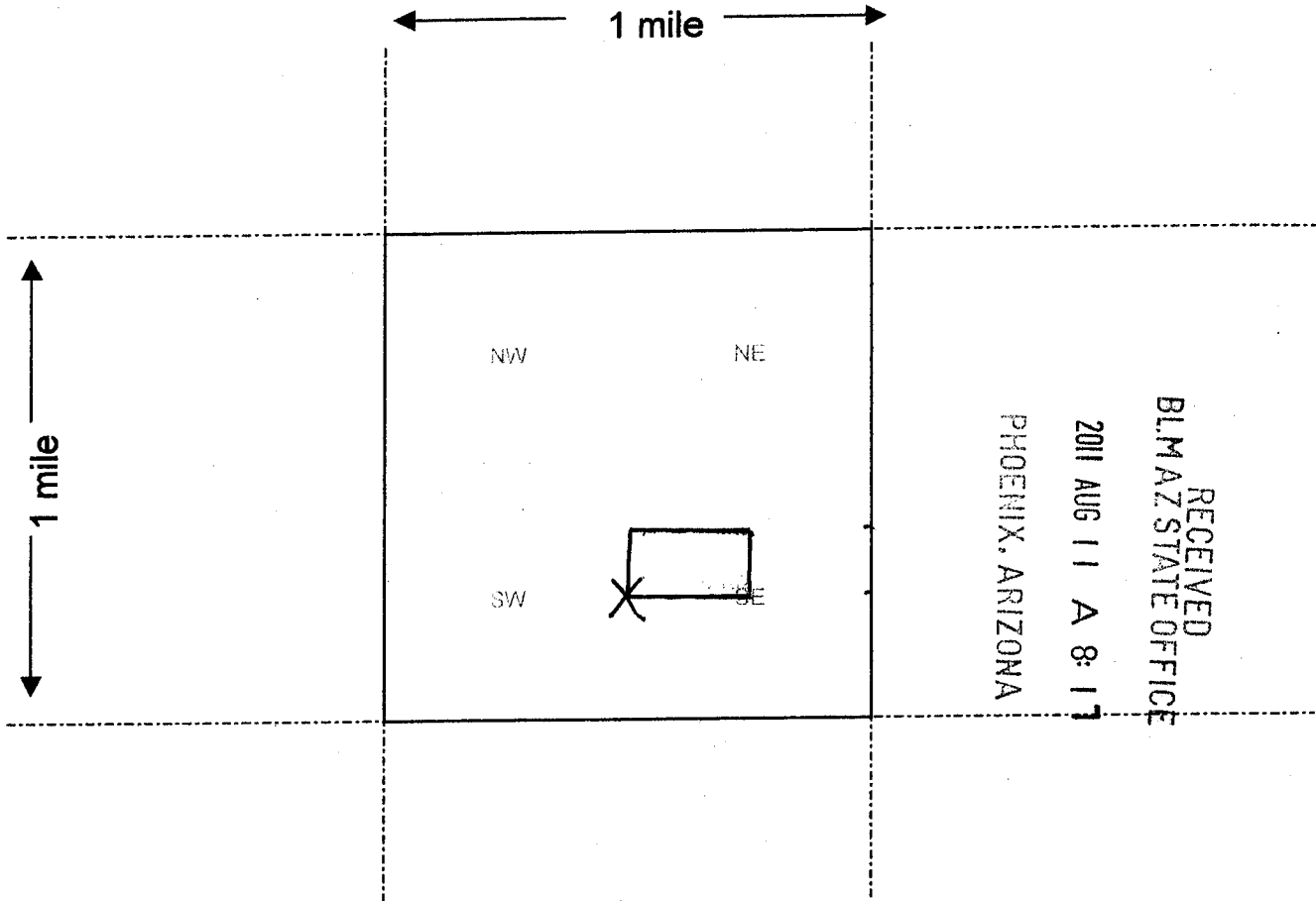
This form is available from the Arizona Department of Mines & Mineral Resources and may be reproduced.

Stephenville, TX 76401

ARCH 10043

MINING CLAIM MAP

Lode () Placer (X)



Scale : 1" = 2000 feet



1. The above map depicts the UMED. 52 mining claim, which is located in Section (s) 10, Township 13 N, Range 15 W, Gila and Salt River Base and Meridian, Mohave County, Arizona.

2. The type of corner and location monuments used are as follows: 5' wooden Stake.

3. The bearings and distances in degrees and feet between claim corners are as depicted on the map.

Form MCF100a
Revised July 2005

2



FEE# 2011031216

OFFICIAL RECORDS
OF MOHAVE COUNTY
CAROL MEIER,
COUNTY RECORDER



06/13/2011 09:27 AM Fee: \$14.00

PAGE: 1 of 2

LOCATION NOTICE FOR PLACER MINING CLAIM

NOTICE IS HEREBY GIVEN that the UMED. 53

_____ placer mining claim has been located by

UMED Holdings, Inc. whose current mailing

address is 119 Woodstream Ct.

CRESSON, TX 76035

Ret:

RECEIVED	2011 AUG 11 A 8:17	PHOENIX, ARIZONA
BLM AZ STATE OFFICE		
BLM	Date	Stamp

The general course of this claim is SE 1/4 of Sec. 10 and it is situated in

Mohave County, Arizona.

This claim is 660 feet in length and 1320 feet in width. This claim runs from the location monument on which this location notice is posted approximately 660 feet in a North direction to the North end line and 1320 feet in a EAST direction to the EAST end line.

This claim is marked by four monuments, one at each corner of the claim.

The location monument on which this notice is posted is situated within Section 10, Township 13 N, Range 15 W, Gila Salt River Base and Meridian, Arizona. This claim encompasses

portions of the following legal subdivision(s) if located by legal subdivision or the following quarter section (s), section (s), Township (s) and Range (s) N 1/2 of the SE 1/4 of the SE 1/4 of SECTION 10, Twn 13 N, Range 15 W, Mohave County, Gila Salt River Base and Meridian, Arizona.

The locality of this claim with reference to some natural object or permanent monument and additional information (if any) concerning its locality are as follows: 9900' South of 1320' West of the NW corner of Bevo I.

DATED AND POSTED on the ground this 10 day of June, 2011.

LOCATOR (s) Jubal Caldwell
Jubal Caldwell
230 CHEYENNE

Form MCF102
Revised July 2005

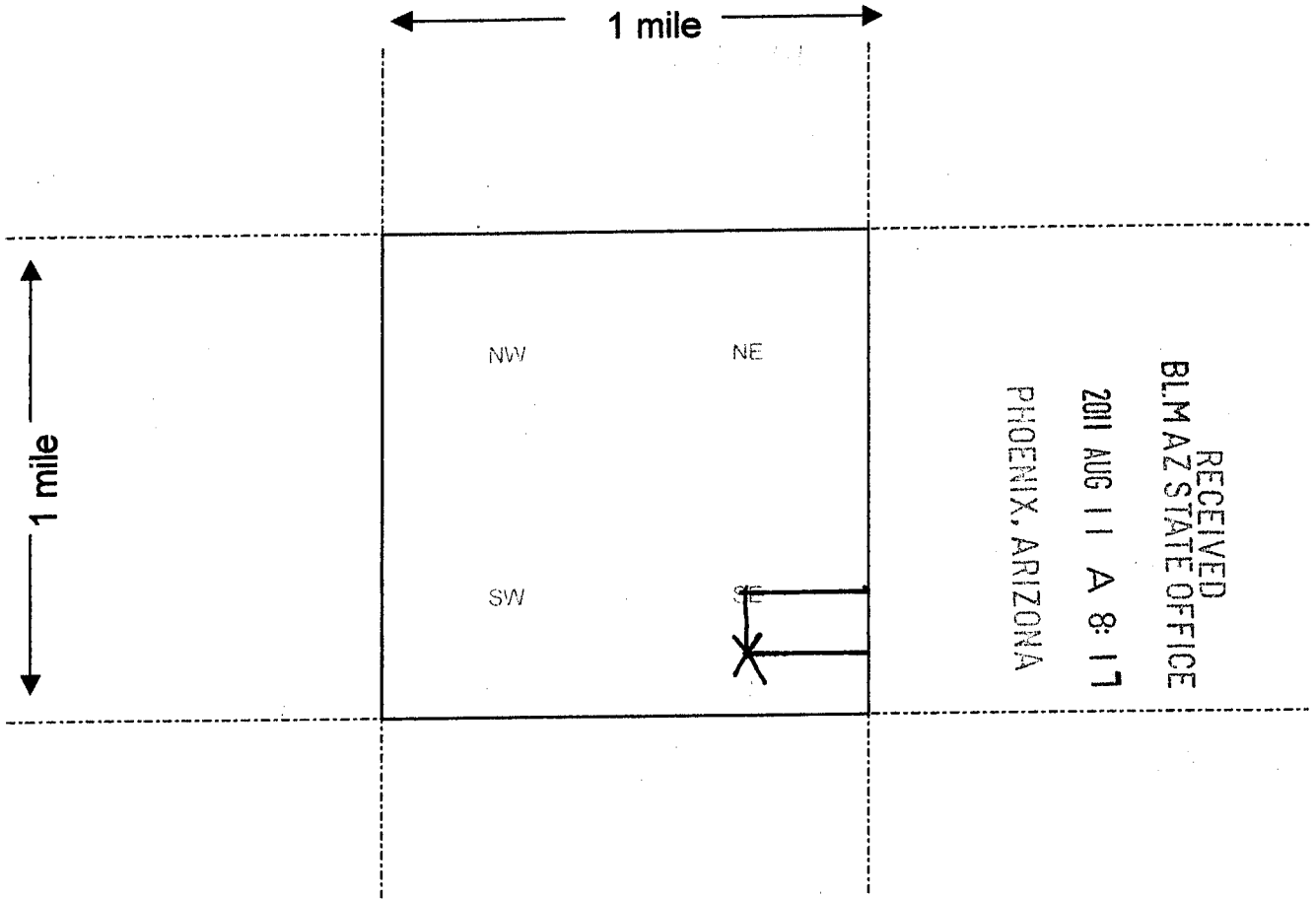
This form is available from the Arizona Department of Mines & Mineral Resources and may be reproduced.

Stephenville, TX 76401

AMC410044

MINING CLAIM MAP

Lode () Placer (X)



Scale : 1" = 2000 feet



- The above map depicts the UMED.53 mining claim, which is located in Section (s) 10, Township 13 N, Range 15 W, Gila and Salt River Base and Meridian, Mohave County, Arizona.
- The type of corner and location monuments used are as follows: 5' wooden stake.

3. The bearings and distances in degrees and feet between claim corners are as depicted on the map.

Form MCF100a
Revised July 2005

2



FEE# 2011031217

OFFICIAL RECORDS OF MOHAVE COUNTY CAROL MEIER, COUNTY RECORDER



06/13/2011 09:27 AM Fee: \$14.00

PAGE: 1 of 2

LOCATION NOTICE FOR PLACER MINING CLAIM

NOTICE IS HEREBY GIVEN that the UMED.54

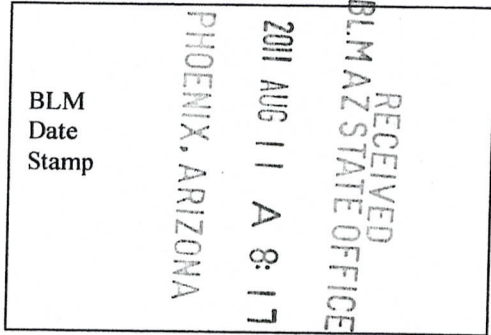
_____ placer mining claim has been located by

UMED Holdings, Inc. whose current mailing

address is 119 Woodstream Ct.

CRESSON, TX 76035

Ret.



The general course of this claim is SE 1/4 of SEC. 10 and it is situated in

Mohave County, Arizona.

This claim is 660 feet in length and 1320 feet in width. This claim runs from the

location monument on which this location notice is posted approximately 660 feet in a North direction to the North end line and 1320 feet in a East direction to the East end line.

This claim is marked by four monuments, one at each corner of the claim.

The location monument on which this notice is posted is situated within Section 10, Township

13 N, Range 15 W, Gila Salt River Base and Meridian, Arizona. This claim encompasses portions of the following legal subdivision(s) if located by legal subdivision or the following quarter section (s),

section (s), Township (s) and Range (s) N 1/2 of the SW 1/4 of the SE 1/4 of SECTION 10, Twp 13 N, Range 15 W, Mohave County, Gila Salt River Base and Meridian, Arizona.

The locality of this claim with reference to some natural object or permanent monument and additional information (if any) concerning its locality are as follows: 9900' South of 2640' West of the NW corner of BEVO I.

DATED AND POSTED on the ground this 10 day of June, 2011.

LOCATOR (s) Jubal Caldwell

Jubal Caldwell
230 CHEYENNE

Form MCF102
Revised July 2005

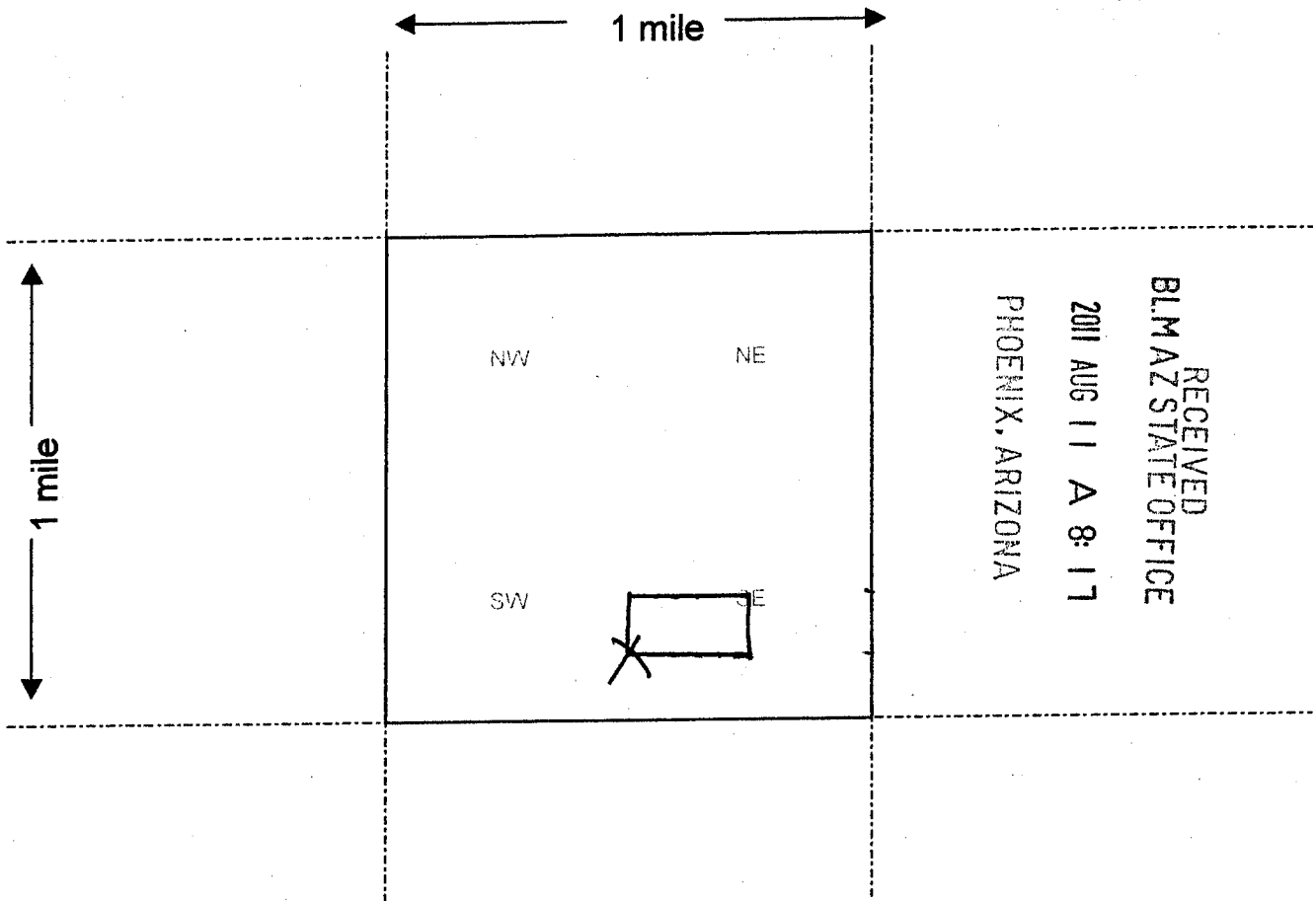
This form is available from the Arizona Department of Mines & Mineral Resources and may be reproduced.

Stephanville, TX 76401

ANCI410045

MINING CLAIM MAP

Lode () Placer (X)



Scale : 1" = 2000 feet



1. The above map depicts the UMED. 54 mining claim, which is located in Section (s) 10, Township 13 N, Range 15 W, Gila and Salt River Base and Meridian, Mohave County, Arizona.
2. The type of corner and location monuments used are as follows: 5' wooden stake.
3. The bearings and distances in degrees and feet between claim corners are as depicted on the map.

Form MCF100a
Revised July 2005

2



FEE# 2011031218

OFFICIAL RECORDS
OF MOHAVE COUNTY
CAROL MEIER,
COUNTY RECORDER



06/13/2011 09:27 AM Fee: \$14.00

PAGE: 1 of 2

LOCATION NOTICE FOR PLACER MINING CLAIM

NOTICE IS HEREBY GIVEN that the UMED, 55

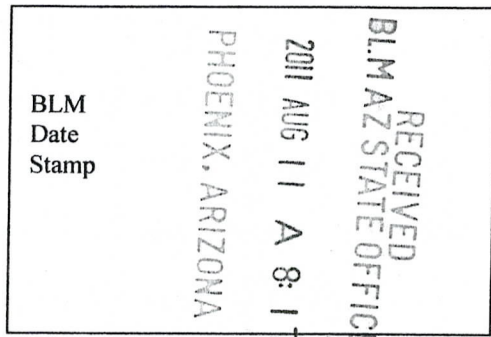
_____ placer mining claim has been located by

UMED Holdings, Inc. whose current mailing

address is 119 Woodstream Ct.

CRESSON, TX 76035

Ret.



The general course of this claim is SE 1/4 of SEC. 10 and it is situated in

Mohave County, Arizona.

This claim is 660 feet in length and 1320 feet in width. This claim runs from the

location monument on which this location notice is posted approximately 660 feet in a North direction to the North end line and 1320 feet in a East direction to the East end line.

This claim is marked by four monuments, one at each corner of the claim.

The location monument on which this notice is posted is situated within Section 10, Township

13 N, Range 15 W, Gila Salt River Base and Meridian, Arizona. This claim encompasses

portions of the following legal subdivision(s) if located by legal subdivision or the following quarter section (s),

section (s), Township (s) and Range (s) S 1/2 of the SE 1/4 of the SE 1/4 of SECTION 10,

Twp 13 N, Range 15 W, Mohave County, Gila Salt River Base and Meridian, Arizona.

AMC41004b

The locality of this claim with reference to some natural object or permanent monument and additional

information (if any) concerning its locality are as follows: 10,560' south of 1320' West of the NW corner of BEVO I.

DATED AND POSTED on the ground this 10 day of June, 20 11.

LOCATOR (s) Jubal Caldwell
Jubal Caldwell
230 CHEYENNE

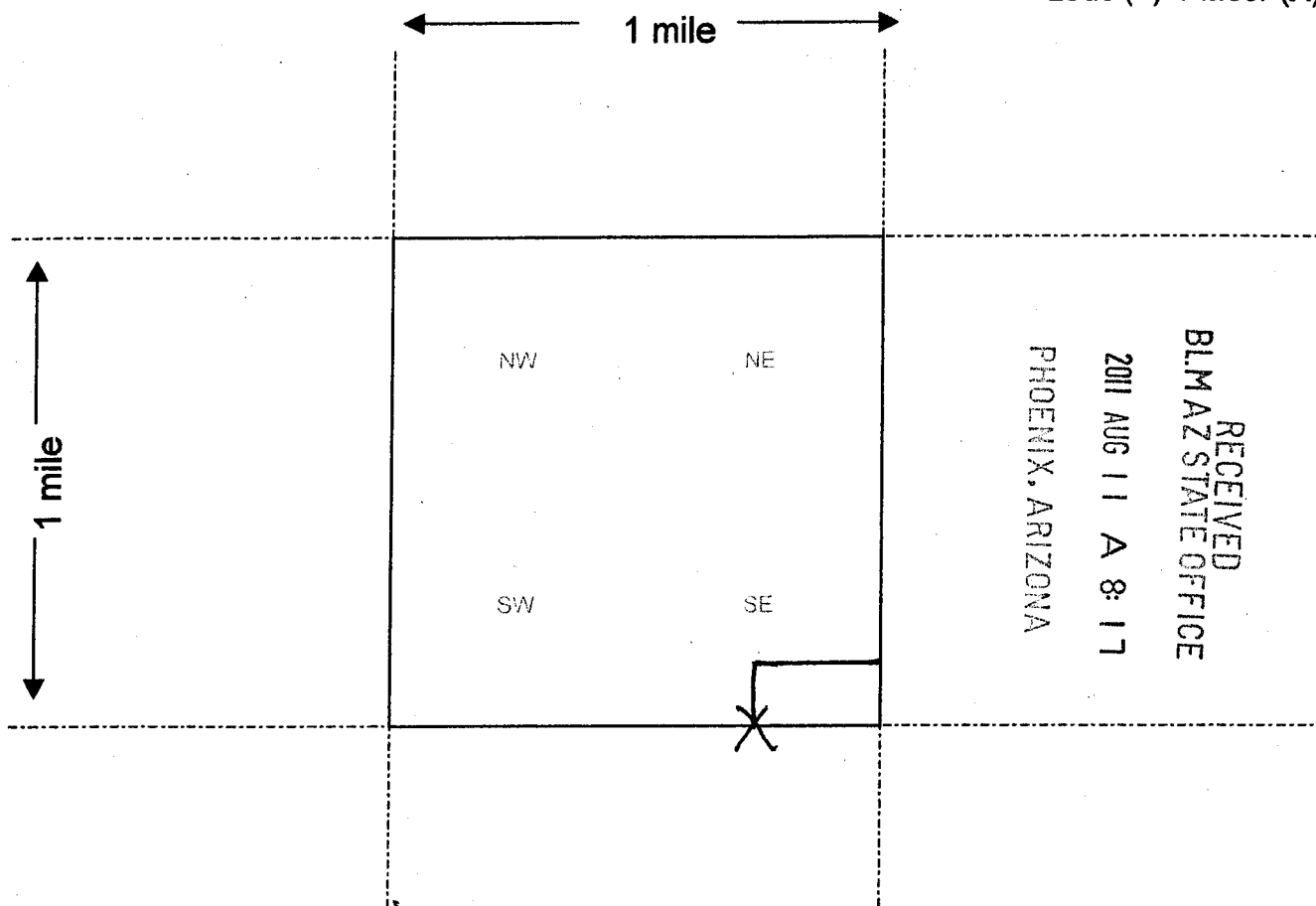
Form MCF102
Revised July 2005

This form is available from the Arizona Department of Mines & Mineral Resources and may be reproduced.

Stephenville, TX 76401

MINING CLAIM MAP

Lode () Placer (X)



Scale : 1" = 2000 feet



1. The above map depicts the UMED. 55 mining claim, which is located in Section (s) 10, Township 13 N, Range 15 W, Gila and Salt River Base and Meridian, Mohave County, Arizona.

2. The type of corner and location monuments used are as follows: 5' wooden Stake

3. The bearings and distances in degrees and feet between claim corners are as depicted on the map.

Form MCF100a
Revised July 2005



FEE# 2011031219

OFFICIAL RECORDS
OF MOHAVE COUNTY
CAROL MEIER,
COUNTY RECORDER



06/13/2011 09:27 AM Fee: \$14.00

PAGE: 1 of 2

LOCATION NOTICE FOR PLACER MINING CLAIM

NOTICE IS HEREBY GIVEN that the UMED.56

_____ placer mining claim has been located by

UMED Holdings, Inc. whose current mailing

address is 119 Woodstream Ct.

CRESSON, TX 76035

Ret:

RECEIVED BLM AZ STATE OFFICE	2011 AUG 11 A 8:18	PHOENIX, ARIZONA
BLM Date Stamp		

The general course of this claim is SE 1/4 of SEC. 10 and it is situated in

Mohave County, Arizona.

This claim is 660 feet in length and 1320 feet in width. This claim runs from the location monument on which this location notice is posted approximately 660 feet in a North direction to the North end line and 1320 feet in a East direction to the East end line.

This claim is marked by four monuments, one at each corner of the claim.

The location monument on which this notice is posted is situated within Section 10, Township 13 N, Range 15 W, Gila Salt River Base and Meridian, Arizona. This claim encompasses

portions of the following legal subdivision(s) if located by legal subdivision or the following quarter section (s),

section (s), Township (s) and Range (s) S 1/2 of the SW 1/4 of the SE 1/4 of SECTION 10,

TWN 13N, RANGE 15W, Mohave County, Gila Salt River Base and Meridian, Arizona.

The locality of this claim with reference to some natural object or permanent monument and additional information (if any) concerning its locality are as follows: 10,560' south & 2640' west of the NW corner of Bevo I.

DATED AND POSTED on the ground this 10 day of June, 2011.

LOCATOR (s) Jubal Caldwell

Jubal Caldwell
230 CHEYENNE

Form MCF102
Revised July 2005

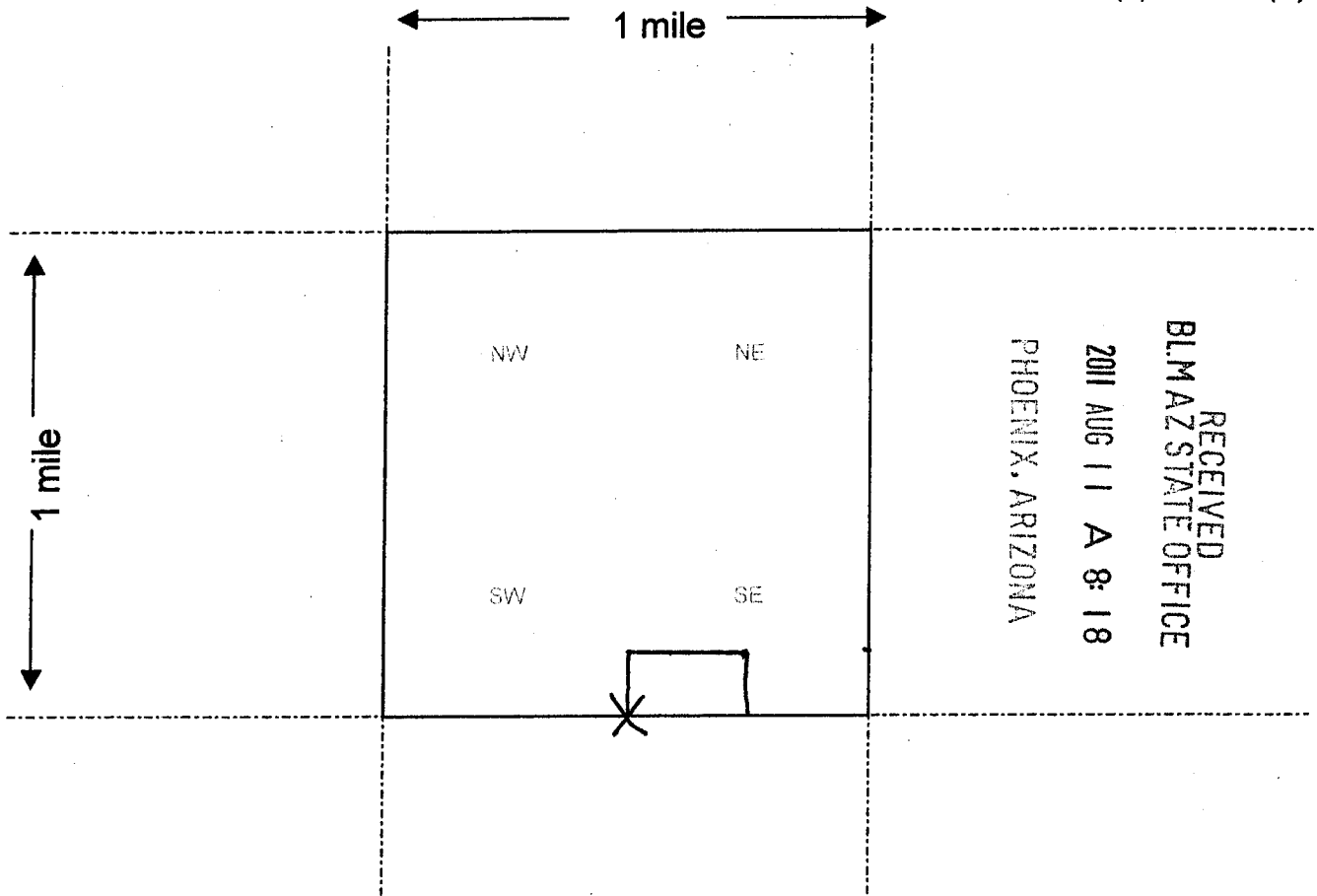
This form is available from the Arizona Department of Mines & Mineral Resources and may be reproduced.

Stephenville, TX 76401

AMC410047

MINING CLAIM MAP

Lode () Placer (X)



RECEIVED
BLM AZ STATE OFFICE
2011 AUG 11 A 8:18
PHOENIX, ARIZONA

Scale : 1" = 2000 feet



1. The above map depicts the UMED. 56 mining claim, which is located in Section (s) 10, Township 13 N, Range 15 W, Gila and Salt River Base and Meridian, Mohave County, Arizona.
2. The type of corner and location monuments used are as follows: 5' wooden stake.
3. The bearings and distances in degrees and feet between claim corners are as depicted on the map.

Form MCF100a
Revised July 2005

This form is available from the Arizona Department of Mines & Mineral Resources and may be reproduced.

Input Parameters for Geographic Report with Land

System Id = CR

Admin State = AZ

Geo State = AZ

Casetype Begins With

Case Disp Txt = AUTHORIZED, CANCELLED, EXPIRED, PENDING, REJECTED, RELINQUISHED, WITHDRAWN

Mer Twp Rng =

Section =

Mtrs = 14 0130N 0150W 002, 14 0130N 0150W 010, 14 0130N 0150W 999, 14 0140N 0150W 034, 14 0140N 0150W 999

Commodity =

Commodity Txt =

Pending Org =

Pend Org Decode =

Total Rows Returned: 7

RUN TIME: 10:12 AM

UNITED STATES DEPARTMENT OF INTERIOR
BUREAU OF LAND MANAGEMENT
GEOGRAPHIC REPORT WITH LAND
Sorted by Serial Number

RUN DATE: 08/24/2011
Page 1 of 1

Adm State: AZ

Serial Number: AZA 019123PT
Total Case Acres: 106,366.240

<u>Casetype</u>	<u>Case Disp</u>	14	0130N	0150W	<u>Sect</u>	<u>Sur Typ</u>	<u>Sur Num</u>	<u>Suff</u>	<u>Subdivision</u>	<u>Act Pend</u>
221006	AUTHORIZED				002	ALIQ LOTS		2 1	S2N2,S2; 1-4;	

Serial Number: AZA 030879
Total Case Acres: 35.810

<u>Casetype</u>	<u>Case Disp</u>	14	0130N	0150W	<u>Sect</u>	<u>Sur Typ</u>	<u>Sur Num</u>	<u>Suff</u>	<u>Subdivision</u>	<u>Act Pend</u>
281001	AUTHORIZED				002	MNR		1	W2SWSW;	

Serial Number: AZA 030879
Total Case Acres: 35.810

<u>Casetype</u>	<u>Case Disp</u>	14	0140N	0150W	<u>Sect</u>	<u>Sur Typ</u>	<u>Sur Num</u>	<u>Suff</u>	<u>Subdivision</u>	<u>Act Pend</u>
281001	AUTHORIZED				034	ALIQ MNR		1	NW,NESW; SWNWSE,W2SWSE;	

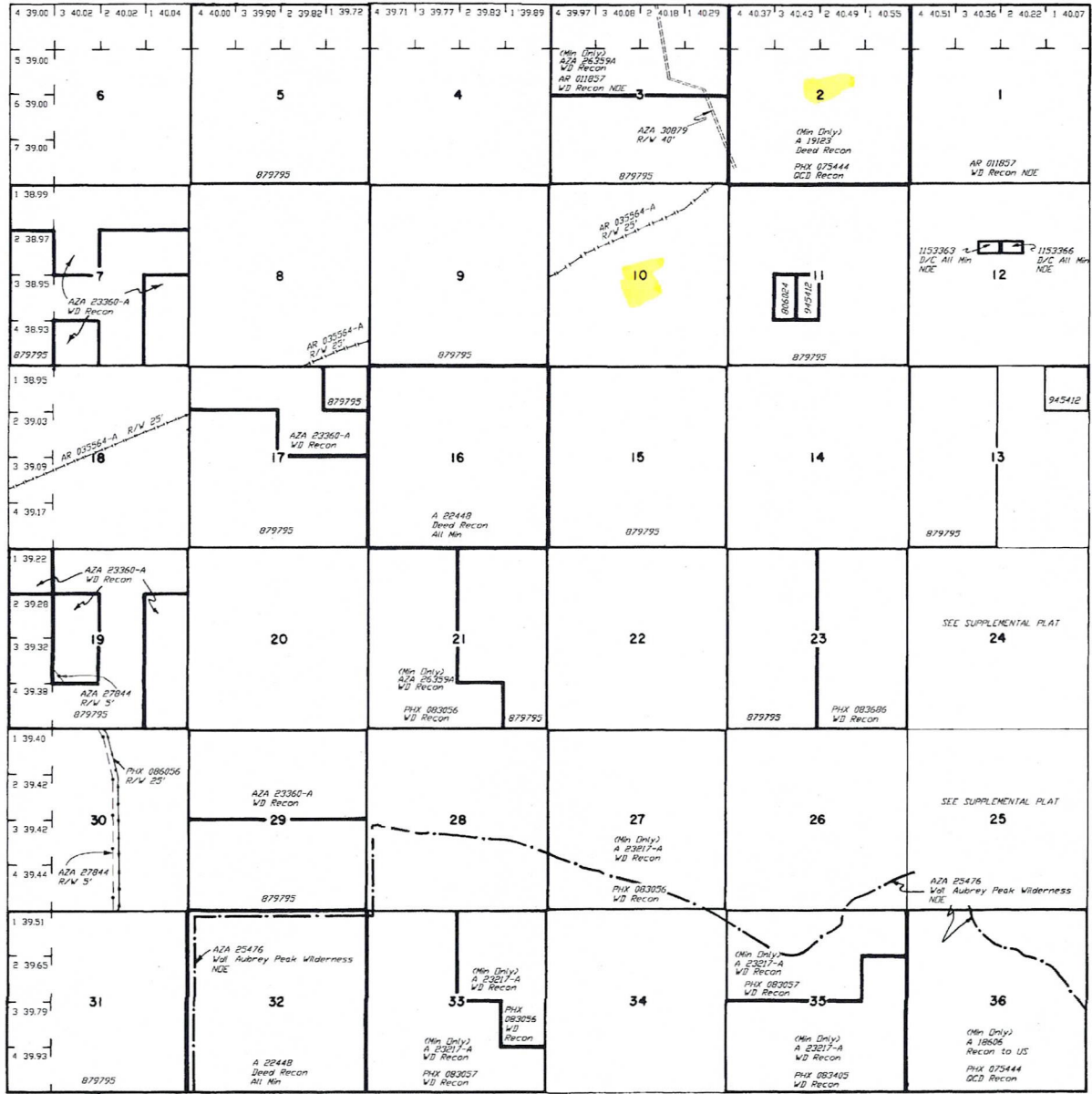
Serial Number: AZAR 0035564A
Total Case Acres: 32.730

<u>Casetype</u>	<u>Case Disp</u>	14	0130N	0150W	<u>Sect</u>	<u>Sur Typ</u>	<u>Sur Num</u>	<u>Suff</u>	<u>Subdivision</u>	<u>Act Pend</u>
288100	AUTHORIZED				002 010	ALIQ ALIQ			SENE,NWSE,NESW,S2SW; N2NE,NENW,S2NW,NWSW;	

TOWNSHIP 13 NORTH RANGE 15 WEST OF THE GILA AND SALT RIVER MERIDIAN, ARIZONA

MOHAVE COUNTY

STATUS OF PUBLIC DOMAIN
LAND AND MINERAL TITLES



INDEX TO SEGREGATED TRACTS				
REURVEY	ORIGINAL SURVEY			
TRACT NO	T	R	SEC	SUBDIVISION

FOR ORDERS EFFECTING DISPOSAL OR USE OF UNIDENTIFIED LANDS WITHDRAWN FOR CLASSIFICATION, MINERALS, WATER AND/OR OTHER PUBLIC PURPOSES, REFER TO INDEX OF MISCELLANEOUS DOCUMENTS.

DIST. NO. 2
GRAZING DIST. NO. 2
MDS 404 SE
LANDS PATENTED UNDER SMALL TRACT ACT ARE NOW SUBJECT TO MINERAL LEASING



WARNING STATEMENT
This plat is the Bureau's Record of Title and should be used only as a graphic display of the township survey data. Records herein do not reflect title changes which may have been effected by lateral movements of rivers or other bodies of water. Refer to the cadastral surveys for official survey information.

Lat 34°25'15" N
Long 113°46'00" W

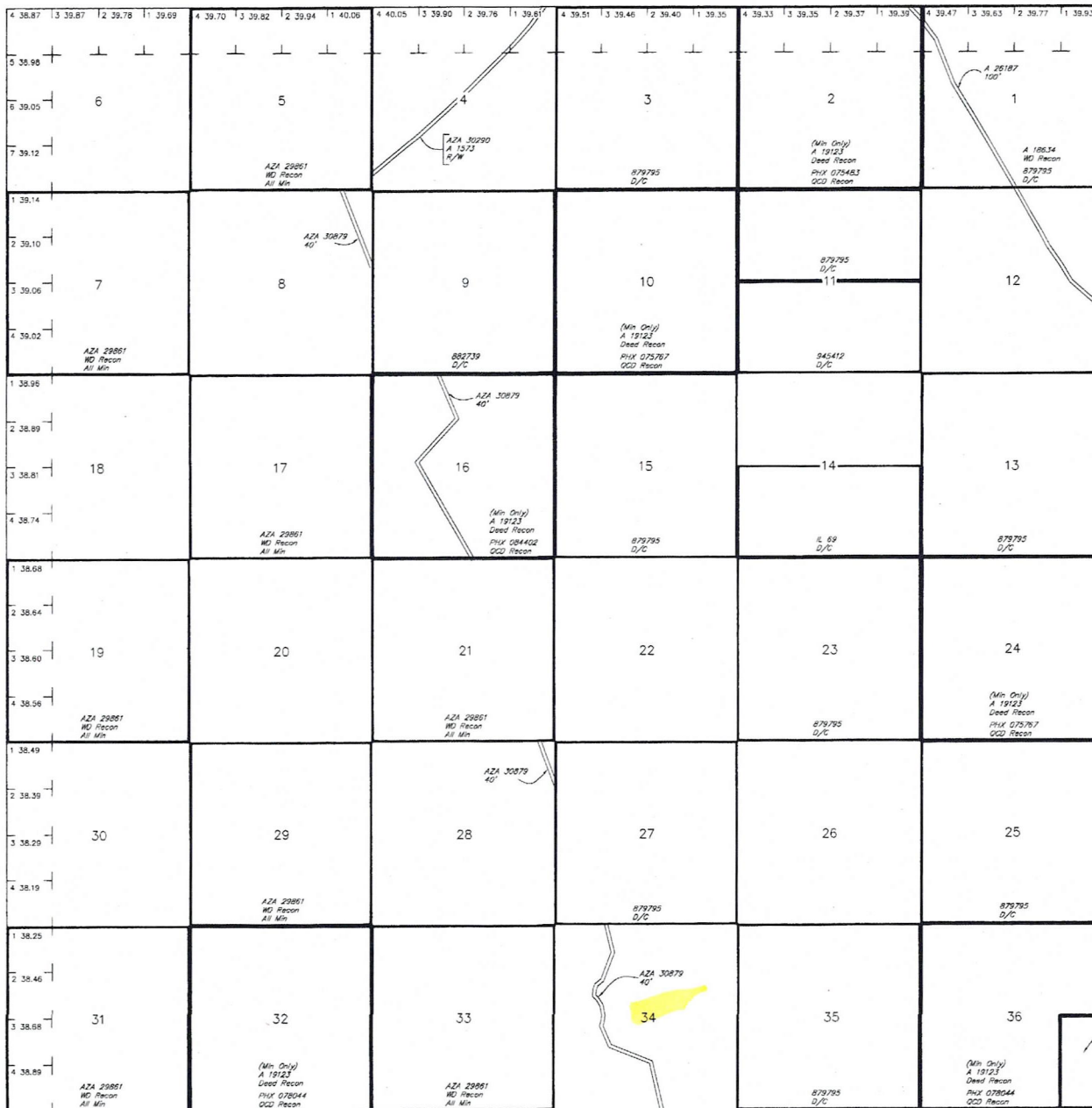
CURRENT TO	BY
3/18/1999	RE
10/13/2000	JB

T. 13 N.
R. 15 W.

TOWNSHIP 14 NORTH RANGE 15 WEST OF THE GILA AND SALT RIVER MERIDIAN, ARIZONA

MOHAVE COUNTY
KINGMAN FIELD OFFICE

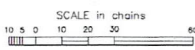
STATUS OF PUBLIC DOMAIN
LAND AND MINERAL TITLES



RESURVEY	ORIGINAL SURVEY		
TRACT NO	T	R	SUBDIVISION

FOR ORDERS AFFECTING DISPOSAL OR USE OF UNIDENTIFIED LANDS WITHDRAWN FOR CLASSIFICATION, MINERALS, WATER AND/OR OTHER PUBLIC PURPOSES, REFER TO INDEX OF MISCELLANEOUS DOCUMENTS.

Grazing Dist No 2



WARNING STATEMENT
This plot is the Bureau's Record of Title, and should be used only as a graphic display of the township survey data. Records herein do not reflect title changes which may have been affected by lateral movements of rivers or other bodies of water. Refer to the cadastral surveys for official survey information.

CURRENT TO	NW	T	14 N
6-22-2009	PV	R	15 W

Lat 34°30'28"N
Long 113°46'00"W

8704 6473 1362

0200

Form ID No.

FedEx Retrieval Copy

1 From
 Date 8-9-2011 Sender's FedEx Account Number 4513-5062-5

Sender's Name RANDY Mosley Phone 817 296-3877

Company UMED HOLDINGS, INC.

Address 117 WOODSTREAM CT.

City CRESSON State TX ZIP 76035

2 Your Internal Billing Reference

3 Recipient's Name BLM Phone 602 417-9200

Company BUREAU OF LAND MANAGEMENT
 HOLD Weekday Print FedEx location address below. NOT available for FedEx First Overnight. **31** HOLD Saturday Print FedEx location address below. Available ONLY for FedEx Priority Overnight and FedEx 2Day to select locations.

Address ONE NORTH CENTRAL AVENUE STE 800
 We cannot deliver to P.O. boxes or P.O. ZIP codes. Dept./Floor/Suite/Room

Address PHOENIX State AZ ZIP 85004
 Print FedEx location address here if a HOLD option is selected.

4a Express Package Service

* To most locations. Packages up to 150 lbs.

FedEx Priority Overnight Next business morning** Friday shipments will be delivered on Monday unless SATURDAY Delivery is selected. **5** FedEx Standard Overnight Next business afternoon.* Saturday Delivery NOT available. **6** FedEx First Overnight Earliest next business morning delivery to select locations.* Saturday Delivery NOT available.

3 FedEx 2Day Second business day.* Thursday shipments will be delivered on Monday unless SATURDAY Delivery is selected. **20** FedEx Express Saver Third business day.* Saturday Delivery NOT available.

4b Express Freight Service

** To most locations. Packages up to 1500 lbs.

7 FedEx 1Day Freight Next business day.** Friday shipments will be delivered on Monday unless SATURDAY Delivery is selected. FedEx 1Day Freight Booking No.

8 FedEx 2Day Freight Second business day.** Thursday shipments will be delivered on Monday unless SATURDAY Delivery is selected. **83** FedEx 3Day Freight Third business day.** Saturday Delivery is selected.

5 Packaging

* Declared value limit \$500.

FedEx Envelope* **2** FedEx Pak* Includes FedEx Small Pak, FedEx Large Pak, and FedEx Sturdy Pak. **3** FedEx Box **4** FedEx Tube

6 Special Handling and Delivery Signature Options

3 SATURDAY DELIVERY

No Signature Required Package may be left without obtaining a signature for delivery. **10** Direct Signature Someone at recipient's address may sign for delivery. *Fee applies.* **34** Indirect Signature If no one is available at recipient's address, someone at a neighboring address may sign for delivery. For residential deliveries only. *Fee applies.*

Does this shipment contain dangerous goods?

One box must be checked.

No **4** Yes As per attached Shipper's Declaration Yes Shipper's Declaration not required. **6** Dry Ice Dry Ice, 9, UN 1845 _____ x _____ kg. Dangerous goods (including dry ice) cannot be shipped in FedEx packaging or placed in a FedEx Express Drop Box. Cargo Aircraft Only

7 Payment Bill to:

1 Sender Acct. No. in Section 1 will be billed. **2** Recipient **3** Third Party **4** Credit Card **5** Cash/Check Obtain Recip. Acct. No.



Total Packages _____ Total Weight _____ lbs. Credit Card Auth. _____

*Our liability is limited to \$100 unless you declare a higher value. See the current FedEx Service Guide for details.

275 2 B
 1362
 08.10

fedex.com 1800.GoFedEx 1800.463.3339

GoFedEx 1800.463.3339



8704 6473 1362

554

Terms And Conditions

Definitions On this Airbill, "we," "our," "us," and "FedEx" refer to Federal Express Corporation, its employees, and agents. "You" and "your" refer to the sender, its employees, and agents.

Agreement To Terms By giving us your package to deliver, you agree to all the terms on this Airbill and in the current FedEx Service Guide, which is available upon request. You also agree to those terms on behalf of any third party with an interest in the package. If there is a conflict between the current FedEx Service Guide and this Airbill, the current FedEx Service Guide will control. No one is authorized to change the terms of our Agreement.

Responsibility For Packaging And Completing Airbill

You are responsible for adequately packaging your goods and properly filling out this Airbill. If you omit the number of packages and/or weight per package, our billing will be based on our best estimate of the number of packages we received and/or an estimated "default" weight per package as determined by us.

Responsibility For Payment Even if you give us different payment instructions, you will always be primarily responsible for all delivery costs, as well as any cost we incur in either returning your package to you or warehousing it pending disposition.

Limitations On Our Liability And Liabilities Not Assumed

- Our liability in connection with this shipment is limited to the lesser of your actual damages or \$100, unless you declare a higher value, pay an additional charge, and document your actual loss in a timely manner. You may pay an additional charge for each additional \$100 of declared value. The declared value does not constitute, nor do we provide, cargo liability insurance.
- In any event, we will not be liable for any damage, whether direct, incidental, special, or consequential, in excess of the declared value of a shipment, whether or not FedEx had knowledge that such damages might be incurred, including but not limited to loss of income or profits.

- We won't be liable:
 - for your acts or omissions, including but not limited to improper or insufficient packing, securing, marking, or addressing, or those of the recipient or anyone else with an interest in the package.
 - if you or the recipient violates any of the terms of our Agreement.
 - for loss of or damage to shipments of prohibited items.
 - for loss, damage, or delay caused by events we cannot control, including but not limited to acts of God, perils of the air, weather conditions, acts of public enemies, war, strikes, civil commotions, or acts of public authorities with actual or apparent authority.

Declared Value Limits

- The highest declared value allowed for a FedEx Envelope or FedEx Pak shipment is \$500.
- For other shipments, the highest declared value allowed is \$50,000 unless your package contains items of extraordinary value, in which case the highest declared value allowed is \$500.
- Items of extraordinary value include shipments containing such items as artwork, jewelry, furs, precious metals, negotiable instruments, and other items listed in the current FedEx Service Guide.
- You may send more than one package on this Airbill and fill in the total declared value for all packages, not to exceed the \$100, \$500, or \$50,000 per package limit described above. (Example: 5 packages can have a total declared value of up to \$250,000.) In that case, our liability is limited to the actual value of the package(s) lost or damaged, but may not exceed the maximum allowable declared value(s) or the total declared value, whichever is less. You are responsible for proving the actual loss or damage.

Filing A Claim YOU MUST MAKE ALL CLAIMS IN WRITING and notify us of your claim within strict time limits set out in the current FedEx Service Guide.

You may call our Customer Service department at 1.800.GoFedEx 1.800.463.3339 to report a claim; however, you must still file a timely written claim. We aren't obligated to act on any claim until you have paid all transportation charges, and you may not deduct the amount of your claim from those charges.

If the recipient accepts your package without noting any damage on the delivery record, we will assume the package was delivered in good condition. For us to process your claim, you must make the original shipping cartons and packing available for inspection.

Right To Inspect We may, at our option, open and inspect your packages before or after you give them to us to receive.

Right Of Rejection We reserve the right to reject a shipment when such shipment would be likely to cause delay or damage to other shipments, equipment, or personnel; or if the shipment is prohibited by law; or if the shipment would violate any terms of our Airbill or the current FedEx Service Guide.

C.O.D. Services C.O.D. SERVICE IS NOT AVAILABLE WITH THIS AIRBILL. If C.O.D. Service is required, please use a FedEx C.O.D. Airbill.

Air Transportation Tax Included A federal excise tax when required by the Internal Revenue Code on the air transportation portion of this service, if any, is paid by us.

Money-Back Guarantee In the event of untimely delivery, FedEx will, at your request and with some limitations, refund or credit all transportation charges. See the current FedEx Service Guide for more information.



Reusa

What is the weight limit for the FedEx® Envelope

0200 8704 6473 1362 WED - 10 AUG A1
 STANDARD OVERNIGHT
 XH ZSYA
 85004
 AZ-US
 PHX
 Emp# 160010 09AUG11 MHLA 50FCL/EE7/FSF4

FedEx US Airbill Express

8704 6473 1362

0200

Form ID No.

FedEx Retrieval Copy

fedex.com 1.800.GoFedEx 1.800.463.3339

1 From Date 8-9-2011 Sender's FedEx Account Number 4513-5062-5
 Sender's Name RANDY Moseley Phone 817 296-3877
 Company UMED HOLDINGS, INC.
 Address 119 WOODSTREAM CT.
 City CRESSON State TX ZIP 76035

2 Your Internal Billing Reference
 3 To Recipient's Name BLM Phone 602 417-9200
 Company BUREAU OF LAND MANAGEMENT
 Address ONE NORTH CENTRAL AVENUE STE 800
 City PHOENIX State AZ ZIP 85004

4a Express Package Service
 FedEx Priority Overnight
 FedEx Standard Overnight
 FedEx 2Day
 FedEx Express Saver
 4b Express Freight Service
 FedEx 1Day Freight
 FedEx 2Day Freight
 FedEx 3Day Freight
 5 Packaging
 FedEx Envelope*
 FedEx Pak*
 FedEx Box 4
 FedEx Tube 1

6 Special Handling and Delivery Signature Options
 3 SATURDAY DELIVERY
 No Signature Required
 Direct Signature
 Indirect Signature
 No 4
 Yes
 Yes
 Dry Ice
 Cargo Aircraft Only

7 Payment Bill to:
 Sender
 Recipient
 Third Party
 Credit Card
 Cash/Check
 Total Packages Total Weight
 554

RT 275 2 B 1362 08.10

1.800.GoFedEx 1.800.463.3339

RECEIVED
BIRMINGHAM
2011 AUG 10 A 09:39



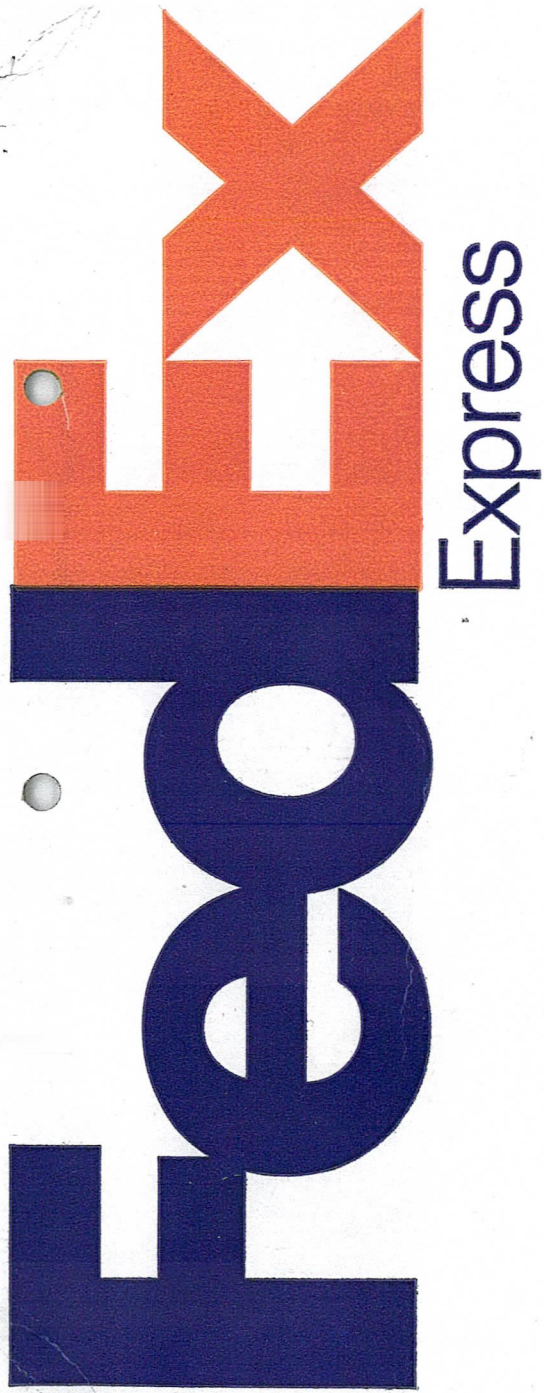
8704 6473 1362

Rev. Date 2/08/Part #150201/01/94-2009 FedEx® PRINTED IN U.S.A. SBY

01346-1008

Go to fedex.com, or call 1.800.GoFedEx 1.800.463.3339 for U.S. domestic shipments, 1.800.247.4747 for international shipments. Call your local FedEx office if you are outside the U.S.

© 2005 FedEx 150011 REV 10/05 RT



TO REUSE: Cover or mark through any previous s

Align top of FedEx Express Shipping

The World On Time.

Reusable Envelope

For FedEx Express® Shipments Only

PHOENIX, ARIZONA
2011 AUG 10 A 9:49
DL M A

Align bottom of Peel and Stick Airbill o